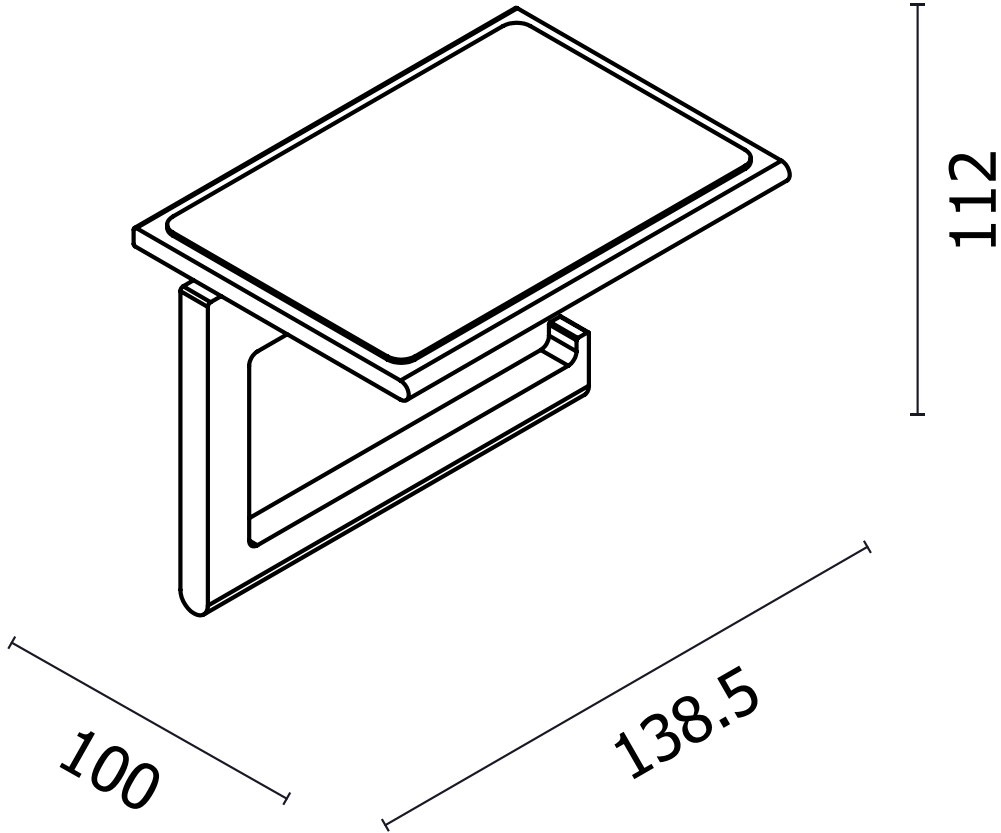
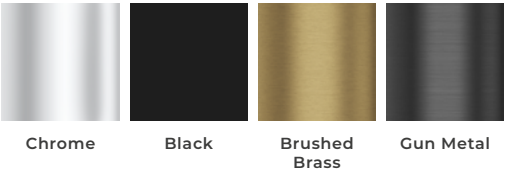


Kallan Toilet Roll Holder



COLOUR OPTIONS:



Please note due to manufacturing tolerances pipe centres may vary by +/- 10mm, we recommend that pipe work is not altered until your towel rail / radiator is on site. The information contained on this page was correct at date of issue. Fitting dimensions are provided as a guide only. We pursue a policy of continuing improvement in design and performance of our products and so reserve the right to change specifications without prior notice.