

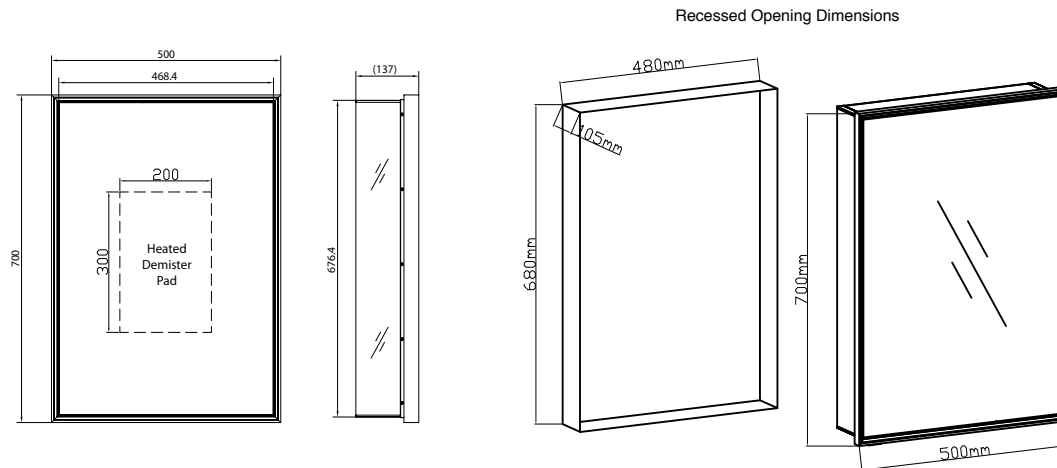
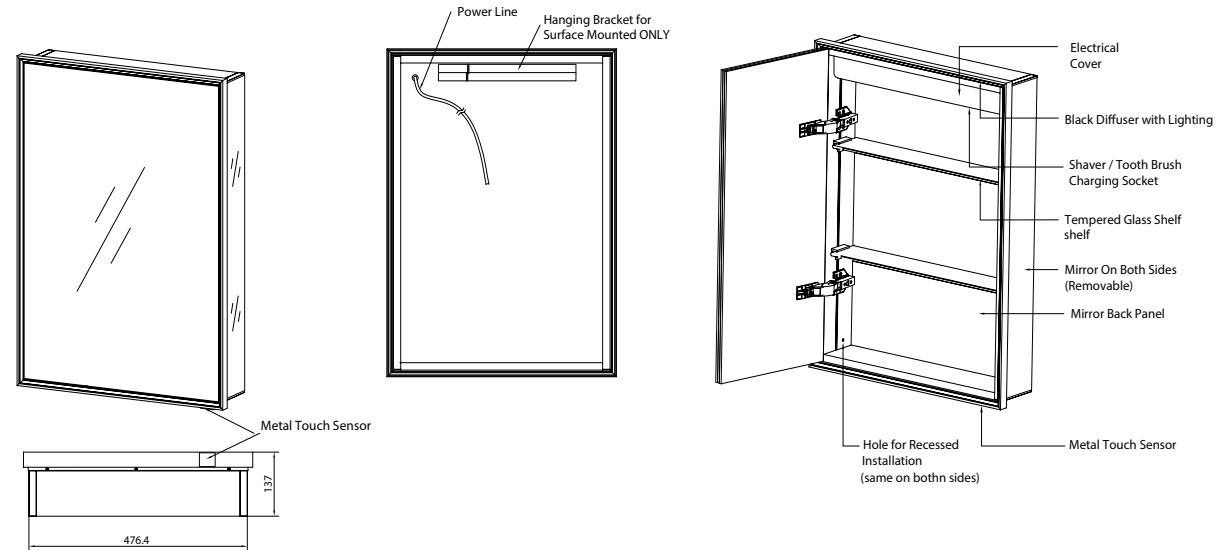
Corey 50 - LED Frame Mirror Cabinet

SIZE: H 700 x W 500 x D 137mm

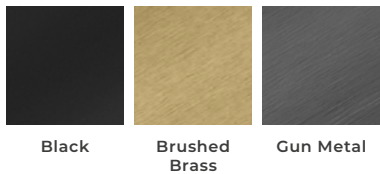
NET WEIGHT: 13.85 Kg

FEATURES:

- LED Frame Mirror Cabinet
- Wall Mounted or Recessed
- Mirror Sides (Removable)
- Multi Functional Metal Touch Sensor Controls Light from Cool - Warm & Brightness with Memory Function
- Ambient Lighting
- Heated Demister Pad
- 2 Adjustable Shelves
- Charging Socket
- IP44 Rating



FRAME COLOUR OPTIONS:



The information contained on this page was correct at date of issue. Fitting dimensions are provided as a guide only. Some variation may occur due to manufacturing tolerances. We pursue a policy of continuing improvement in design and performance of our products and so reserve the right to change specifications without prior notice.