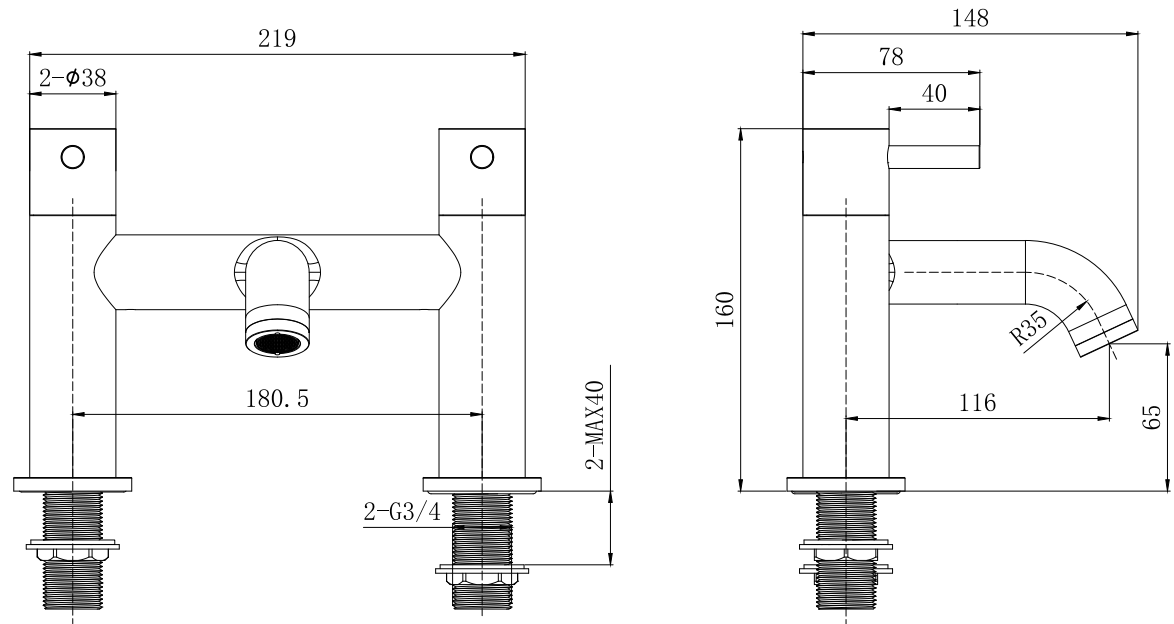
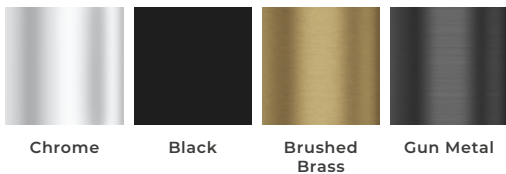


CONSTRUCTION	Brass Body
PRODUCT TYPE	Contemporary
WATER PRESSURE	Min. 0.5 Bar, Max. 6.0 Bar
PLUMBING SYSTEMS	Suitable for all plumbing systems, Hot and Cold water pressure preferably balanced. Max. supply pressure differential requirement no greater than 5:1
STANDARDS	Complies with BS5412, BS EN200
CERTIFICATION	Manufactured to Comply with WRAS
CARTRIDGE	1/4 Turn G1/2" Ceramic disc valves
FITTING	Easy Fit Lock Nut
FLEXI TAILS	Brass G3/4" BSP tails



COLOUR OPTIONS:



Flow Rates (Litres per minute)

SYSTEM PRESSURE	0.1 Bar	0.2 Bar	0.3 Bar	0.5 Bar	1.0 Bar	1.5 Bar	2.0 Bar	3.0 Bar	4.0 Bar	5.0 Bar
	-	-	-	5.6	9.3	-	14.2	17.7	20.6	23.3



The information contained on this page was correct at date of issue. Fitting dimensions are provided as a guide only. Some variation may occur due to manufacturing tolerances. We pursue a policy of continuing improvement in design and performance of our products and so reserve the right to change specifications without prior notice.