

# Combi Round Standard Worktop Basin 1254 RH

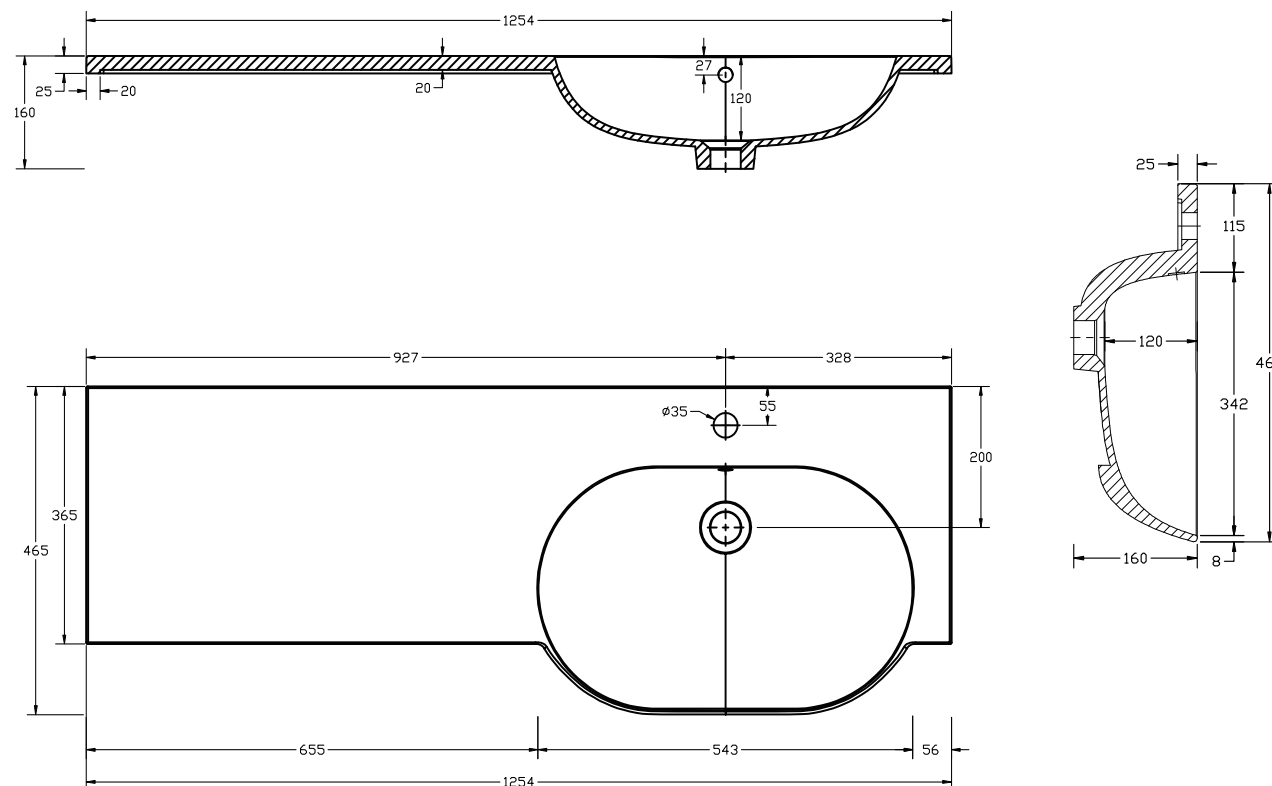
**SIZE(mm):** W 1254 x D 465 X H 160

**CODE:** MLCORD12RHBA

**TAP HOLE(S):** Pre-drilled underneath for an offset or middle tap hole.

**MATERIAL:** Resin

**ORIENTATION:** Right Hand



## **Please Note:**

*1254mm Combi Round Worktop Basin is to be used exclusively with 600mm Fitted Furniture Basin Units, leaving adequate space for 600mm of Furniture (Storage or WC) and two end panels.*

The information contained on this page was correct at date of issue. Fitting dimensions are provided as a guide only. Some variation may occur due to manufacturing tolerances. We pursue a policy of continuing improvement in design and performance of our products and so reserve the right to change specifications without prior notice.