

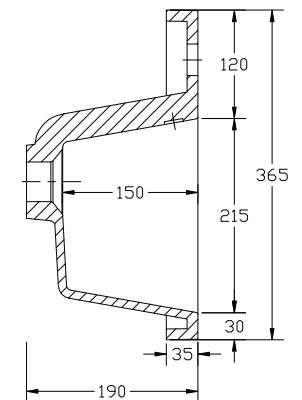
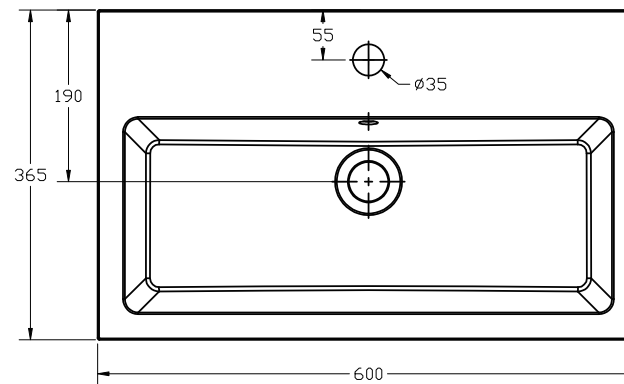
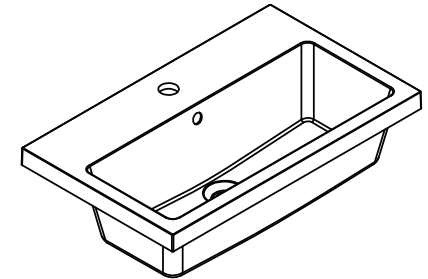
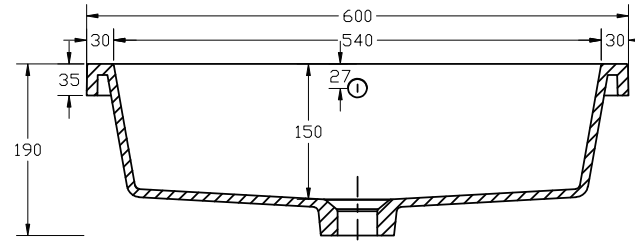
# Stark Inline 600 Basin

**SIZE(mm):** W 600 x D 365 X H 190

**CODE:** MLST60IRBA

**TAP HOLE(S):** One

**MATERIAL:** Resin



The information contained on this page was correct at date of issue. Fitting dimensions are provided as a guide only. Some variation may occur due to manufacturing tolerances. We pursue a policy of continuing improvement in design and performance of our products and so reserve the right to change specifications without prior notice.