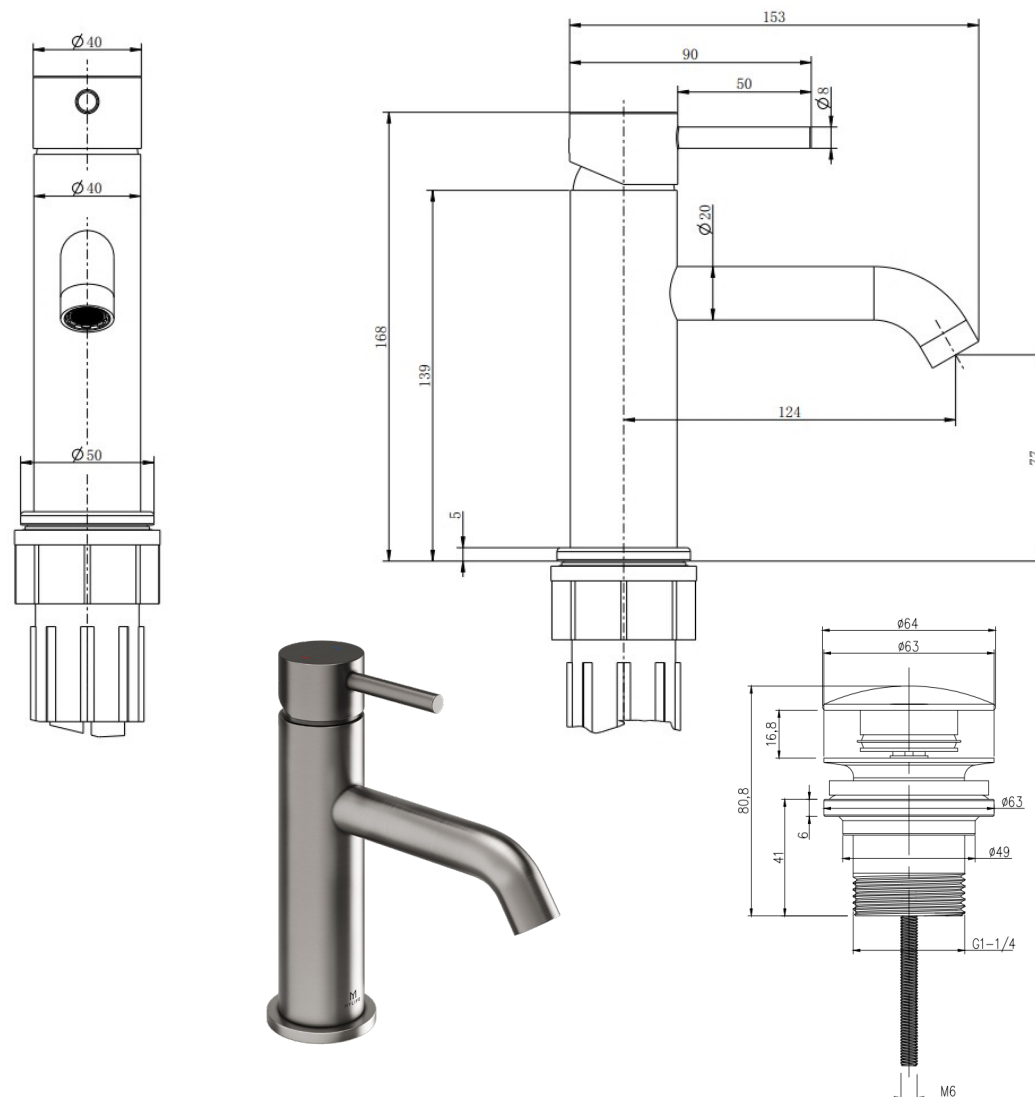


# Ryver - Gun Metal Basin Mono c/w Universal Waste

<b>CONSTRUCTION</b>	Brass Body
<b>FINISHES</b>	Gun Metal PVD Finish
<b>PRODUCT TYPE</b>	Contemporary
<b>WATER PRESSURE</b>	Min. 0.2 Bar, Max. 6.0 Bar
<b>PLUMBING SYSTEMS</b>	Suitable for all plumbing systems, Hot and Cold water pressure preferably balanced. Max. supply pressure differential requirement no greater than 5:1
<b>STANDARDS</b>	Complies with BS 6920, BS EN 200
<b>CERTIFICATION</b>	Manufactured to Comply with WRAS (approval pending)
<b>CARTRIDGE</b>	Citec Cartridge
<b>AERATOR</b>	Neoperl Aerator
<b>FITTING</b>	Easy Fit Lock Nut
<b>FLEXI TAILS</b>	Tucaí WRAS
<b>WASTE</b>	Universal Waste
<b>MORE INFO</b>	Screw in Brass Base Ring 5mm



## Flow Rates (Litres per minute)

SYSTEM PRESSURE	0.1 Bar	0.2 Bar	0.3 Bar	0.5 Bar	1.0 Bar	1.5 Bar	2.0 Bar	3.0 Bar	4.0 Bar	5.0 Bar
	1.98	2.9	3.24	4.10	5.72	-	8.07	9.81	11.31	12.74

The information contained on this page was correct at date of issue. Fitting dimensions are provided as a guide only. Some variation may occur due to manufacturing tolerances. We pursue a policy of continuing improvement in design and performance of our products and so reserve the right to change specifications without prior notice.