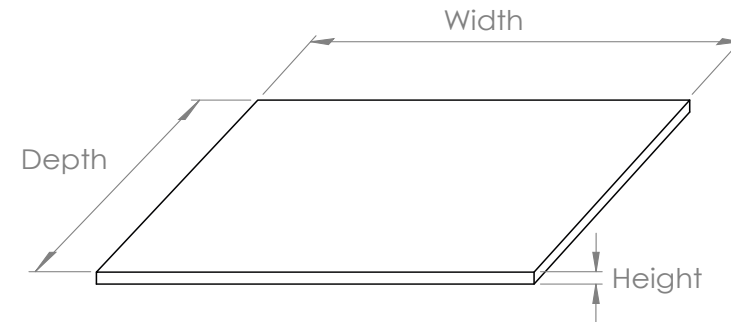


# Grey Fleck Solid Surface Worktop

**FINISH:** Grey Fleck

**ADDITIONAL INFORMATION:** Suitable for Fitted Furniture. Comes as Slimline and Standard Depths.



Code	Type	Width(mm)	Depth(mm)	Height(mm)
MLST126SSWTGR	Standard	1260	365	12
MLSS126SSWTGR	Slimline	1260	240	12
MLST156SSWTGR	Standard	1560	365	12
MLSS156SSWTGR	Slimline	1560	240	12
MLST200SSWTGR	Standard	2000	365	12
MLSS200SSWTGR	Slimline	2000	240	12

The information contained on this page was correct at date of issue. Fitting dimensions are provided as a guide only. Some variation may occur due to manufacturing tolerances. We pursue a policy of continuing improvement in design and performance of our products and so reserve the right to change specifications without prior notice.