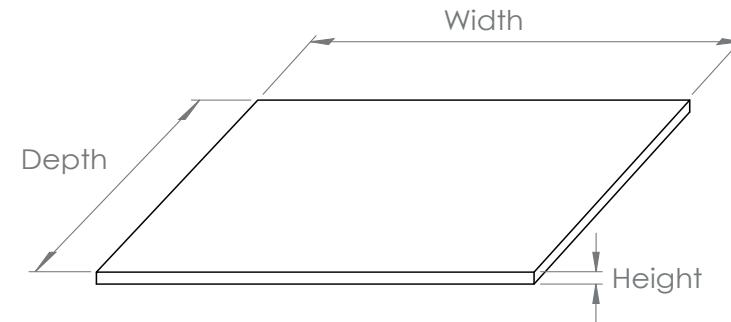


Carrara Solid Surface Worktop

FINISH: Carrara Marble

ADDITIONAL INFORMATION: Suitable for Fitted Furniture. Comes as Slimline and Standard Depths.



Code	Type	Width(mm)	Depth(mm)	Height(mm)
MLST126SSWTCA	Standard	1260	365	12
MLSS126SSWTCA	Slimline	1260	240	12
MLST156SSWTCA	Standard	1560	365	12
MLSS156SSWTCA	Slimline	1560	240	12
MLST200SSWTCA	Standard	2000	365	12
MLSS200SSWTCA	Slimline	2000	240	12

The information contained on this page was correct at date of issue. Fitting dimensions are provided as a guide only. Some variation may occur due to manufacturing tolerances. We pursue a policy of continuing improvement in design and performance of our products and so reserve the right to change specifications without prior notice.