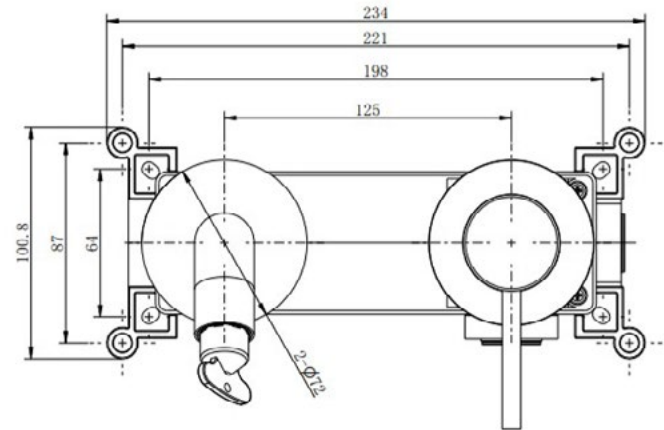
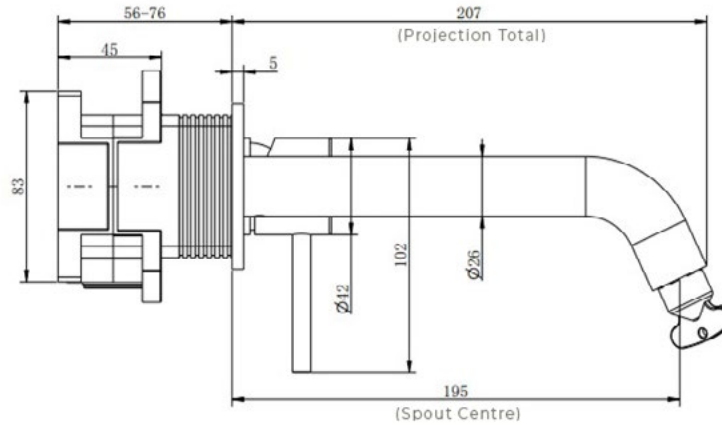


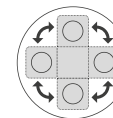
# Ryver - Brushed Brass Easy-Plumb Wall Mounted Bath Filler (Excludes Waste)

<b>CONSTRUCTION</b>	Brass Body
<b>FINISHES</b>	Brushed Brass PVD Finish
<b>PRODUCT TYPE</b>	Contemporary
<b>WATER PRESSURE</b>	Min. 1.0 Bar, Max. 6.0 Bar
<b>PLUMBING SYSTEMS</b>	Suitable for all plumbing systems, Hot and Cold water pressure preferably balanced. Max. supply pressure differential requirement no greater than 5:1
<b>STANDARDS</b>	Complies with BS 6920, BS EN 200
<b>CERTIFICATION</b>	Manufactured to Comply with WRAS (approval pending)
<b>CARTRIDGE</b>	Hansen Cartridge
<b>AERATOR</b>	Flow Straightener
<b>FITTING</b>	Easy-Plumb Box
<b>FLEXI TAILS</b>	N/A
<b>WASTE</b>	Excludes Waste
<b>MORE INFO</b>	Interchangeable design for horizontal & vertical installation



## Flow Rates (Litres per minute)

SYSTEM PRESSURE	0.1 Bar	0.2 Bar	0.3 Bar	0.5 Bar	1.0 Bar	1.5 Bar	2.0 Bar	3.0 Bar	4.0 Bar	5.0 Bar
	3.4	4.9	6.1	8.2	11.9	14.7	17.2	21.4	24.9	27.9



Interchangeable Design for Horizontal & Vertical Installation

The information contained on this page was correct at date of issue. Fitting dimensions are provided as a guide only. Some variation may occur due to manufacturing tolerances. We pursue a policy of continuing improvement in design and performance of our products and so reserve the right to change specifications without prior notice.