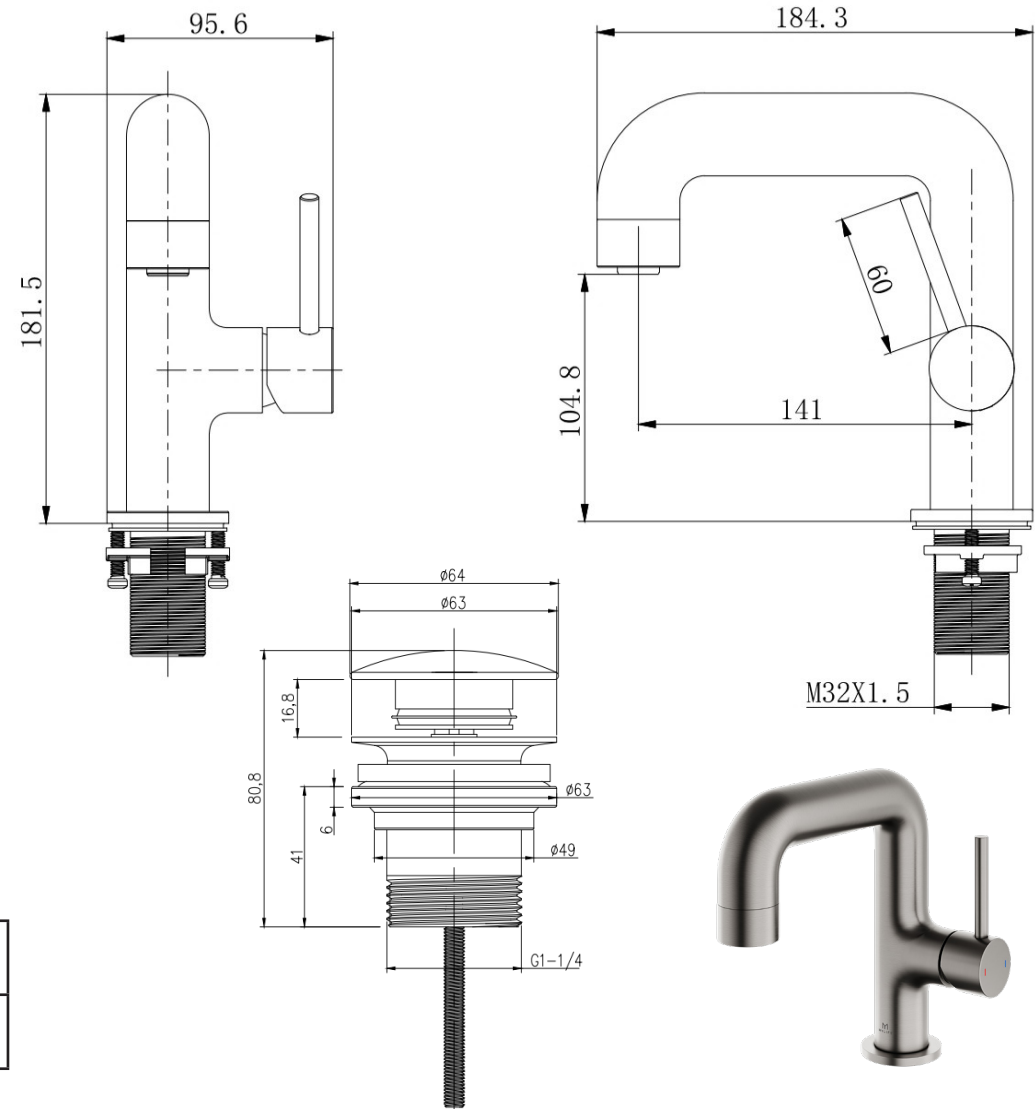


Ryver - Gun Metal Side Lever Basin Mono c/w Universal Waste

CONSTRUCTION	Brass Body
FINISHES	Gun Metal PVD Finish
PRODUCT TYPE	Contemporary
WATER PRESSURE	Min. 0.2 Bar, Max. 6.0 Bar
PLUMBING SYSTEMS	Suitable for all plumbing systems, Hot and Cold water pressure preferably balanced. Max. supply pressure differential requirement no greater than 5:1
STANDARDS	Complies with BS 6920, BS EN 200
CERTIFICATION	Manufactured to Comply with WRAS (approval pending)
CARTRIDGE	Citec Cartridge
AERATOR	Neoperl Aerator
FITTING	Easy Fit Lock Nut
FLEXI TAILS	Tucaí WRAS
WASTE	Universal Waste
MORE INFO	Screw in Brass Base Ring 5mm



Flow Rates (Litres per minute)

SYSTEM PRESSURE	0.1 Bar	0.2 Bar	0.3 Bar	0.5 Bar	1.0 Bar	1.5 Bar	2.0 Bar	3.0 Bar	4.0 Bar	5.0 Bar
	2.18	-	3.54	4.52	6.34	-	8.89	10.91	12.62	14.07



The information contained on this page was correct at date of issue. Fitting dimensions are provided as a guide only. Some variation may occur due to manufacturing tolerances. We pursue a policy of continuing improvement in design and performance of our products and so reserve the right to change specifications without prior notice.