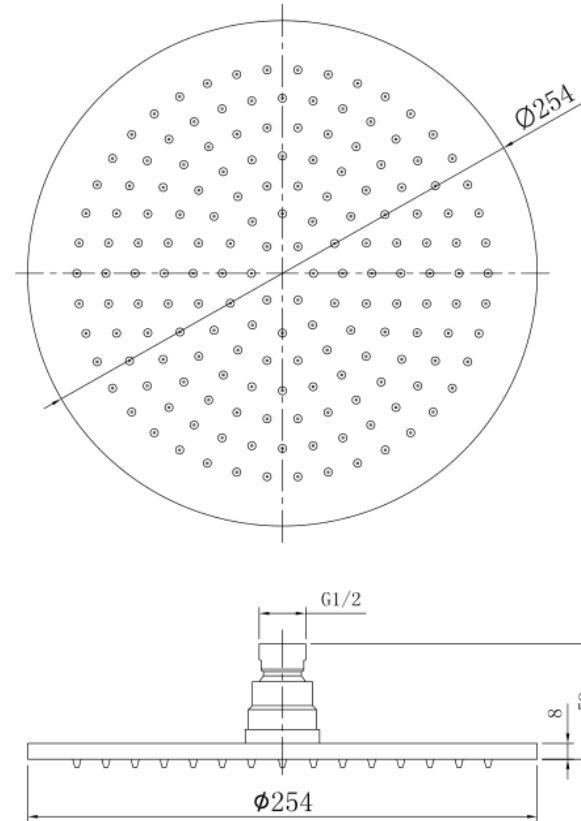


Ryver - Brass Shower Head 250mm

PRODUCT CODES	MLSHRYSHCP - Chrome MLSHRYSHBL - Matt Black MLSHRYSHBB - Brushed Brass MLSHRYSHGM - Gun Metal
CONSTRUCTION	Brass Body (CuZn38Pb18)
FINISHES	Chrome Plated Matt Black Electro Plated Brushed Brass PVD Finish Gun Metal PVD Finish
PRODUCT TYPE	Contemporary
WATER PRESSURE	Min 0.2bar and Max 6.0bar
PLUMBING SYSTEMS	Suitable for all plumbing systems, preferably balanced. Min. supply pressure differential requirement is 5:1
FITTING	G1/2"
ADDITIONAL INFORMATION	Rub-clean rubber nozzles Swivel connector



Chrome



Matt Black



Brushed Brass



Gun Metal

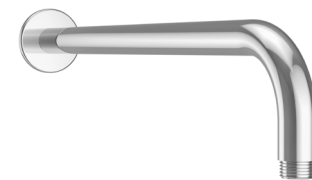
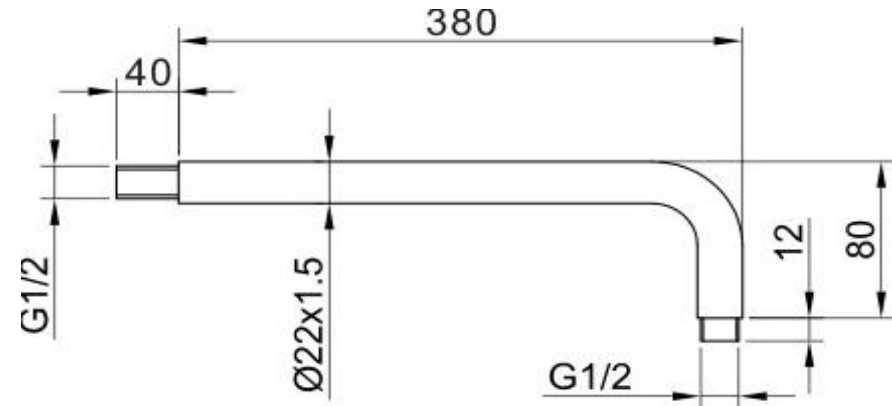
Flow Rates (Litres per minute)

SYSTEM PRESSURE	0.1 Bar	0.2 Bar	0.3 Bar	0.5 Bar	1.0 Bar	1.5 Bar	2.0 Bar	3.0 Bar	4.0 Bar	5.0 Bar
	6.1	8.6	10.7	14.9	17.0	19.2	21.0	24.0	27.1	29.6

The information contained on this page was correct at date of issue. Fitting dimensions are provided as a guide only. Some variation may occur due to manufacturing tolerances. We pursue a policy of continuing improvement in design and performance of our products and so reserve the right to change specifications without prior notice.

Ryver - Shower Arm 380mm

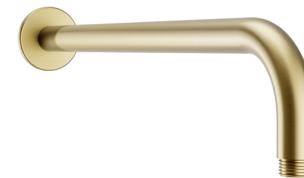
PRODUCT CODES	MLSHRYSACP - Chrome MLSHRYSABL - Matt Black MLSHRYSABB - Brushed Brass MLSHRYSAGM - Gun Metal
CONSTRUCTION	Brass Body (CuZn38Pb18)
FINISHES	Chrome Plated Matt Black Electro Plated Brushed Brass PVD Finish Gun Metal PVD Finish
PRODUCT TYPE	Contemporary
WATER PRESSURE	Min 0.2bar and Max 6.0bar
PLUMBING SYSTEMS	Suitable for all plumbing systems, preferably balanced. Min. supply pressure differential requirement is 5:1
FITTING	G1/2"



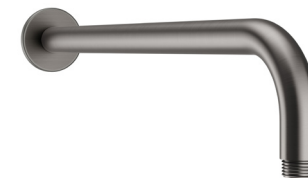
Chrome



Matt Black



Brushed Brass

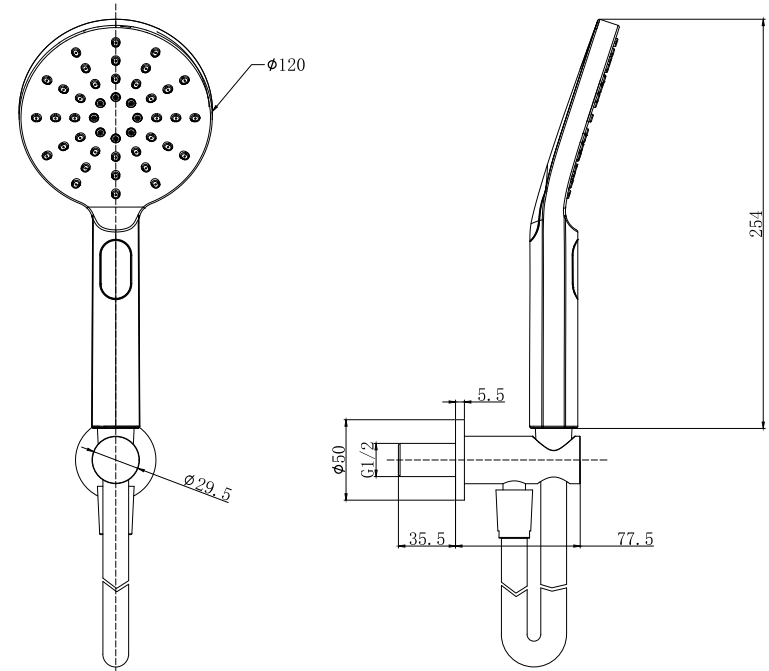


Gun Metal

The information contained on this page was correct at date of issue. Fitting dimensions are provided as a guide only. Some variation may occur due to manufacturing tolerances. We pursue a policy of continuing improvement in design and performance of our products and so reserve the right to change specifications without prior notice.

Ryver - Wall Outlet & Handset Holder Kit

PRODUCT CODES	MLSHRYWHKCP - Chrome MLSHRYWHKBL - Matt Black MLSHRYWHKBB - Brushed Brass MLSHRYWHKGM - Gun Metal
CONSTRUCTION	Brass & ABS
FINISHES	Chrome Plated Matt Black Electro Plated Brushed Brass PVD Finish Gun Metal PVD Finish
PRODUCT TYPE	Contemporary
WATER PRESSURE	Min 0.2 bar and Max 6.0 bar
PLUMBING SYSTEMS	Suitable for all plumbing systems, preferably balanced. Min. supply pressure differential requirement is 5:1
FITTING	G1/2"
ADDITIONAL INFO	Triple Function Push Button Handset 1.5m PVC Antibacterial Hose Integrated Brass Wall Elbow



Chrome



Matt Black



Brushed Brass

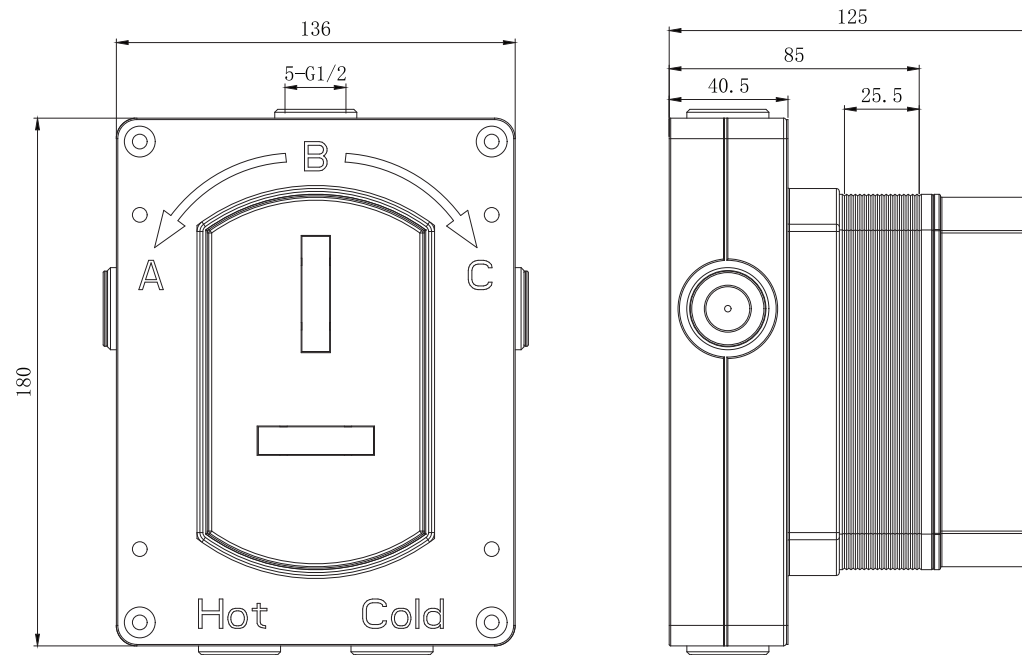


Gun Metal

The information contained on this page was correct at date of issue. Fitting dimensions are provided as a guide only. Some variation may occur due to manufacturing tolerances. We pursue a policy of continuing improvement in design and performance of our products and so reserve the right to change specifications without prior notice.

Universal Easy-Plumb Concealed Valve Box

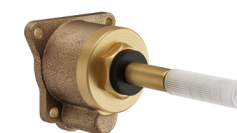
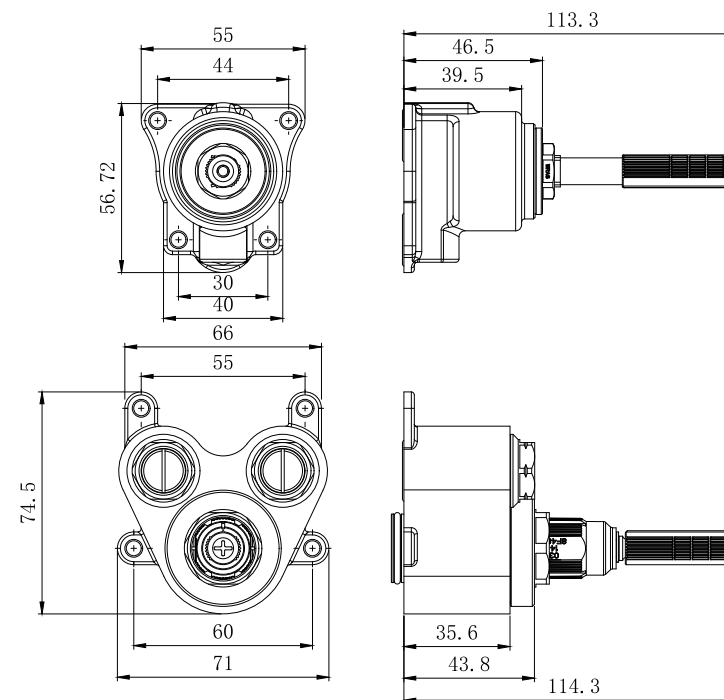
CODE	MLSHUCVB
CONSTRUCTION	Brass Body (CuZn38b18)+ABS BOX
PRODUCT TYPE	Contemporary
PLUMBING SYSTEMS	Suitable for all plumbing systems, preferably balanced. Min. supply pressure differential requirement is 5:1
STANDARDS	Complies with BSEN 1111
FITTING	Easy First Fix



The information contained on this page was correct at date of issue. Fitting dimensions are provided as a guide only. Some variation may occur due to manufacturing tolerances. We pursue a policy of continuing improvement in design and performance of our products and so reserve the right to change specifications without prior notice.

Thermostatic Mixer Valve & Diverter - 2 Outlet

CODE	MLSH2OTMVD
CONSTRUCTION	Brass Body (CuZn38b18)
FINISHES	Brass
PRODUCT TYPE	Contemporary
WATER PRESSURE	Min. 1.0 bar, Max. 6.0 bar
PLUMBING SYSTEMS	Suitable for all plumbing systems, preferably balanced. Min. supply pressure differential requirement is 5:1
STANDARDS	Complies with BSEN 1111
CARTRIDGE	Vernet Thermostatic Cartridge
DIVERTER	Citec Diverter
ADDITIONAL INFO	<ol style="list-style-type: none"> 1. Temperature: Pre-set 38°C, with push button override to 48°C 2. Automatic shut off in the event of hot or cold water supply failure



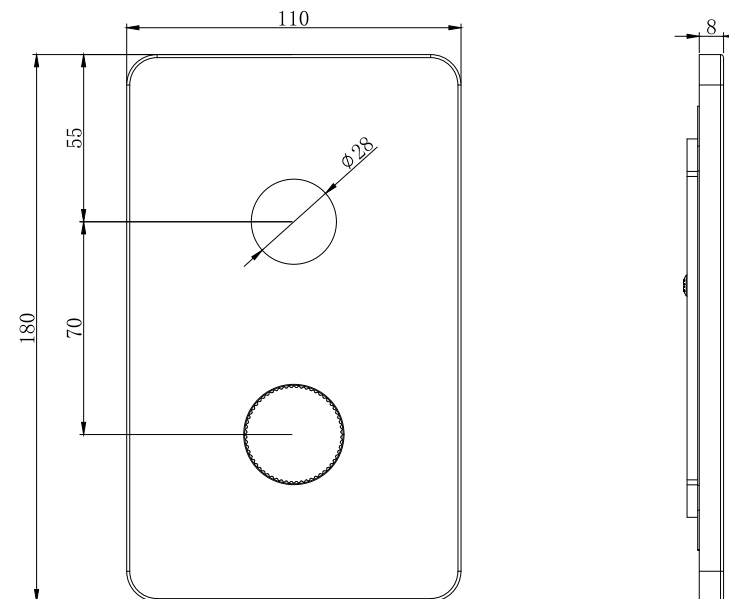
Flow Rates (Litres per minute)

SYSTEM PRESSURE	0.1 Bar	0.2 Bar	0.3 Bar	0.5 Bar	1.0 Bar	1.5 Bar	2.0 Bar	3.0 Bar	4.0 Bar	5.0 Bar
	4.5	5.9	7.0	8.9	12.4	-	17.3	21.4	24.8	27.8

The information contained on this page was correct at date of issue. Fitting dimensions are provided as a guide only. Some variation may occur due to manufacturing tolerances. We pursue a policy of continuing improvement in design and performance of our products and so reserve the right to change specifications without prior notice.

Concealed Shower 2 Outlet Wall Plate

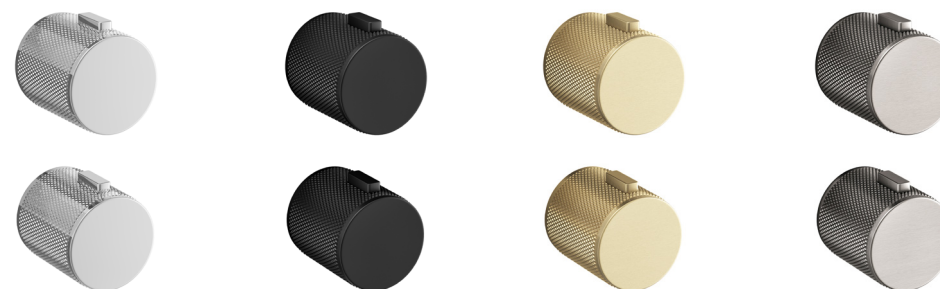
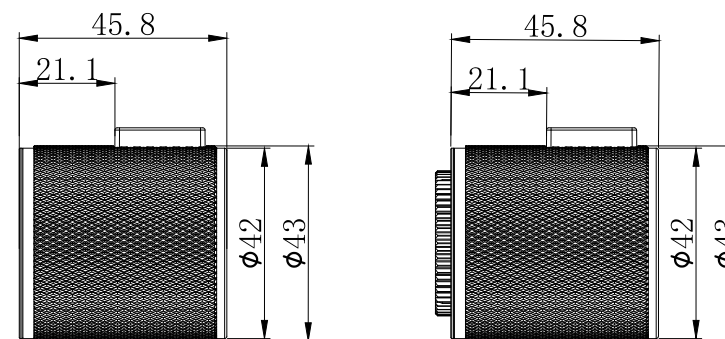
CODES	<ul style="list-style-type: none"> • MLSH2OWPCP • MLSH2OWPBL • MLSH2OWPBB • MLSH2OWPGM
CONSTRUCTION	Brass Body (CuZn38b18)
FINISHES	<ul style="list-style-type: none"> • Chrome • Matt Black • Brushed Brass • Gun Metal
PRODUCT TYPE	Contemporary
STANDARDS	Complies with BSEN 1111
ADDITIONAL INFO	For use with two shower outlets



The information contained on this page was correct at date of issue. Fitting dimensions are provided as a guide only. Some variation may occur due to manufacturing tolerances. We pursue a policy of continuing improvement in design and performance of our products and so reserve the right to change specifications without prior notice.

Ryver Round Concealed Valve Knurled Handle Pack

CODES	<ul style="list-style-type: none"> • MLSHRYCVKHPCP • MLSHRYCVKHPBL • MLSHRYCVKHPBB • MLSHRYCVKHPPGM
CONSTRUCTION	Brass Body (CuZn38b18)
FINISHES	<ul style="list-style-type: none"> • Chrome • Matt Black • Brushed Brass • Gun Metal
PRODUCT TYPE	Contemporary
STANDARDS	Complies with BSEN 1111
ADDITIONAL INFO	Pack of 2 Round Knurled Concealed Valve Handles



The information contained on this page was correct at date of issue. Fitting dimensions are provided as a guide only. Some variation may occur due to manufacturing tolerances. We pursue a policy of continuing improvement in design and performance of our products and so reserve the right to change specifications without prior notice.