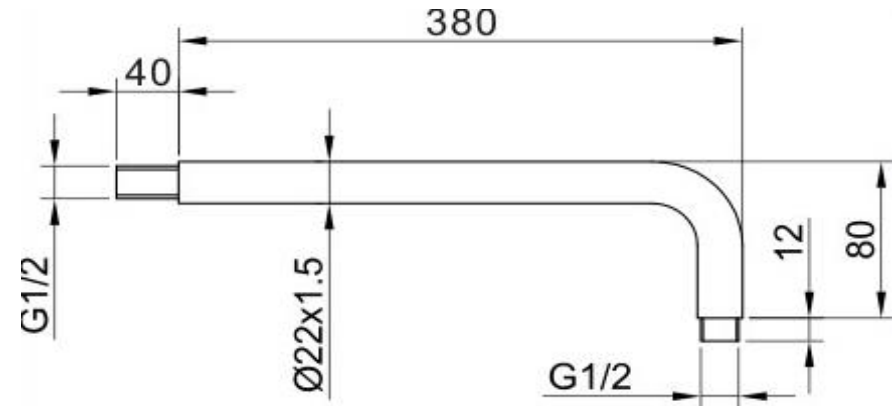


# Ryver - Shower Arm 380mm

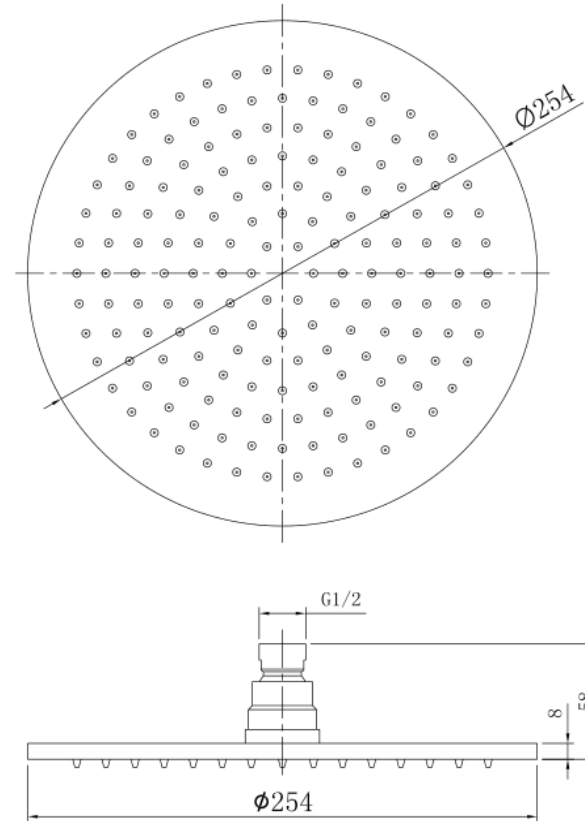
<b>PRODUCT CODES</b>	MLSHRYSACP - Chrome MLSHRYSABL - Matt Black MLSHRYSABB - Brushed Brass MLSHRYSAGM - Gun Metal
<b>CONSTRUCTION</b>	Brass Body (CuZn38Pb18)
<b>FINISHES</b>	Chrome Plated Matt Black Electro Plated Brushed Brass PVD Finish Gun Metal PVD Finish
<b>PRODUCT TYPE</b>	Contemporary
<b>WATER PRESSURE</b>	Min 0.2bar and Max 6.0bar
<b>PLUMBING SYSTEMS</b>	Suitable for all plumbing systems, preferably balanced. Min. supply pressure differential requirement is 5:1
<b>FITTING</b>	G1/2"



The information contained on this page was correct at date of issue. Fitting dimensions are provided as a guide only. Some variation may occur due to manufacturing tolerances. We pursue a policy of continuing improvement in design and performance of our products and so reserve the right to change specifications without prior notice.

# Ryver - Brass Shower Head 250mm

<b>PRODUCT CODES</b>	MLSHRYSHCP - Chrome MLSHRYSHBL - Matt Black MLSHRYSHBB - Brushed Brass MLSHRYSHGM - Gun Metal
<b>CONSTRUCTION</b>	Brass Body (CuZn38Pb18)
<b>FINISHES</b>	Chrome Plated Matt Black Electro Plated Brushed Brass PVD Finish Gun Metal PVD Finish
<b>PRODUCT TYPE</b>	Contemporary
<b>WATER PRESSURE</b>	Min 0.2bar and Max 6.0bar
<b>PLUMBING SYSTEMS</b>	Suitable for all plumbing systems, preferably balanced. Min. supply pressure differential requirement is 5:1
<b>FITTING</b>	G1/2"
<b>ADDITIONAL INFORMATION</b>	Rub-clean rubber nozzles Swivel connector



Chrome



Matt Black



Brushed Brass



Gun Metal

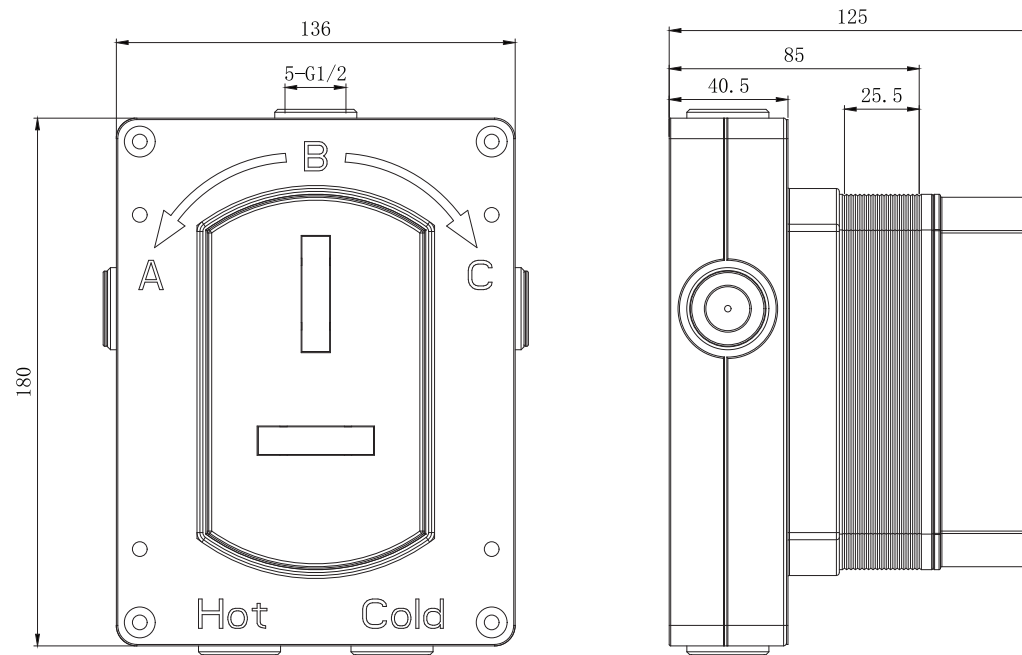
## Flow Rates (Litres per minute)

SYSTEM PRESSURE	0.1 Bar	0.2 Bar	0.3 Bar	0.5 Bar	1.0 Bar	1.5 Bar	2.0 Bar	3.0 Bar	4.0 Bar	5.0 Bar
	6.1	8.6	10.7	14.9	17.0	19.2	21.0	24.0	27.1	29.6

The information contained on this page was correct at date of issue. Fitting dimensions are provided as a guide only. Some variation may occur due to manufacturing tolerances. We pursue a policy of continuing improvement in design and performance of our products and so reserve the right to change specifications without prior notice.

# Universal Easy-Plumb Concealed Valve Box

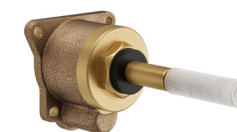
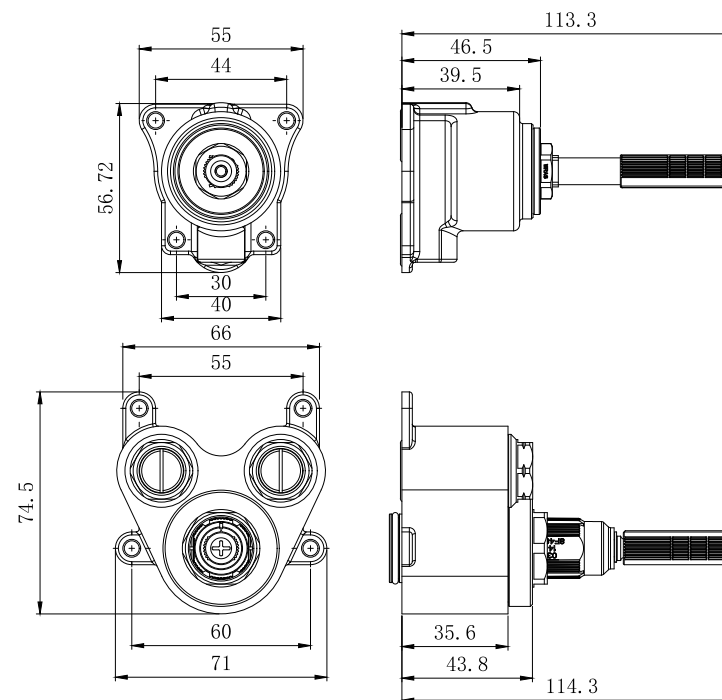
<b>CODE</b>	MLSHUCVB
<b>CONSTRUCTION</b>	Brass Body (CuZn38b18)+ABS BOX
<b>PRODUCT TYPE</b>	Contemporary
<b>PLUMBING SYSTEMS</b>	Suitable for all plumbing systems, preferably balanced. Min. supply pressure differential requirement is 5:1
<b>STANDARDS</b>	Complies with BSEN 1111
<b>FITTING</b>	Easy First Fix



The information contained on this page was correct at date of issue. Fitting dimensions are provided as a guide only. Some variation may occur due to manufacturing tolerances. We pursue a policy of continuing improvement in design and performance of our products and so reserve the right to change specifications without prior notice.

# Thermostatic Mixer Valve & Diverter - 1 Outlet

<b>CODE</b>	MLSH10TMVD
<b>CONSTRUCTION</b>	Brass Body (CuZn38b18)
<b>FINISHES</b>	Brass
<b>PRODUCT TYPE</b>	Contemporary
<b>WATER PRESSURE</b>	Min. 1.0 bar, Max. 6.0 bar
<b>PLUMBING SYSTEMS</b>	Suitable for all plumbing systems, preferably balanced. Min. supply pressure differential requirement is 5:1
<b>STANDARDS</b>	Complies with BSEN 1111
<b>CARTRIDGE</b>	Vernet Thermostatic Cartridge
<b>DIVERTER</b>	Citec Diverter
<b>ADDITIONAL INFO</b>	<ol style="list-style-type: none"> <li>Temperature: Pre-set 38°C, with push button override to 48°C</li> <li>Automatic shut off in the event of hot or cold water supply failure</li> </ol>



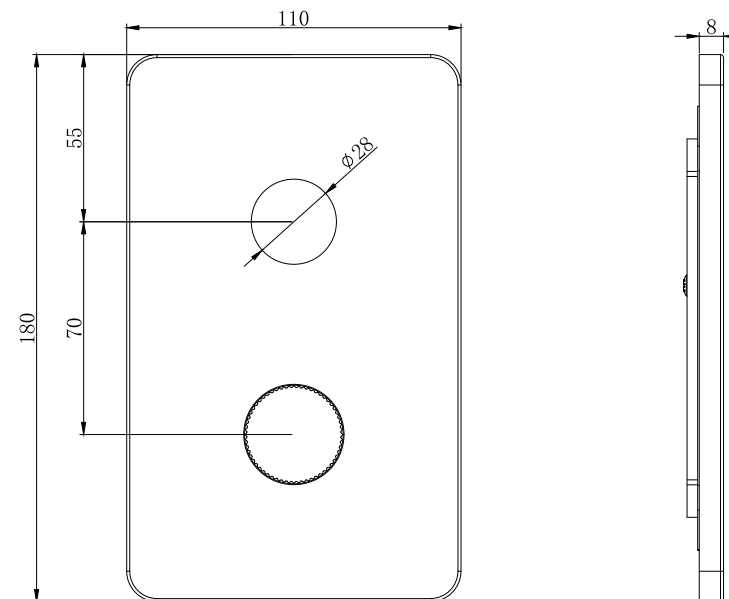
## Flow Rates (Litres per minute)

SYSTEM PRESSURE	0.1 Bar	0.2 Bar	0.3 Bar	0.5 Bar	1.0 Bar	1.5 Bar	2.0 Bar	3.0 Bar	4.0 Bar	5.0 Bar
	4.5	5.9	7.0	8.9	12.4	-	17.3	21.4	24.8	27.8

The information contained on this page was correct at date of issue. Fitting dimensions are provided as a guide only. Some variation may occur due to manufacturing tolerances. We pursue a policy of continuing improvement in design and performance of our products and so reserve the right to change specifications without prior notice.

# Concealed Shower 1 Outlet Wall Plate

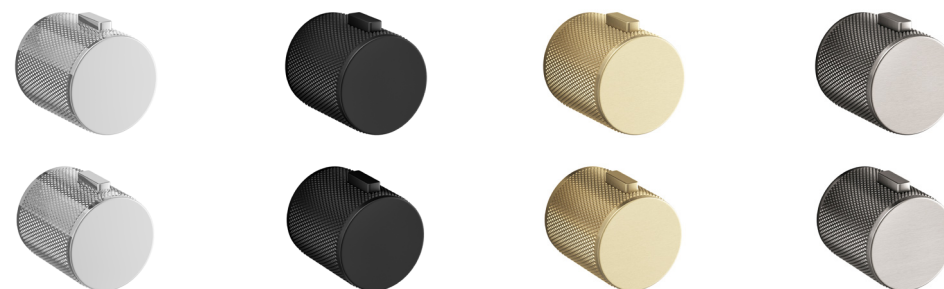
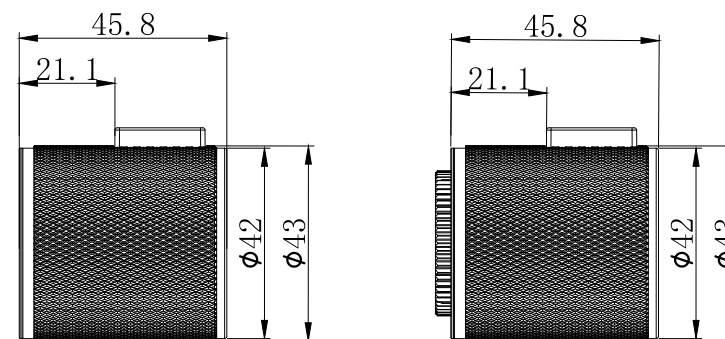
<b>CODES</b>	<ul style="list-style-type: none"> <li>• MLSH1OWPCP</li> <li>• MLSH1OWPBL</li> <li>• MLSH1OWPBB</li> <li>• MLSH1OWPGM</li> </ul>
<b>CONSTRUCTION</b>	Brass Body (CuZn38b18)
<b>FINISHES</b>	<ul style="list-style-type: none"> <li>• Chrome</li> <li>• Matt Black</li> <li>• Brushed Brass</li> <li>• Gun Metal</li> </ul>
<b>PRODUCT TYPE</b>	Contemporary
<b>STANDARDS</b>	Complies with BSEN 1111
<b>ADDITIONAL INFO</b>	For use with one shower outlet



The information contained on this page was correct at date of issue. Fitting dimensions are provided as a guide only. Some variation may occur due to manufacturing tolerances. We pursue a policy of continuing improvement in design and performance of our products and so reserve the right to change specifications without prior notice.

# Ryver Round Concealed Valve Knurled Handle Pack

<b>CODES</b>	<ul style="list-style-type: none"> <li>• MLSHRYCVKHPCP</li> <li>• MLSHRYCVKHPBL</li> <li>• MLSHRYCVKHPBB</li> <li>• MLSHRYCVKHPPGM</li> </ul>
<b>CONSTRUCTION</b>	Brass Body (CuZn38b18)
<b>FINISHES</b>	<ul style="list-style-type: none"> <li>• Chrome</li> <li>• Matt Black</li> <li>• Brushed Brass</li> <li>• Gun Metal</li> </ul>
<b>PRODUCT TYPE</b>	Contemporary
<b>STANDARDS</b>	Complies with BSEN 1111
<b>ADDITIONAL INFO</b>	Pack of 2 Round Knurled Concealed Valve Handles



The information contained on this page was correct at date of issue. Fitting dimensions are provided as a guide only. Some variation may occur due to manufacturing tolerances. We pursue a policy of continuing improvement in design and performance of our products and so reserve the right to change specifications without prior notice.