

Construction

Brass Body (CuZn40Pb18)

Zinc alloy Handle

Finishes

Chrome plated to BS EN 248

Product Type

Traditional

Water Pressure

Min. 0.2 bar, Max. 6.0 bar

Plumbing Systems

Suitable for all plumbing systems

Standards

Complies with BS5412, BS EN200

Cartridge

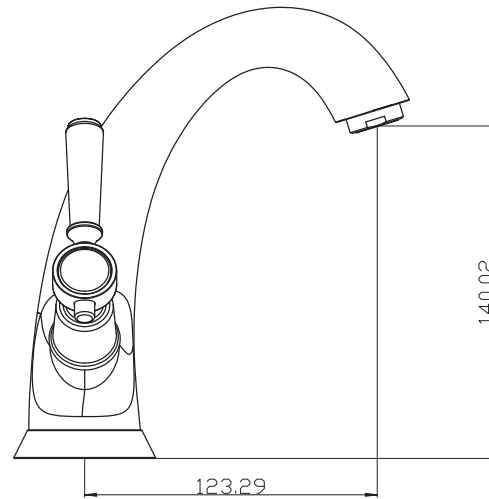
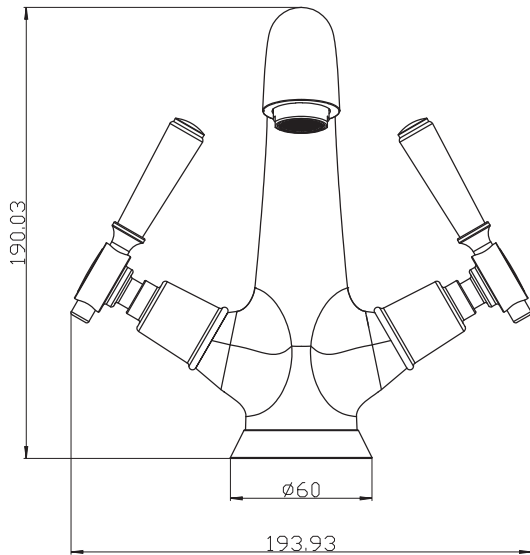
Compression Cartridge

Fitting

3/4" BSP

Guarantee

10 years against manufacturing faults (3 Years on Serviceable Parts).



Flow Rates (Litres per minute)

System Pressure	0.2 bar	0.5 bar	1 bar	2 bar	3 bar
	6.3	10.3	13.7	15.4	19.1

The information contained on this page was correct at date of issue. Fitting dimensions are provided as a guide only. Some variation may occur due to manufacturing tolerances. We pursue a policy of continuing improvement in design and performance of our products and so reserve the right to change specifications without prior notice.