

# Mourne 1600 Thin Edge Freestanding Acrylic Bath

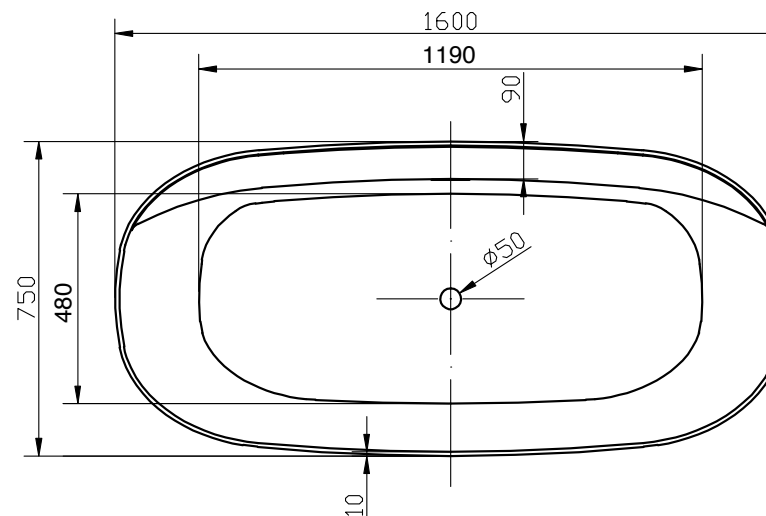
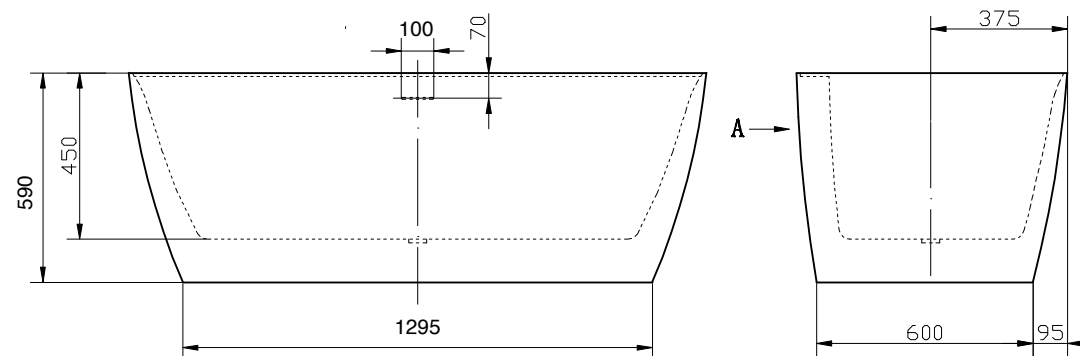
**CODE:** MLFSMOU16

**SIZE:** L 1600 x W 750 x H 590mm

**NET WEIGHT:** 38 Kg

**WATER CAPACITY:** 267L

*Can Be Drilled For Tap Holes. Features an access panel for quicker and more seamless tap installation.*



The information contained on this page was correct at date of issue. Fitting dimensions are provided as a guide only. Some variation may occur due to manufacturing tolerances. We pursue a policy of continuing improvement in design and performance of our products and so reserve the right to change specifications without prior notice.