

Mourne 1500 Thin Edge Freestanding Acrylic Bath

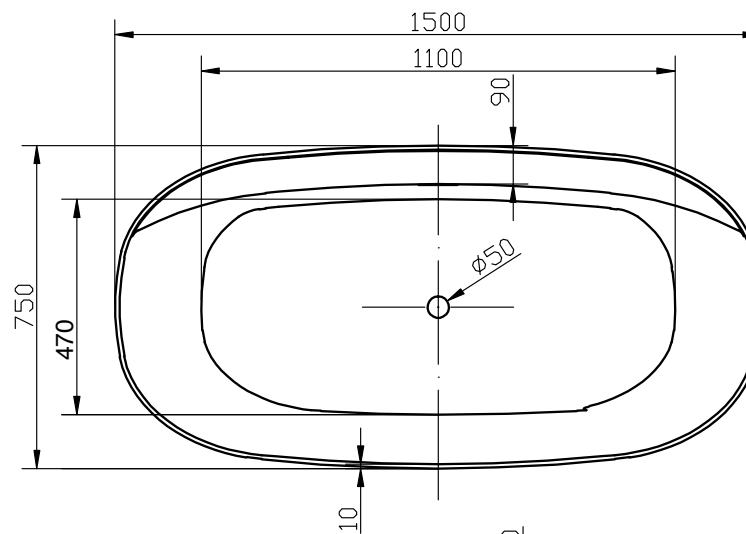
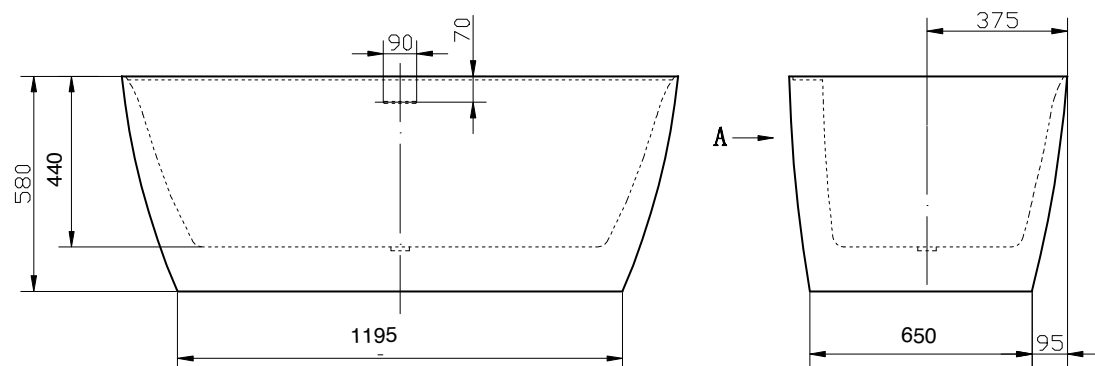
CODE: MLFSMOU15

SIZE: L 1500 x W 750 x H 580mm

NET WEIGHT: 37 Kg

WATER CAPACITY: 256L

Can Be Drilled For Tap Holes. Features an access panel for quicker and more seamless tap installation.



The information contained on this page was correct at date of issue. Fitting dimensions are provided as a guide only. Some variation may occur due to manufacturing tolerances. We pursue a policy of continuing improvement in design and performance of our products and so reserve the right to change specifications without prior notice.