

# Dale 1650 Right Hand Corner Thin Edge Freestanding Acrylic Bath

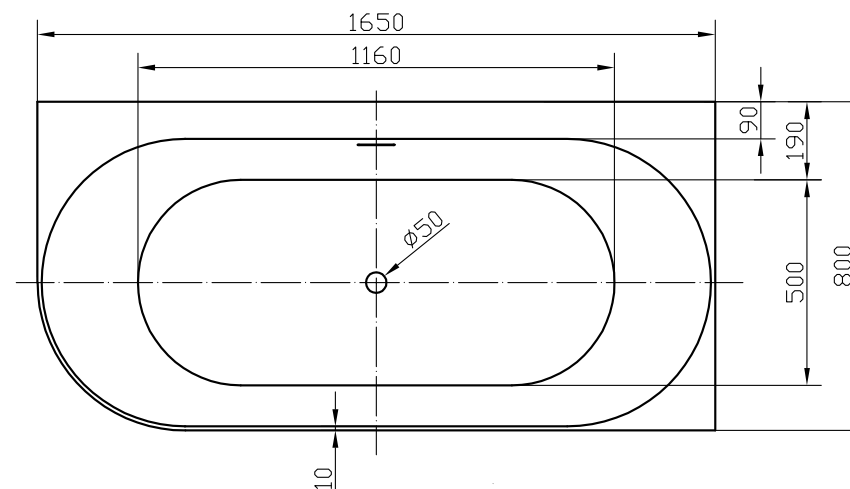
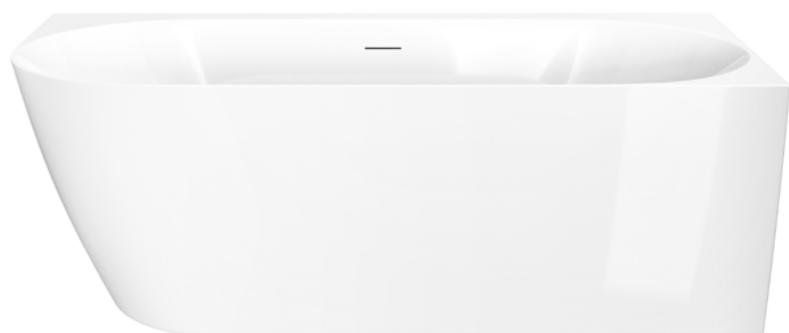
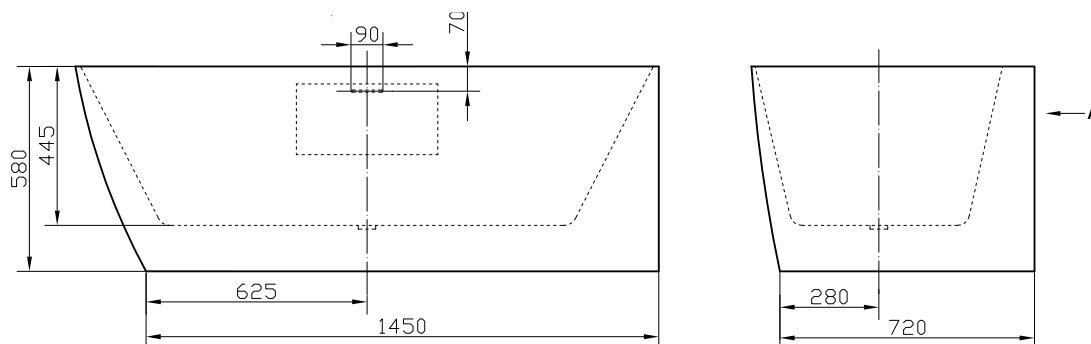
**CODE:** MLFSDAL17RH

**SIZE:** L 1650 x W 800 x H 580mm

**NET WEIGHT:** 41 Kg

**WATER CAPACITY:** 269L

*Can Be Drilled For Tap Holes. Features an access panel for quicker and more seamless tap installation.*



The information contained on this page was correct at date of issue. Fitting dimensions are provided as a guide only. Some variation may occur due to manufacturing tolerances. We pursue a policy of continuing improvement in design and performance of our products and so reserve the right to change specifications without prior notice.