

Corey 50 - LED Black Frame Mirror Cabinet

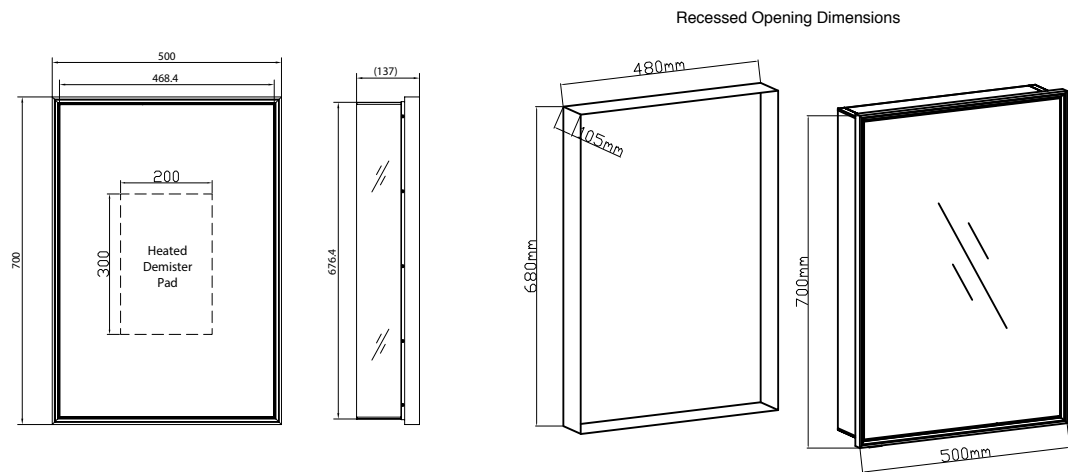
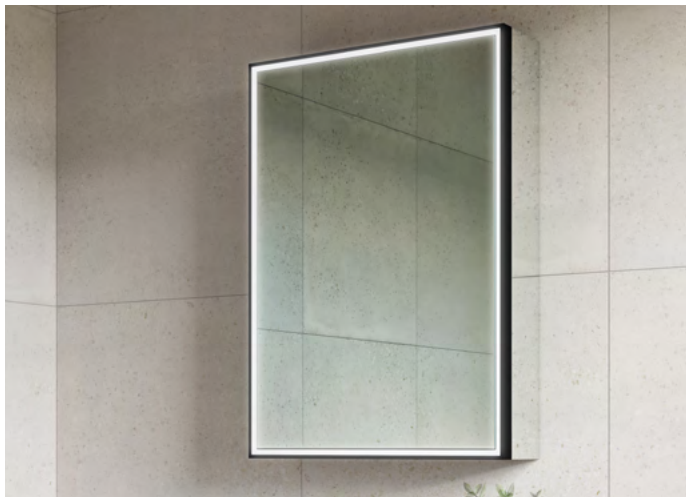
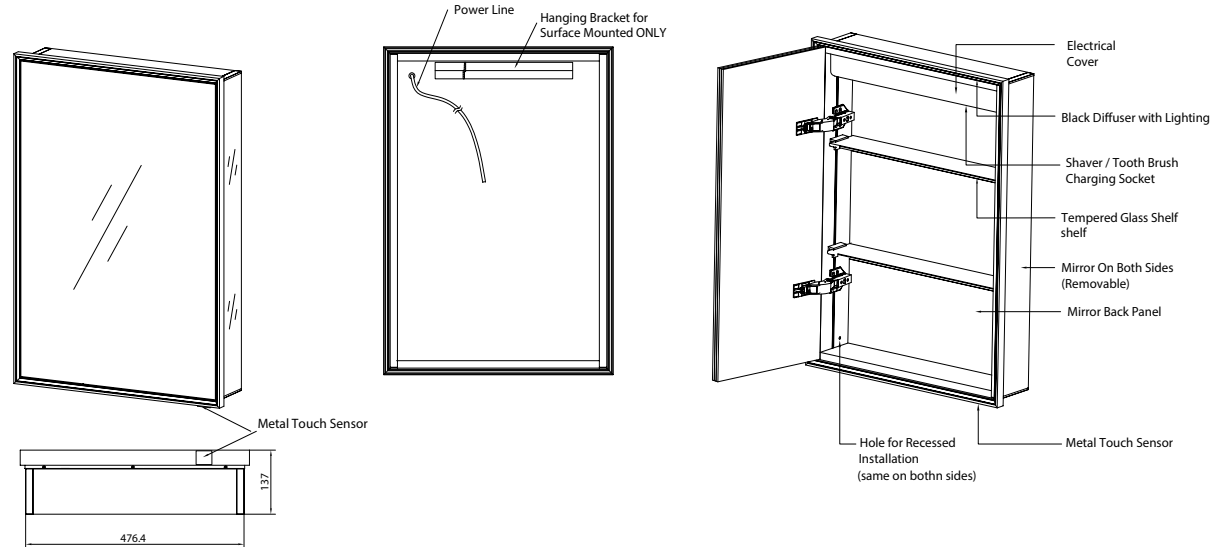
CODE: MLCACOR50BL

SIZE: H 700 x W 500 x D 137mm

NET WEIGHT: 13.85 Kg

FEATURES:

- LED Black Frame Mirror Cabinet
- Wall Mounted or Recessed
- Mirror Sides (Removable)
- Multi Functional Metal Touch Sensor Controls
- Light from Cool - Warm & Brightness with Memory Function
- Ambient Lighting
- Heated Demister Pad
- 2 Adjustable Shelves
- Charging Socket
- IP44 Rating



The information contained on this page was correct at date of issue. Fitting dimensions are provided as a guide only. Some variation may occur due to manufacturing tolerances. We pursue a policy of continuing improvement in design and performance of our products and so reserve the right to change specifications without prior notice.