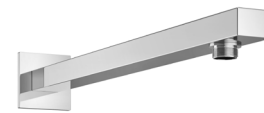
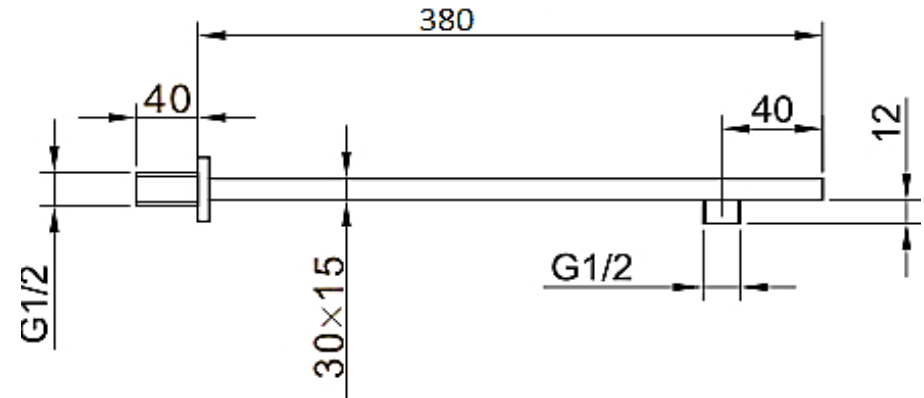


Dayla - Shower Arm 380mm

| | |
|-------------------------|--|
| PRODUCT CODES | MLSHDASACP - Chrome MLSHDASABL - Matt Black MLSHDASABB - Brushed Brass MLSHDASAGM - Gun Metal |
| CONSTRUCTION | Brass Body (CuZn38Pb18) |
| FINISHES | Chrome Plated Matt Black Electro Plated Brushed Brass PVD Finish Gun Metal PVD Finish |
| PRODUCT TYPE | Contemporary |
| WATER PRESSURE | Min 0.2 bar and Max 6.0 bar |
| PLUMBING SYSTEMS | Suitable for all plumbing systems, preferably balanced. Min. supply pressure differential requirement is 5:1 |
| FITTING | G1/2" |



Chrome



Matt Black



Brushed Brass

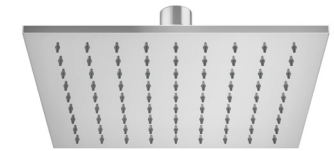
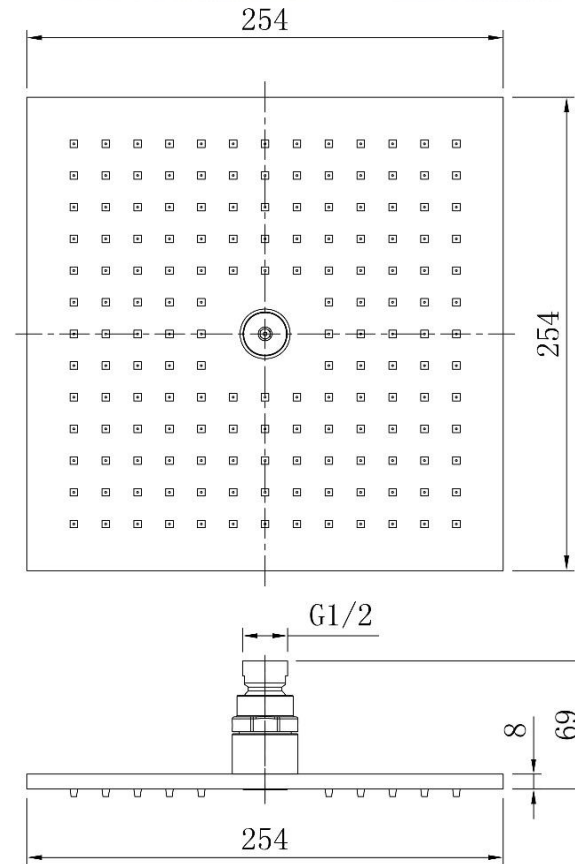


Gun Metal

The information contained on this page was correct at date of issue. Fitting dimensions are provided as a guide only. Some variation may occur due to manufacturing tolerances. We pursue a policy of continuing improvement in design and performance of our products and so reserve the right to change specifications without prior notice.

Dayla - Brass Shower Head 250mm

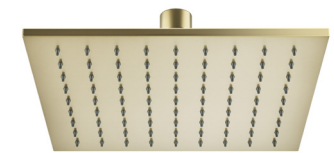
| | |
|-------------------------------|--|
| PRODUCT CODES | MLSHDASHCP - Chrome MLSHDASHBL - Matt Black MLSHDASHBB - Brushed Brass MLSHDASHGM - Gun Metal |
| CONSTRUCTION | Brass Body (CuZn38Pb18) |
| FINISHES | Chrome Plated Matt Black Electro Plated Brushed Brass PVD Finish Gun Metal PVD Finish |
| PRODUCT TYPE | Contemporary |
| WATER PRESSURE | Min 0.2 bar and Max 6.0bar |
| PLUMBING SYSTEMS | Suitable for all plumbing systems, preferably balanced. Min. supply pressure differential requirement is 5:1 |
| FITTING | G1/2" |
| ADDITIONAL INFORMATION | Rub-clean rubber nozzles Swivel connector |



Chrome



Matt Black



Brushed Brass



Gun Metal

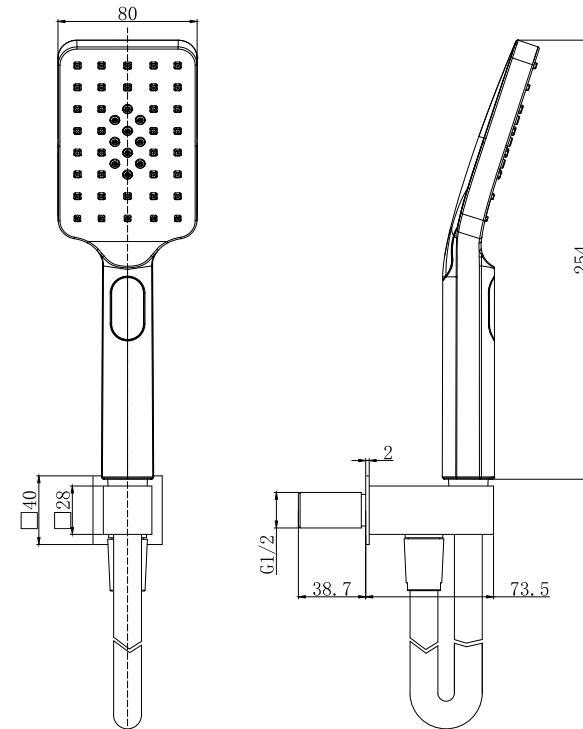
Flow Rates (Litres per minute)

| SYSTEM PRESSURE | 0.1 Bar | 0.2 Bar | 0.3 Bar | 0.5 Bar | 1.0 Bar | 1.5 Bar | 2.0 Bar | 3.0 Bar | 4.0 Bar | 5.0 Bar |
|-----------------|---------|---------|---------|---------|---------|---------|---------|---------|---------|---------|
| | 6.3 | 8.2 | 11.3 | 15.8 | 17.1 | 19.4 | 21.3 | 24.4 | 27.0 | 30.0 |

The information contained on this page was correct at date of issue. Fitting dimensions are provided as a guide only. Some variation may occur due to manufacturing tolerances. We pursue a policy of continuing improvement in design and performance of our products and so reserve the right to change specifications without prior notice.

Dayla - Wall Outlet & Handset Holder Kit

| | |
|-------------------------|--|
| PRODUCT CODES | MLSHDAHACP - Chrome MLSHDAHABL - Matt Black MLSHDAHABB - Brushed Brass MLSHDAHAGM - Gun Metal |
| CONSTRUCTION | Brass Body (CuZn38Pb18) |
| FINISHES | Chrome Plated Matt Black Electro Plated Brushed Brass PVD Finish Gun Metal PVD Finish |
| PRODUCT TYPE | Contemporary |
| WATER PRESSURE | Min 0.2 bar and Max 6.0 bar |
| PLUMBING SYSTEMS | Suitable for all plumbing systems, preferably balanced. Min. supply pressure differential requirement is 5:1 |
| FITTING | G1/2" |
| ADDITIONAL INFO | Premium Antibacterial 1.5m Hose Triple Function Handset |



Chrome



Matt Black



Brushed Brass

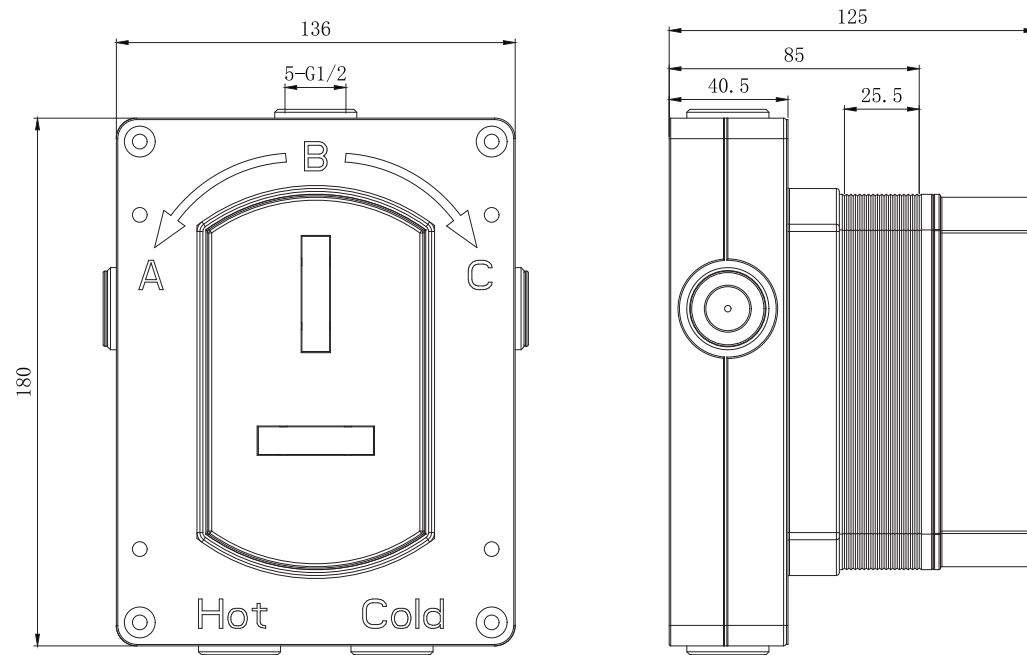


Gun Metal

The information contained on this page was correct at date of issue. Fitting dimensions are provided as a guide only. Some variation may occur due to manufacturing tolerances. We pursue a policy of continuing improvement in design and performance of our products and so reserve the right to change specifications without prior notice.

Universal Easy-Plumb Concealed Valve Box

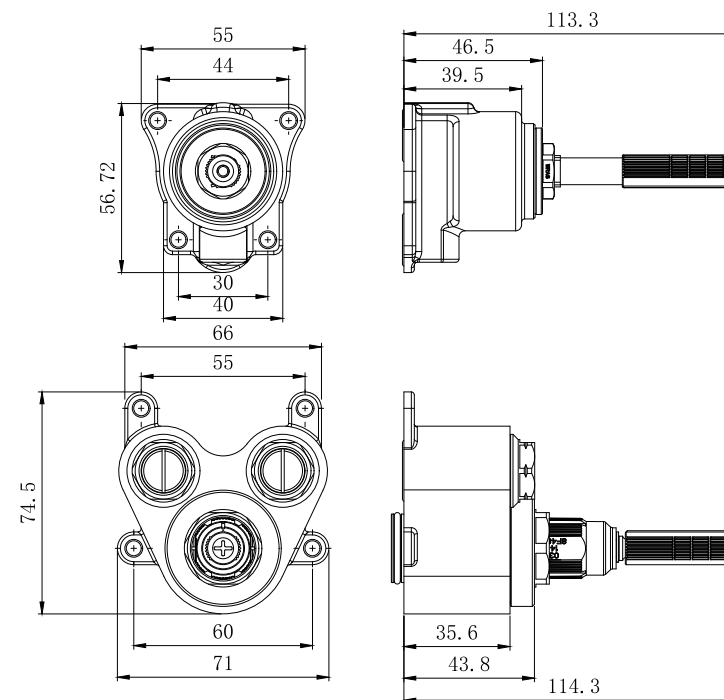
| | |
|-------------------------|---|
| CODE | MLSHUCVB |
| CONSTRUCTION | Brass Body (CuZn38b18)+ABS BOX |
| PRODUCT TYPE | Contemporary |
| PLUMBING SYSTEMS | Suitable for all plumbing systems, preferably balanced. Min. supply pressure differential requirement is 5:1 |
| STANDARDS | Complies with BSEN 1111 |
| FITTING | Easy First Fix |



The information contained on this page was correct at date of issue. Fitting dimensions are provided as a guide only. Some variation may occur due to manufacturing tolerances. We pursue a policy of continuing improvement in design and performance of our products and so reserve the right to change specifications without prior notice.

Thermostatic Mixer Valve & Diverter - 2 Outlet

| | |
|-------------------------|---|
| CODE | MLSH2OTMVD |
| CONSTRUCTION | Brass Body (CuZn38b18) |
| FINISHES | Brass |
| PRODUCT TYPE | Contemporary |
| WATER PRESSURE | Min. 1.0 bar, Max. 6.0 bar |
| PLUMBING SYSTEMS | Suitable for all plumbing systems, preferably balanced. Min. supply pressure differential requirement is 5:1 |
| STANDARDS | Complies with BSEN 1111 |
| CARTRIDGE | Vernet Thermostatic Cartridge |
| DIVERTER | Citec Diverter |
| ADDITIONAL INFO | <ol style="list-style-type: none"> 1. Temperature: Pre-set 38°C, with push button override to 48°C 2. Automatic shut off in the event of hot or cold water supply failure |



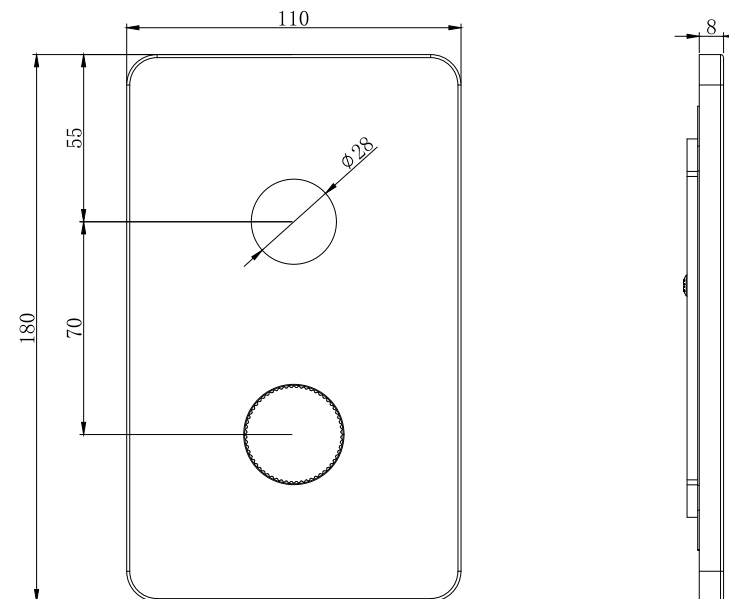
Flow Rates (Litres per minute)

| SYSTEM PRESSURE | 0.1 Bar | 0.2 Bar | 0.3 Bar | 0.5 Bar | 1.0 Bar | 1.5 Bar | 2.0 Bar | 3.0 Bar | 4.0 Bar | 5.0 Bar |
|-----------------|---------|---------|---------|---------|---------|---------|---------|---------|---------|---------|
| | 4.5 | 5.9 | 7.0 | 8.9 | 12.4 | - | 17.3 | 21.4 | 24.8 | 27.8 |

The information contained on this page was correct at date of issue. Fitting dimensions are provided as a guide only. Some variation may occur due to manufacturing tolerances. We pursue a policy of continuing improvement in design and performance of our products and so reserve the right to change specifications without prior notice.

Concealed Shower 2 Outlet Wall Plate

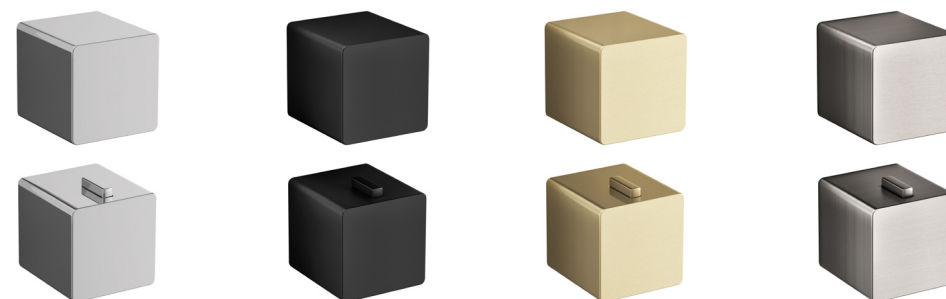
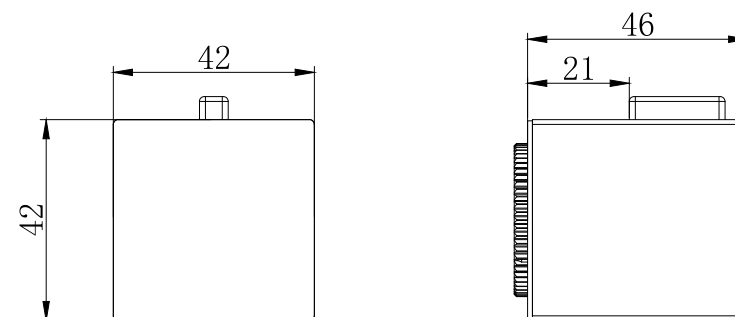
| | |
|------------------------|--|
| CODES | <ul style="list-style-type: none"> • MLSH2OWPCP • MLSH2OWPBL • MLSH2OWPBB • MLSH2OWPGM |
| CONSTRUCTION | Brass Body (CuZn38b18) |
| FINISHES | <ul style="list-style-type: none"> • Chrome • Matt Black • Brushed Brass • Gun Metal |
| PRODUCT TYPE | Contemporary |
| STANDARDS | Complies with BSEN 1111 |
| ADDITIONAL INFO | For use with two shower outlets |



The information contained on this page was correct at date of issue. Fitting dimensions are provided as a guide only. Some variation may occur due to manufacturing tolerances. We pursue a policy of continuing improvement in design and performance of our products and so reserve the right to change specifications without prior notice.

Dayla Square Concealed Valve Handle Pack

| | |
|------------------------|--|
| CODES | <ul style="list-style-type: none"> • MLSHDACVHPCP • MLSHDACVHPBL • MLSHDACVHPBB • MLSHDACVHPGM |
| CONSTRUCTION | Brass Body (CuZn38b18) |
| FINISHES | <ul style="list-style-type: none"> • Chrome • Matt Black • Brushed Brass • Gun Metal |
| PRODUCT TYPE | Contemporary |
| STANDARDS | Complies with BSEN 1111 |
| ADDITIONAL INFO | Pack of 2 Square Concealed Valve Handles |



The information contained on this page was correct at date of issue. Fitting dimensions are provided as a guide only. Some variation may occur due to manufacturing tolerances. We pursue a policy of continuing improvement in design and performance of our products and so reserve the right to change specifications without prior notice.