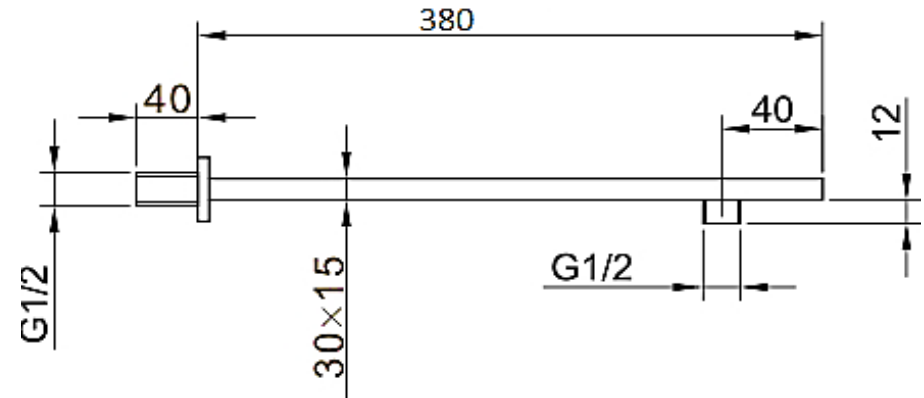


Dayla - Shower Arm 380mm

PRODUCT CODES	MLSHDASACP - Chrome MLSHDASABL - Matt Black MLSHDASABB - Brushed Brass MLSHDASAGM - Gun Metal
CONSTRUCTION	Brass Body (CuZn38Pb18)
FINISHES	Chrome Plated Matt Black Electro Plated Brushed Brass PVD Finish Gun Metal PVD Finish
PRODUCT TYPE	Contemporary
WATER PRESSURE	Min 0.2 bar and Max 6.0 bar
PLUMBING SYSTEMS	Suitable for all plumbing systems, preferably balanced. Min. supply pressure differential requirement is 5:1
FITTING	G1/2"



Chrome



Matt Black



Brushed Brass

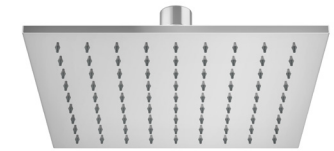
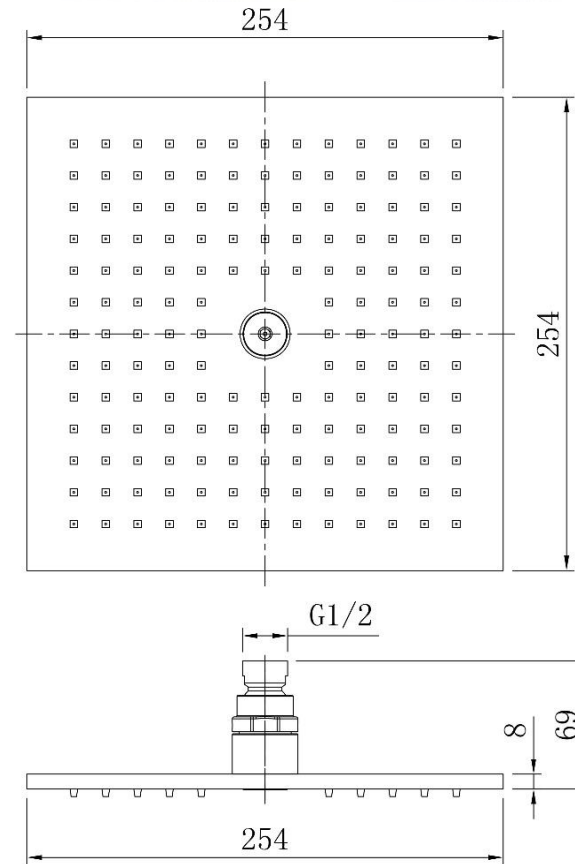


Gun Metal

The information contained on this page was correct at date of issue. Fitting dimensions are provided as a guide only. Some variation may occur due to manufacturing tolerances. We pursue a policy of continuing improvement in design and performance of our products and so reserve the right to change specifications without prior notice.

Dayla - Brass Shower Head 250mm

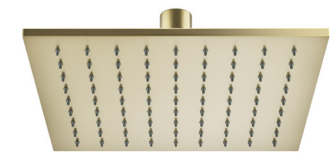
PRODUCT CODES	MLSHDASHCP - Chrome MLSHDASHBL - Matt Black MLSHDASHBB - Brushed Brass MLSHDASHGM - Gun Metal
CONSTRUCTION	Brass Body (CuZn38Pb18)
FINISHES	Chrome Plated Matt Black Electro Plated Brushed Brass PVD Finish Gun Metal PVD Finish
PRODUCT TYPE	Contemporary
WATER PRESSURE	Min 0.2 bar and Max 6.0bar
PLUMBING SYSTEMS	Suitable for all plumbing systems, preferably balanced. Min. supply pressure differential requirement is 5:1
FITTING	G1/2"
ADDITIONAL INFORMATION	Rub-clean rubber nozzles Swivel connector



Chrome



Matt Black



Brushed Brass



Gun Metal

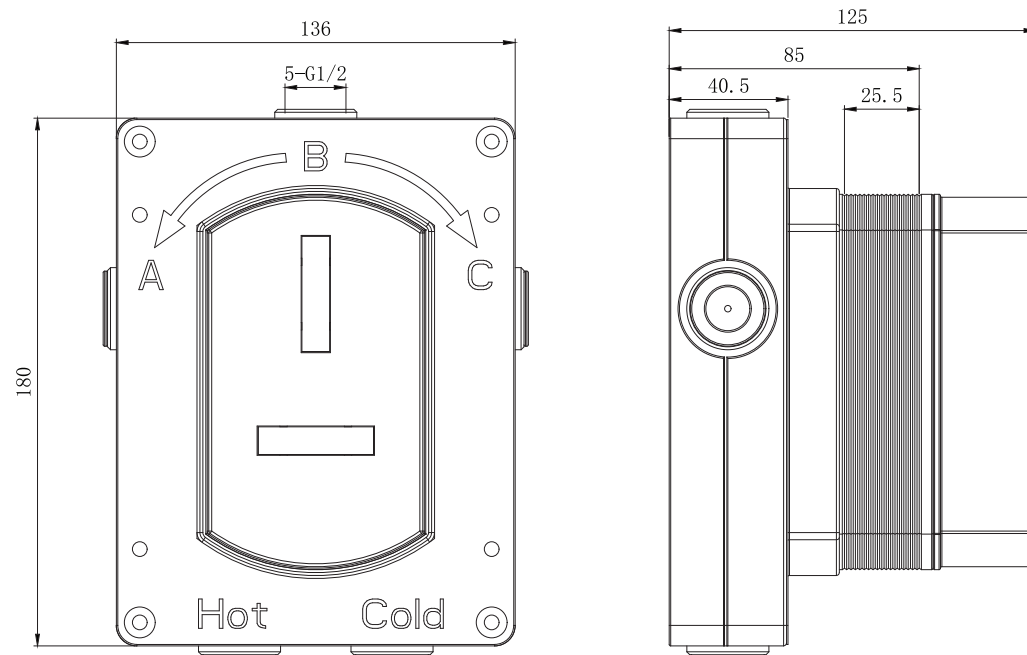
Flow Rates (Litres per minute)

SYSTEM PRESSURE	0.1 Bar	0.2 Bar	0.3 Bar	0.5 Bar	1.0 Bar	1.5 Bar	2.0 Bar	3.0 Bar	4.0 Bar	5.0 Bar
	6.3	8.2	11.3	15.8	17.1	19.4	21.3	24.4	27.0	30.0

The information contained on this page was correct at date of issue. Fitting dimensions are provided as a guide only. Some variation may occur due to manufacturing tolerances. We pursue a policy of continuing improvement in design and performance of our products and so reserve the right to change specifications without prior notice.

Universal Easy-Plumb Concealed Valve Box

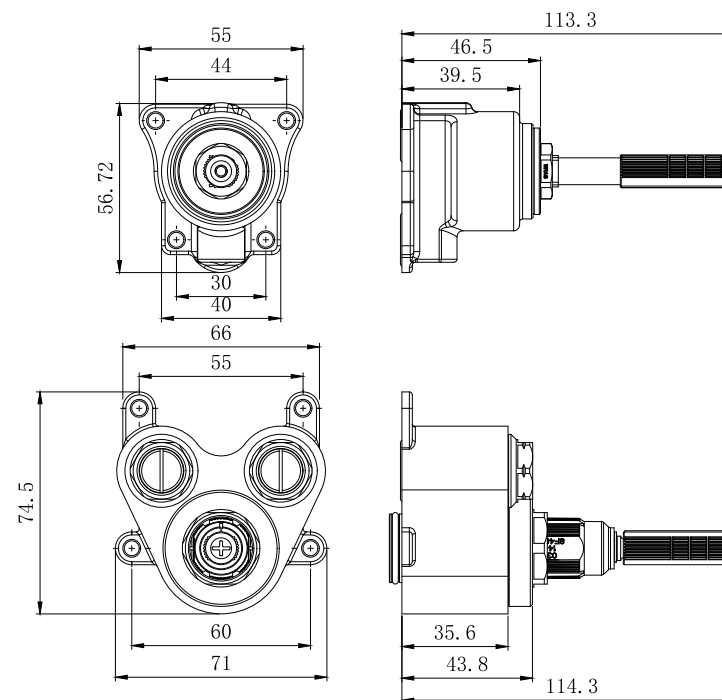
CODE	MLSHUCVB
CONSTRUCTION	Brass Body (CuZn38b18)+ABS BOX
PRODUCT TYPE	Contemporary
PLUMBING SYSTEMS	Suitable for all plumbing systems, preferably balanced. Min. supply pressure differential requirement is 5:1
STANDARDS	Complies with BSEN 1111
FITTING	Easy First Fix



The information contained on this page was correct at date of issue. Fitting dimensions are provided as a guide only. Some variation may occur due to manufacturing tolerances. We pursue a policy of continuing improvement in design and performance of our products and so reserve the right to change specifications without prior notice.

Thermostatic Mixer Valve & Diverter - 1 Outlet

CODE	MLSH10TMVD
CONSTRUCTION	Brass Body (CuZn38b18)
FINISHES	Brass
PRODUCT TYPE	Contemporary
WATER PRESSURE	Min. 1.0 bar, Max. 6.0 bar
PLUMBING SYSTEMS	Suitable for all plumbing systems, preferably balanced. Min. supply pressure differential requirement is 5:1
STANDARDS	Complies with BSEN 1111
CARTRIDGE	Vernet Thermostatic Cartridge
DIVERTER	Citec Diverter
ADDITIONAL INFO	<ol style="list-style-type: none"> Temperature: Pre-set 38°C, with push button override to 48°C Automatic shut off in the event of hot or cold water supply failure



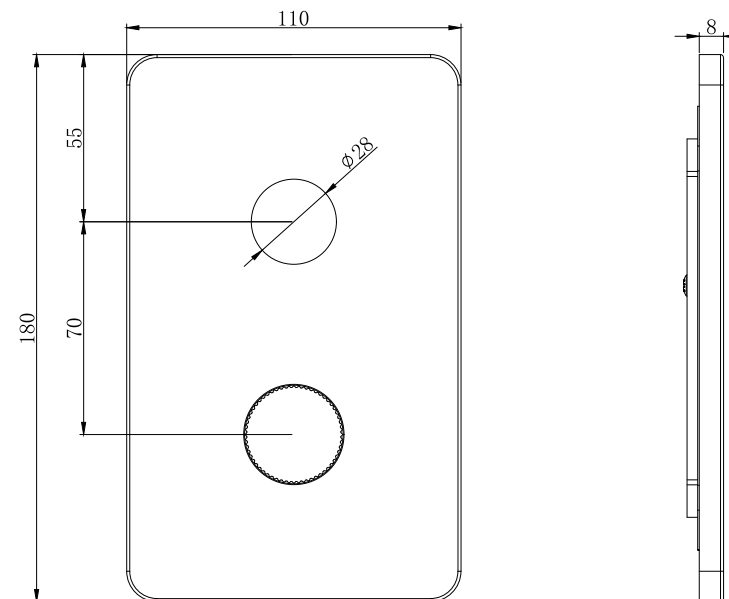
Flow Rates (Litres per minute)

SYSTEM PRESSURE	0.1 Bar	0.2 Bar	0.3 Bar	0.5 Bar	1.0 Bar	1.5 Bar	2.0 Bar	3.0 Bar	4.0 Bar	5.0 Bar
	4.5	5.9	7.0	8.9	12.4	-	17.3	21.4	24.8	27.8

The information contained on this page was correct at date of issue. Fitting dimensions are provided as a guide only. Some variation may occur due to manufacturing tolerances. We pursue a policy of continuing improvement in design and performance of our products and so reserve the right to change specifications without prior notice.

Concealed Shower 1 Outlet Wall Plate

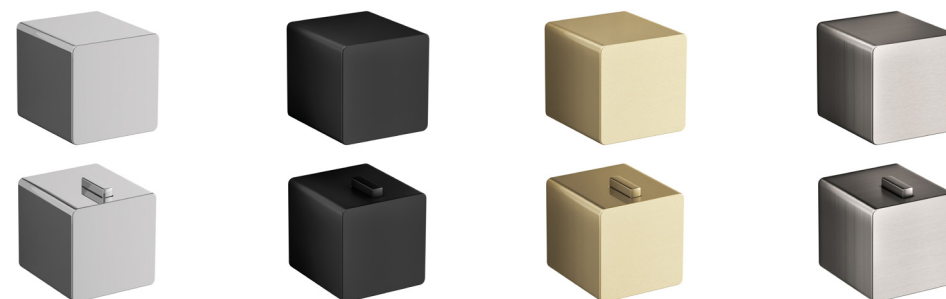
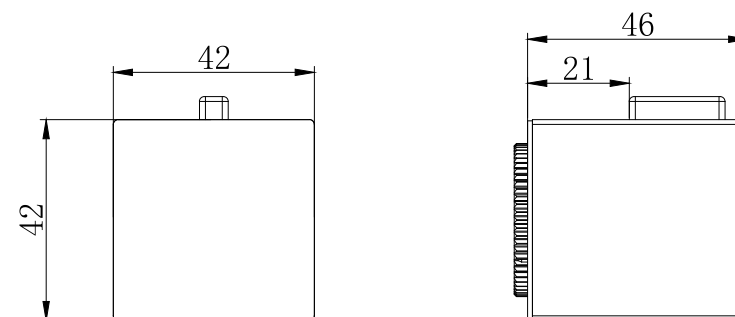
CODES	<ul style="list-style-type: none"> • MLSH1OWPCP • MLSH1OWPBL • MLSH1OWPBB • MLSH1OWPGM
CONSTRUCTION	Brass Body (CuZn38b18)
FINISHES	<ul style="list-style-type: none"> • Chrome • Matt Black • Brushed Brass • Gun Metal
PRODUCT TYPE	Contemporary
STANDARDS	Complies with BSEN 1111
ADDITIONAL INFO	For use with one shower outlet



The information contained on this page was correct at date of issue. Fitting dimensions are provided as a guide only. Some variation may occur due to manufacturing tolerances. We pursue a policy of continuing improvement in design and performance of our products and so reserve the right to change specifications without prior notice.

Dayla Square Concealed Valve Handle Pack

CODES	<ul style="list-style-type: none"> • MLSHDACVHPCP • MLSHDACVHPBL • MLSHDACVHPBB • MLSHDACVHPGM
CONSTRUCTION	Brass Body (CuZn38b18)
FINISHES	<ul style="list-style-type: none"> • Chrome • Matt Black • Brushed Brass • Gun Metal
PRODUCT TYPE	Contemporary
STANDARDS	Complies with BSEN 1111
ADDITIONAL INFO	Pack of 2 Square Concealed Valve Handles



The information contained on this page was correct at date of issue. Fitting dimensions are provided as a guide only. Some variation may occur due to manufacturing tolerances. We pursue a policy of continuing improvement in design and performance of our products and so reserve the right to change specifications without prior notice.