

# Corey 50 - LED Black Frame Mirror Cabinet

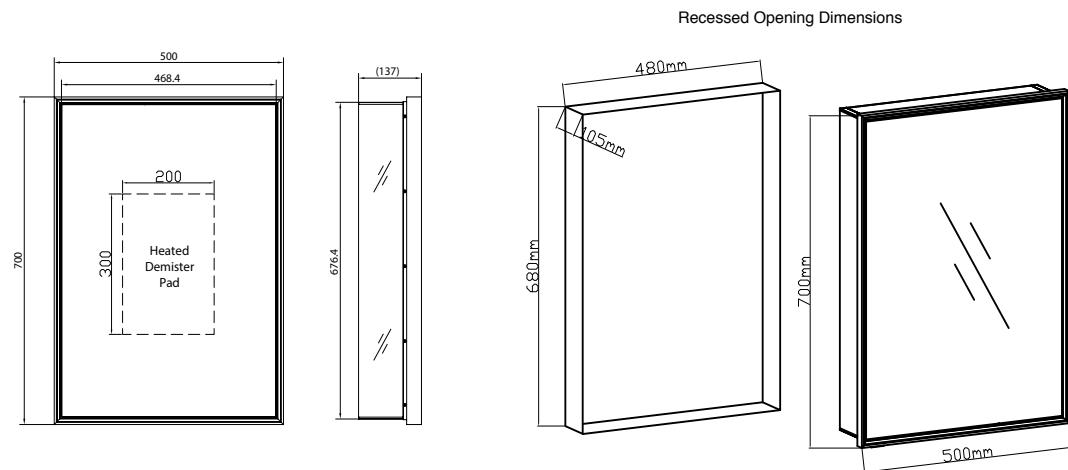
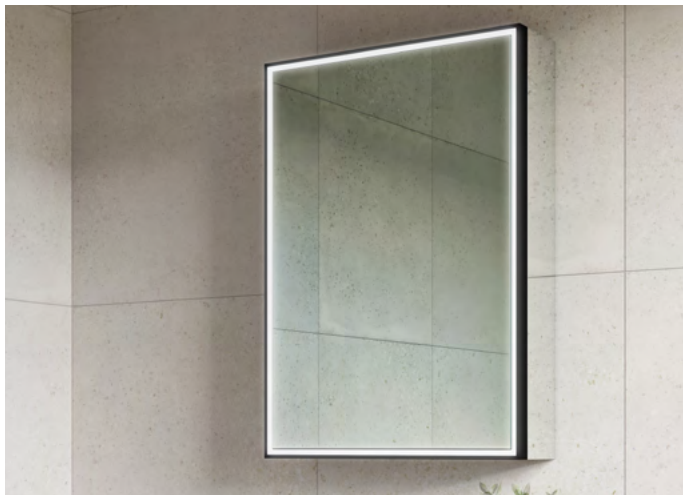
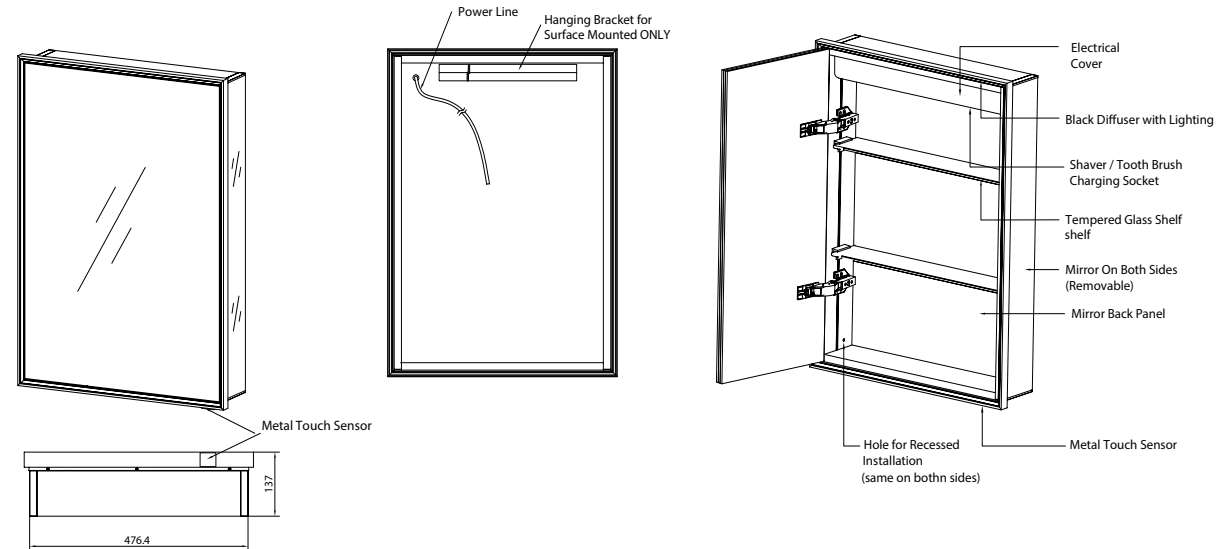
**CODE:** MLCACOR50BL

**SIZE:** H 700 x W 500 x D 137mm

**NET WEIGHT:** 13.85 Kg

**FEATURES:**

- LED Black Frame Mirror Cabinet
- Wall Mounted or Recessed
- Mirror Sides (Removable)
- Multi Functional Metal Touch Sensor Controls
- Light from Cool - Warm & Brightness with Memory Function
- Ambient Lighting
- Heated Demister Pad
- 2 Adjustable Shelves
- Charging Socket
- IP44 Rating



The information contained on this page was correct at date of issue. Fitting dimensions are provided as a guide only. Some variation may occur due to manufacturing tolerances. We pursue a policy of continuing improvement in design and performance of our products and so reserve the right to change specifications without prior notice.

# Corey 60 - LED Black Frame Mirror Cabinet

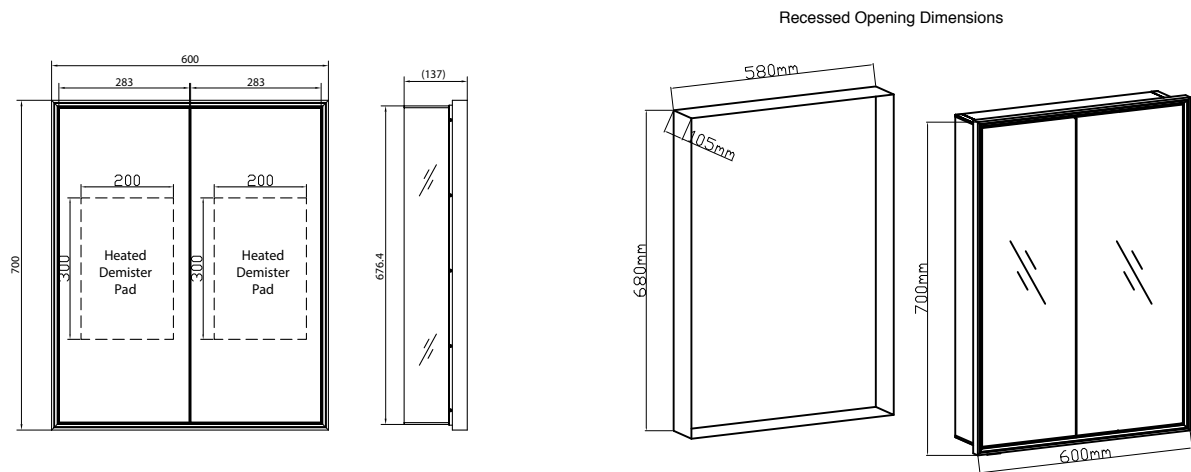
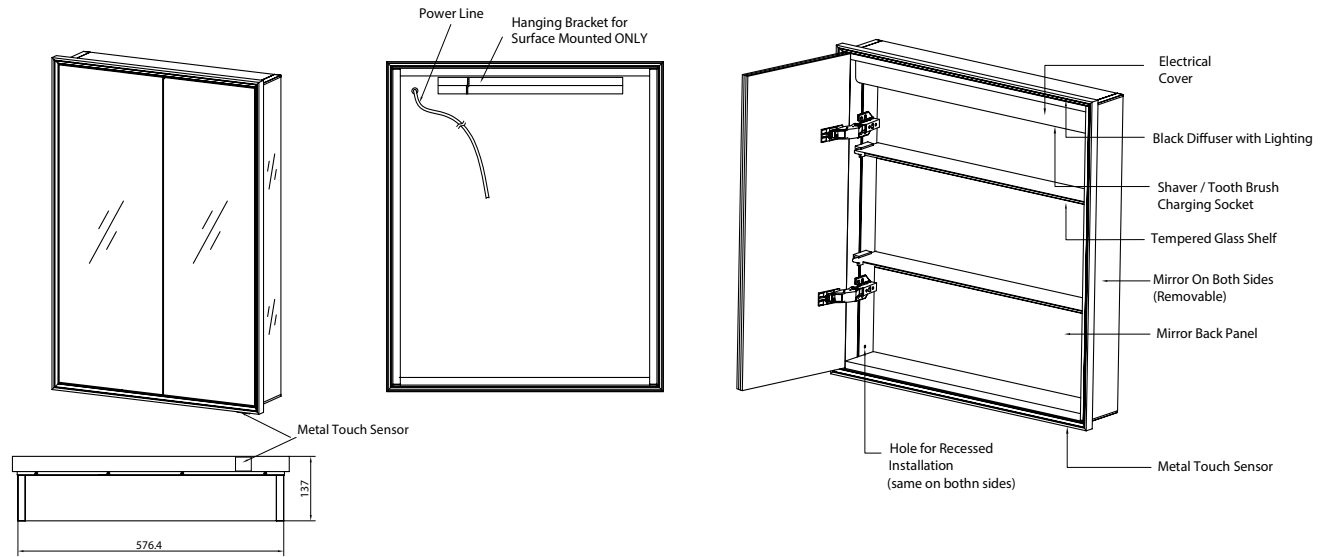
**CODE:** MLCACOR60BL

**SIZE:** H 700 x W 600 x D 137mm

**NET WEIGHT:** 16.39 Kg

**FEATURES:**

- LED Black Frame Mirror Cabinet
- Wall Mounted or Recessed
- Mirror Sides (Removable)
- Multi Functional Metal Touch Sensor Controls
- Light from Cool - Warm & Brightness with Memory Function
- Ambient Lighting
- Heated Demister Pad
- 2 Adjustable Shelves
- Charging Socket
- IP44 Rating



The information contained on this page was correct at date of issue. Fitting dimensions are provided as a guide only. Some variation may occur due to manufacturing tolerances. We pursue a policy of continuing improvement in design and performance of our products and so reserve the right to change specifications without prior notice.

# Corey 80 - LED Black Frame Mirror Cabinet

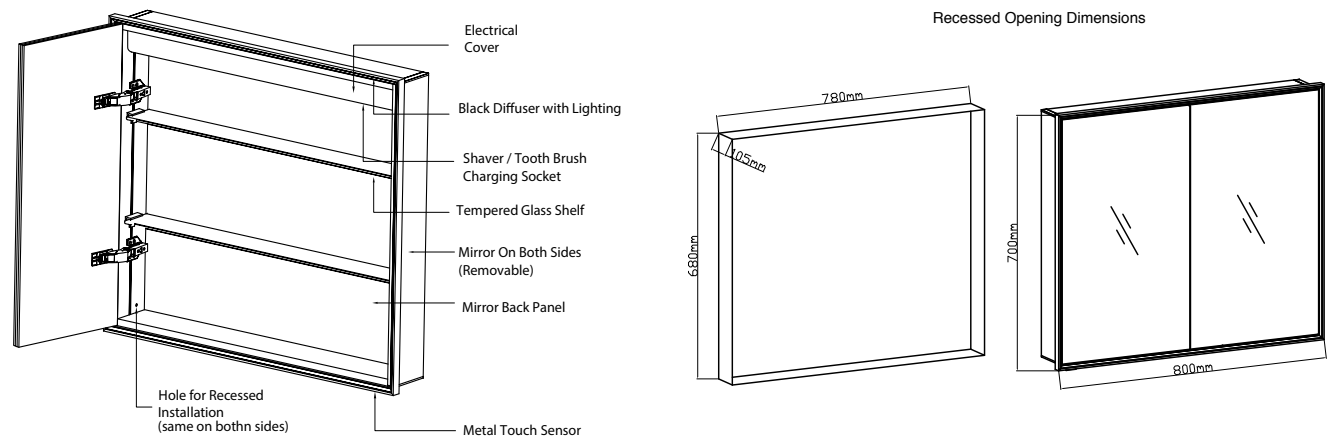
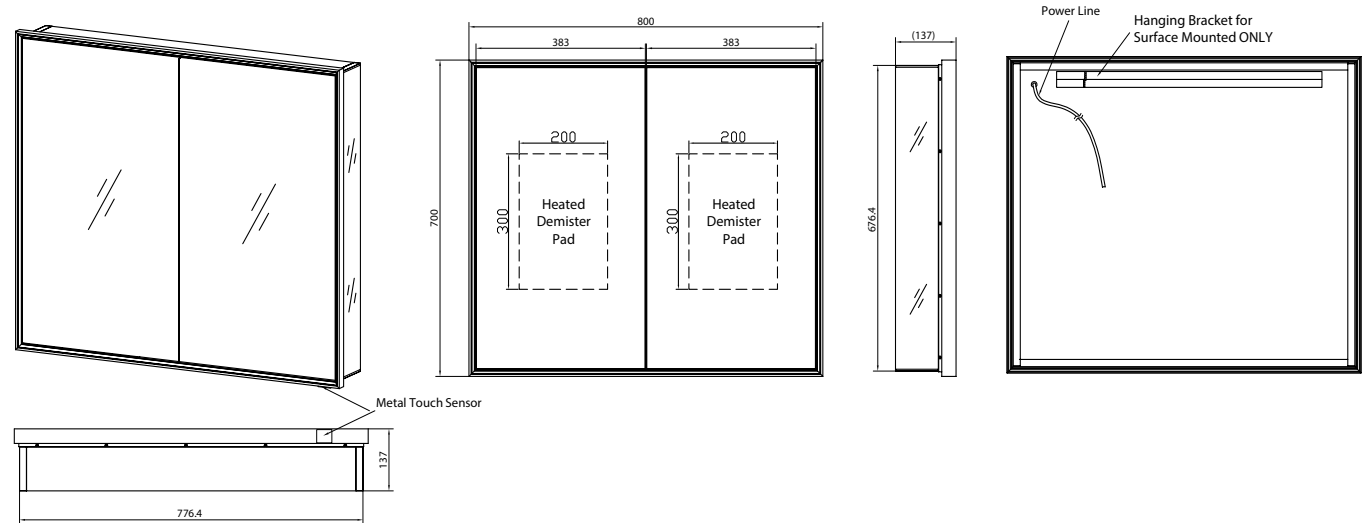
**CODE:** MLCACOR80BL

**SIZE:** H 700 x W 800 x D 137mm

**NET WEIGHT:** 18.83 Kg

**FEATURES:**

- LED Black Frame Mirror Cabinet
- Wall Mounted or Recessed
- Mirror Sides (Removable)
- Multi Functional Metal Touch Sensor Controls
- Light from Cool - Warm & Brightness with Memory Function
- Ambient Lighting
- Heated Demister Pad
- 2 Adjustable Shelves
- Charging Socket
- IP44 Rating



The information contained on this page was correct at date of issue. Fitting dimensions are provided as a guide only. Some variation may occur due to manufacturing tolerances. We pursue a policy of continuing improvement in design and performance of our products and so reserve the right to change specifications without prior notice.

# Corey 120 - LED Black Frame Mirror Cabinet

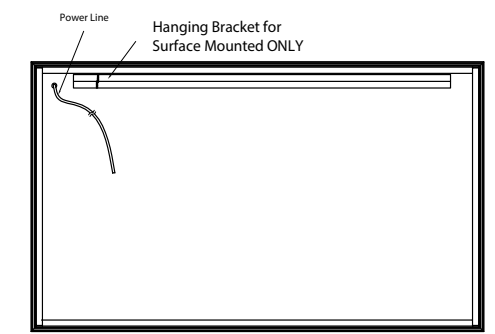
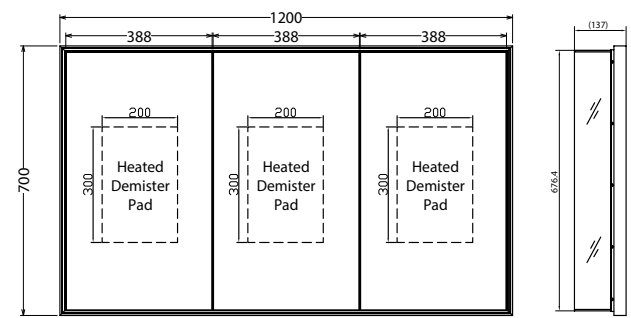
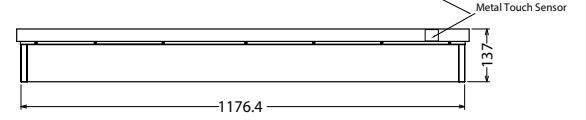
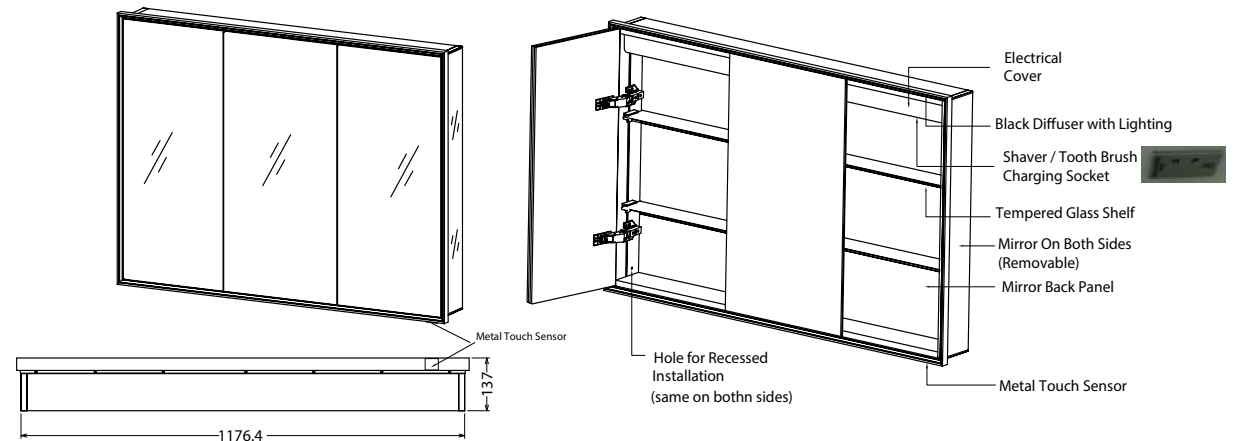
**CODE:** MLCACOR120BL

**SIZE:** H 700 x W 1200 x D 137mm

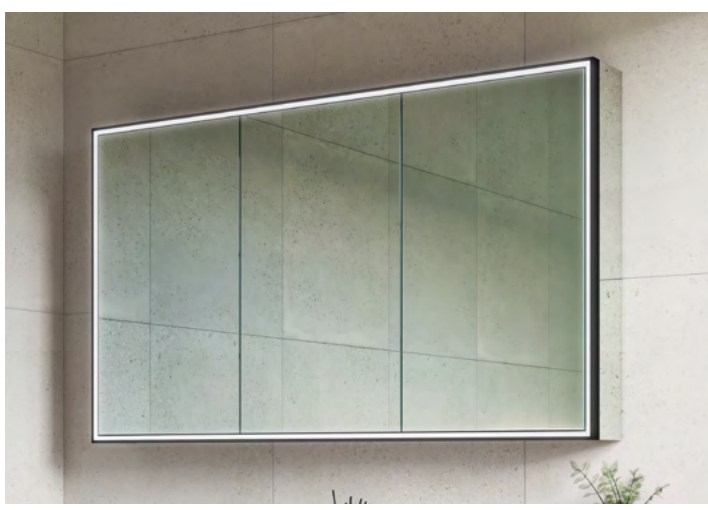
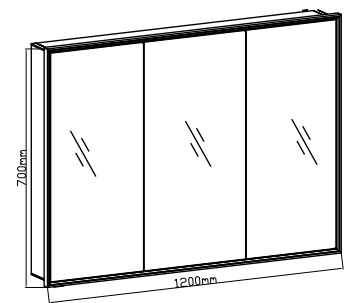
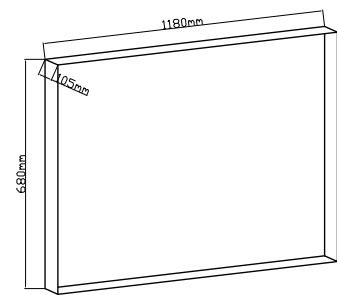
**NET WEIGHT:** 22.75 Kg

**FEATURES:**

- LED Black Frame Mirror Cabinet
- Wall Mounted or Recessed
- Mirror Sides (Removable)
- Multi Functional Metal Touch Sensor Controls
- Light from Cool - Warm & Brightness with Memory Function
- Ambient Lighting
- Heated Demister Pad
- 2 Adjustable Shelves
- Charging Socket
- IP44 Rating



Recessed Opening Dimensions



The information contained on this page was correct at date of issue. Fitting dimensions are provided as a guide only. Some variation may occur due to manufacturing tolerances. We pursue a policy of continuing improvement in design and performance of our products and so reserve the right to change specifications without prior notice.