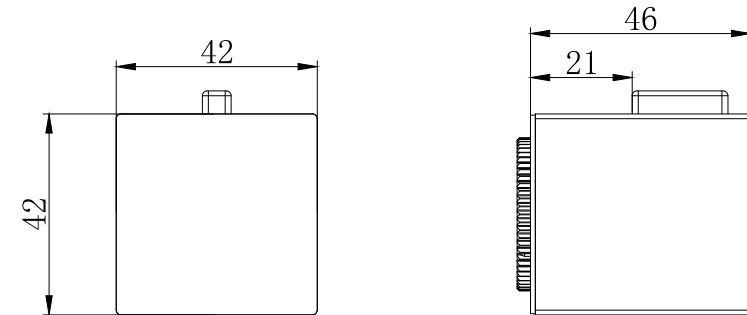


Dayla Square Concealed Valve Handle Pack

CODES	<ul style="list-style-type: none"> • MLSHDACVHPCP • MLSHDACVHPBL • MLSHDACVHPBB • MLSHDACVHPGM
CONSTRUCTION	Brass Body (CuZn38b18)
FINISHES	<ul style="list-style-type: none"> • Chrome • Matt Black • Brushed Brass • Gun Metal
PRODUCT TYPE	Contemporary
WATER PRESSURE	
PLUMBING SYSTEMS	
STANDARDS	Complies with BSEN 1111
CERTIFICATION	
CARTRIDGE	
FITTING	
ADDITIONAL INFO	



The information contained on this page was correct at date of issue. Fitting dimensions are provided as a guide only. Some variation may occur due to manufacturing tolerances. We pursue a policy of continuing improvement in design and performance of our products and so reserve the right to change specifications without prior notice.