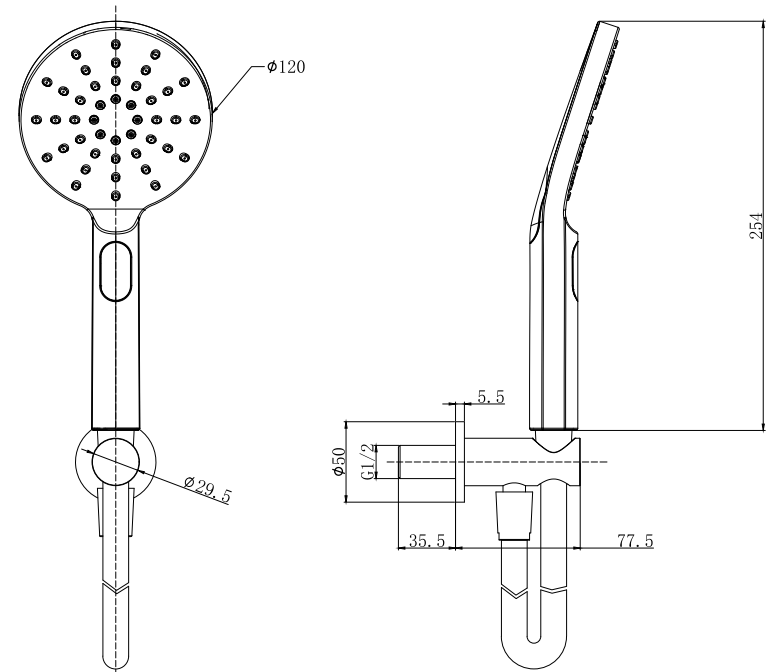


Ryver - Wall Outlet & Handset Holder Kit

| | |
|-------------------------|--|
| PRODUCT CODES | MLSHRYWHKCP - Chrome MLSHRYWHKBL - Matt Black MLSHRYWHKBB - Brushed Brass MLSHRYWHKGM - Gun Metal |
| CONSTRUCTION | Brass & ABS |
| FINISHES | Chrome Plated Matt Black Electro Plated Brushed Brass PVD Finish Gun Metal PVD Finish |
| PRODUCT TYPE | Contemporary |
| WATER PRESSURE | Min 0.2bar and Max 6.0bar |
| PLUMBING SYSTEMS | Suitable for all plumbing systems, preferably balanced. Min. supply pressure differential requirement is 5:1 |
| FITTING | G1/2" |
| ADDITIONAL INFO | Triple Function Push Button Handset 1.5m PVC Antibacterial Hose Integrated Brass Wall Elbow |



Chrome



Matt Black



Brushed Brass



Gun Metal

The information contained on this page was correct at date of issue. Fitting dimensions are provided as a guide only. Some variation may occur due to manufacturing tolerances. We pursue a policy of continuing improvement in design and performance of our products and so reserve the right to change specifications without prior notice.