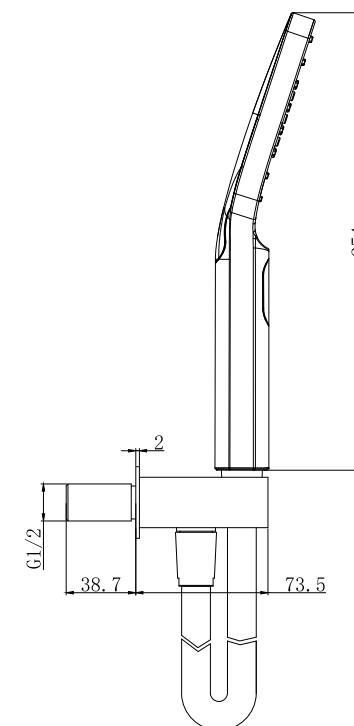
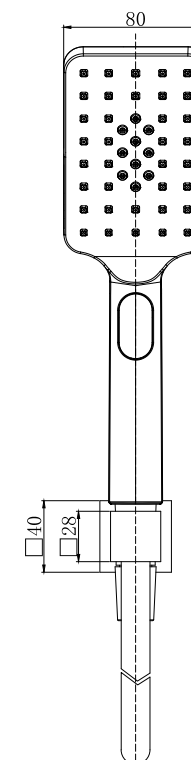


# Dayla Wall Outlet & Handset Holder - Brushed Brass

<b>PRODUCT CODE</b>	MLSHDAWHKBB
<b>CONSTRUCTION</b>	Brass Body (CuZn38Pb18)
<b>FINISHES</b>	Brushed Brass PVD Finish
<b>PRODUCT TYPE</b>	Contemporary
<b>WATER PRESSURE</b>	Min 0.2bar and Max 6.0bar
<b>PLUMBING SYSTEMS</b>	Suitable for all plumbing systems, preferably balanced. Min. supply pressure differential requirement is 5:1
<b>FITTING</b>	G1/2"
<b>ADDITIONAL INFORMATION</b>	Premium Antibacterial 1.5m Hose Triple Function Handset



The information contained on this page was correct at date of issue. Fitting dimensions are provided as a guide only. Some variation may occur due to manufacturing tolerances. We pursue a policy of continuing improvement in design and performance of our products and so reserve the right to change specifications without prior notice.