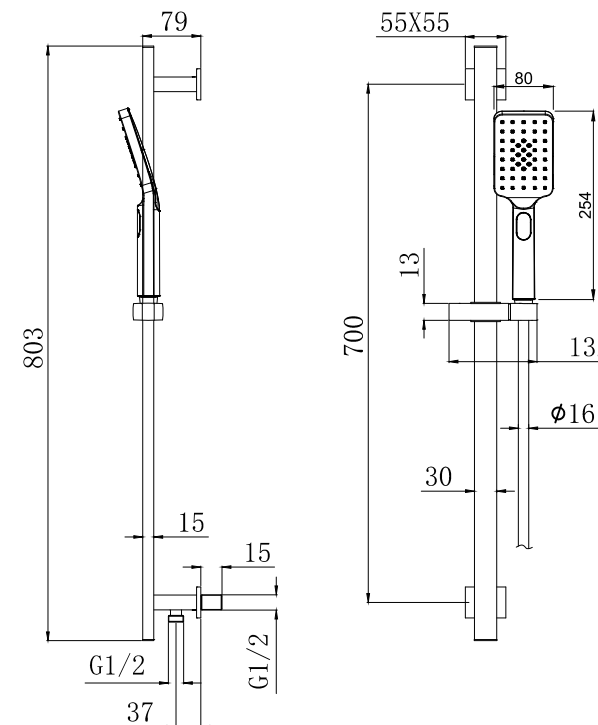


Dayla Sliding Rail Kit with Bottom Outlet - Brushed Brass

PRODUCT CODE	MLSHDASRKBB
CONSTRUCTION	Brass Body (CuZn38Pb18)
FINISHES	Brushed Brass PVD
PRODUCT TYPE	Contemporary
WATER PRESSURE	Min 0.2bar and Max 6.0bar
PLUMBING SYSTEMS	Suitable for all plumbing systems, preferably balanced. Min. supply pressure differential requirement is 5:1
FITTING	G1/2"
ADDITIONAL INFORMATION	Premium Antibacterial 1.5m PVC Hose Triple Function Handset Brass Handset Holder



The information contained on this page was correct at date of issue. Fitting dimensions are provided as a guide only. Some variation may occur due to manufacturing tolerances. We pursue a policy of continuing improvement in design and performance of our products and so reserve the right to change specifications without prior notice.