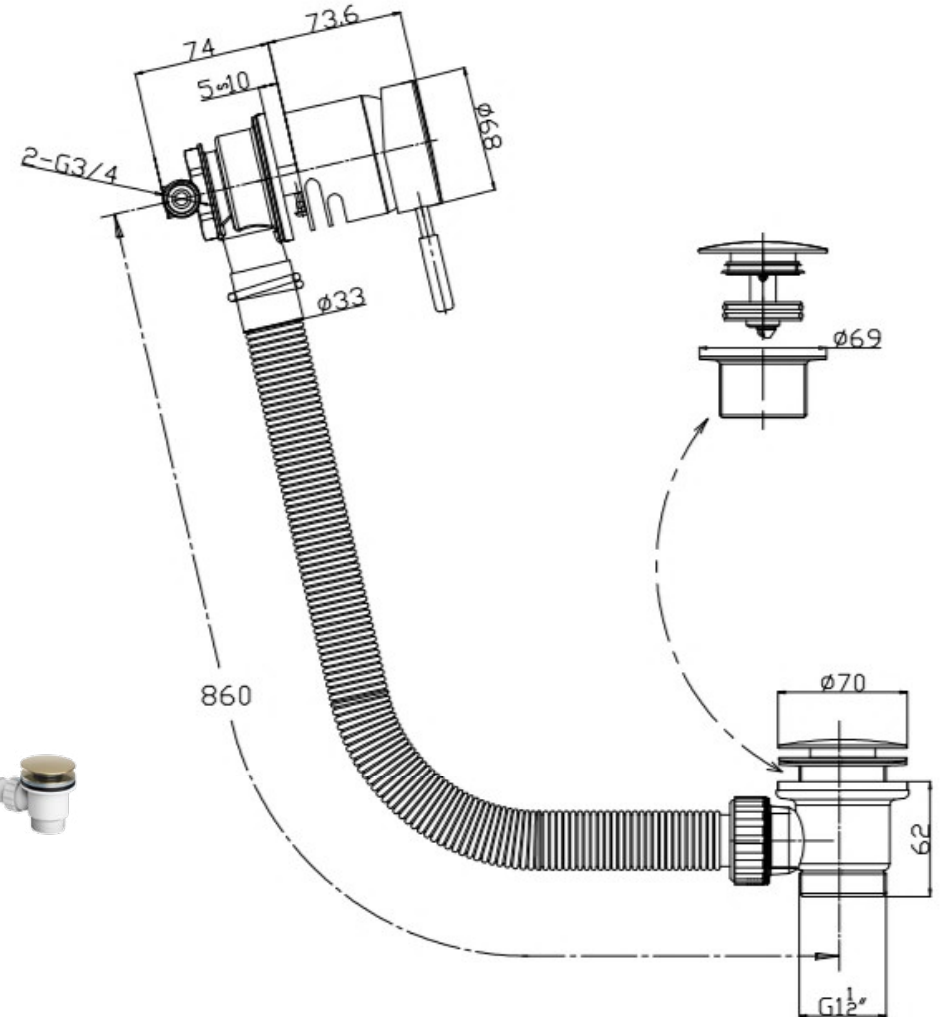


Brushed Brass Bath Filler with Control Valve, Sprung Waste & Overflow

CONSTRUCTION	Brass, Polypropylene, ABS, Zinc Alloy Handle
FINISHES	Brushed Brass PVD Finish
PRODUCT TYPE	Contemporary
WATER PRESSURE	Min. 1.0 Bar, Max. 5.0 Bar
PLUMBING SYSTEMS	Suitable for all plumbing systems
FITTING	Inlet: G3/4" BSP, Waste: G1-1/2" BSP
ADDITIONAL INFO	Centre to centre length 860mm

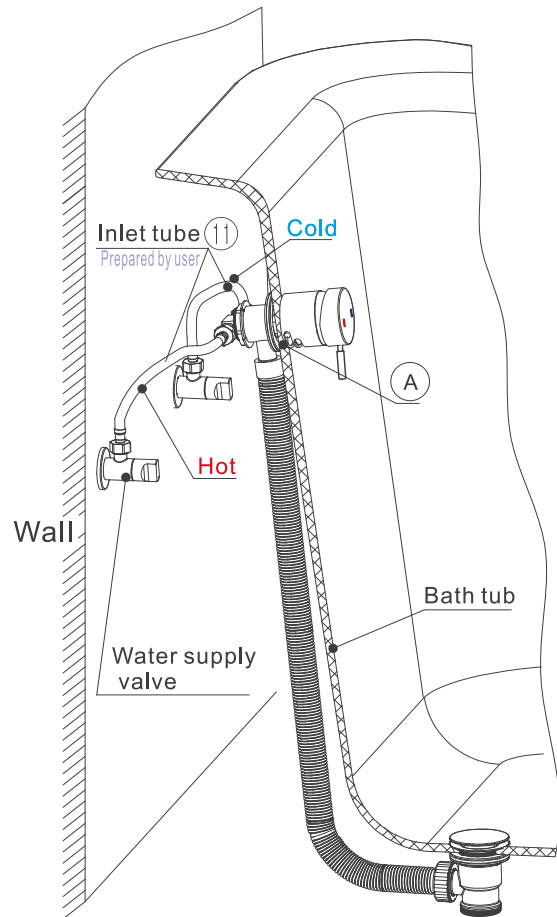


Flow Rates (Litres per minute)

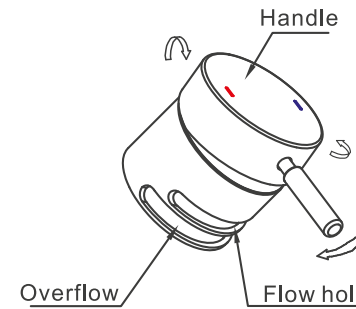
SYSTEM PRESSURE	0.1 Bar	0.2 Bar	0.3 Bar	0.5 Bar	1.0 Bar	1.5 Bar	2.0 Bar	3.0 Bar	4.0 Bar	5.0 Bar
	-	3.2	-	7.0	12.00	15.0	17.7	21.30	25.0	28.0

The information contained on this page was correct at date of issue. Fitting dimensions are provided as a guide only. Some variation may occur due to manufacturing tolerances. We pursue a policy of continuing improvement in design and performance of our products and so reserve the right to change specifications without prior notice.

● Figure III



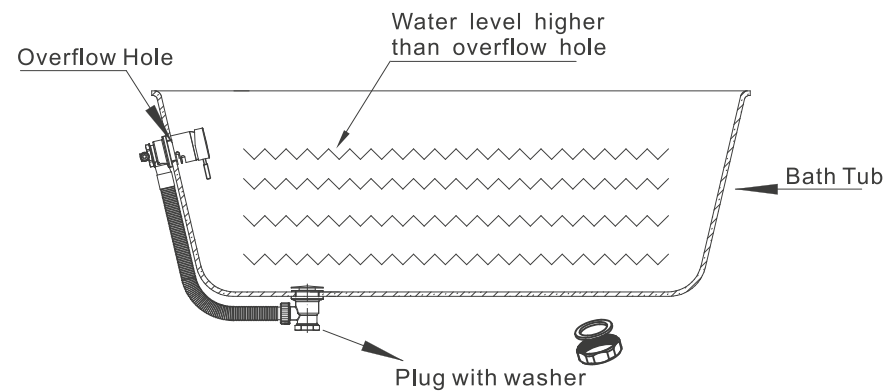
● Figure IV



IV. Operating Instruction (Figure IV).

1. Adjust the flow rate and the water temperature: move the handle by hand, adjusting the angle of valve plug opening can adjust the flow rate of the bath tub and the water temperature.

Note: Once assembled, fill the bath with water, check for leaks.



The information contained on this page was correct at date of issue. Fitting dimensions are provided as a guide only. Some variation may occur due to manufacturing tolerances. We pursue a policy of continuing improvement in design and performance of our products and so reserve the right to change specifications without prior notice.