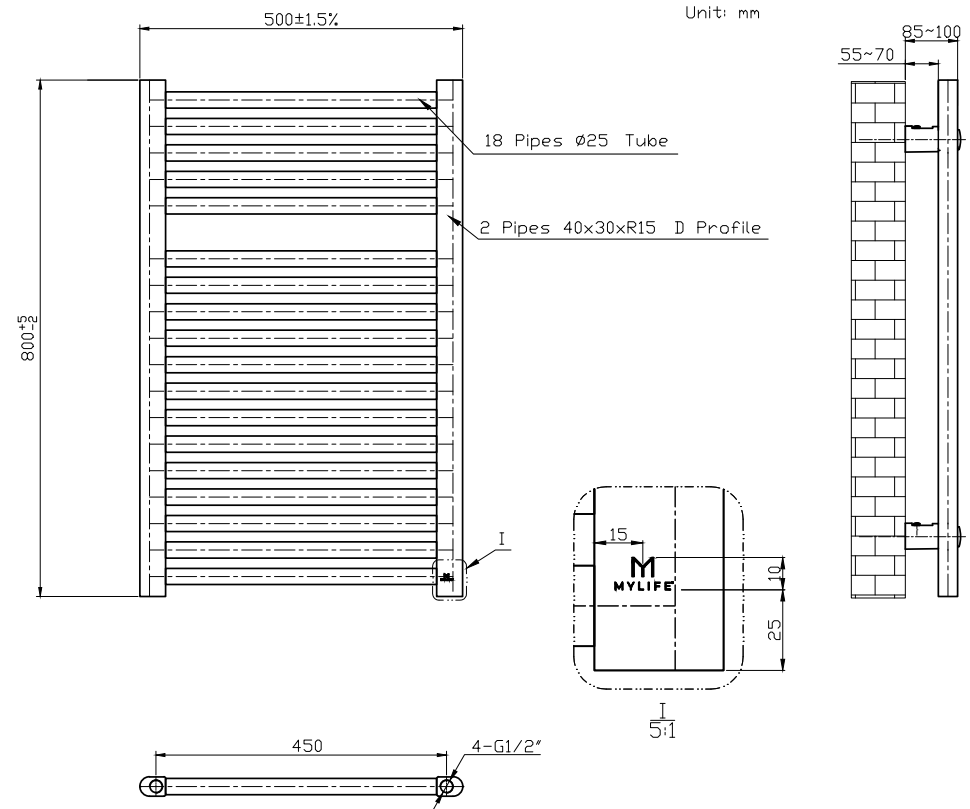


## Straight 25mm Bars

Code	Size mm	Pipe Centres	Cross Bars	BTU $\Delta$ 50°C	BTU $\Delta$ 60°C
MLVI8X5STAN	H 800 x W 500	450	18	1393	1750



Please note due to manufacturing tolerances pipe centres may vary by +/- 10mm, we recommend that pipe work is not altered until your towel rail / radiator is on site. The information contained on this page was correct at date of issue. Fitting dimensions are provided as a guide only. We pursue a policy of continuing improvement in design and performance of our products and so reserve the right to change specifications without prior notice.