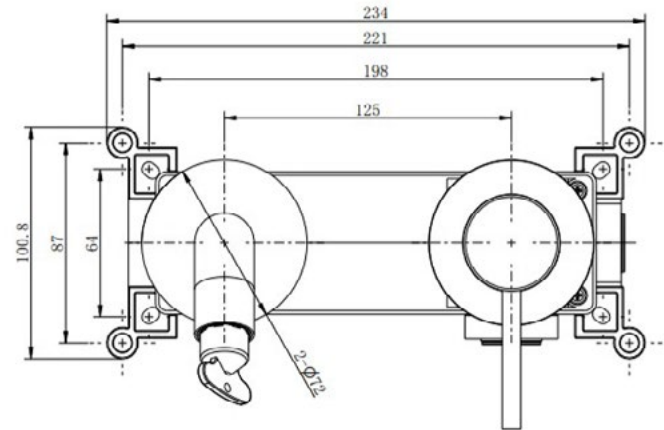
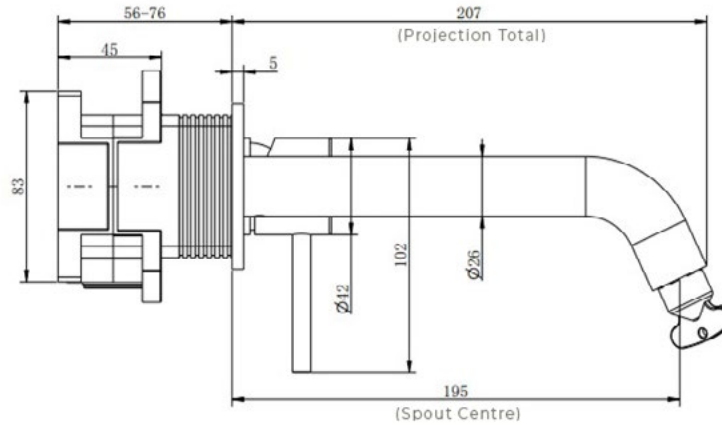


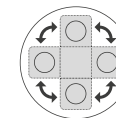
Ryver - Black Easy-Plumb Wall Mounted Bath Filler (Excludes Waste)

CONSTRUCTION	Brass Body
FINISHES	Matt Black Electro Plated
PRODUCT TYPE	Contemporary
WATER PRESSURE	Min. 1.0 Bar, Max. 6.0 Bar
PLUMBING SYSTEMS	Suitable for all plumbing systems, Hot and Cold water pressure preferably balanced. Max. supply pressure differential requirement no greater than 5:1
STANDARDS	Complies with BS 6920, BS EN 200
CERTIFICATION	Manufactured to Comply with WRAS (approval pending)
CARTRIDGE	Hansen Cartridge
AERATOR	Flow Straightener
FITTING	Easy-Plumb Box
FLEXI TAILS	N/A
WASTE	Excludes Waste
MORE INFO	Interchangeable design for horizontal & vertical installation



Flow Rates (Litres per minute)

SYSTEM PRESSURE	0.1 Bar	0.2 Bar	0.3 Bar	0.5 Bar	1.0 Bar	1.5 Bar	2.0 Bar	3.0 Bar	4.0 Bar	5.0 Bar
	3.4	4.9	6.1	8.2	11.9	14.7	17.2	21.4	24.9	27.9



Interchangeable Design for Horizontal & Vertical Installation

The information contained on this page was correct at date of issue. Fitting dimensions are provided as a guide only. Some variation may occur due to manufacturing tolerances. We pursue a policy of continuing improvement in design and performance of our products and so reserve the right to change specifications without prior notice.