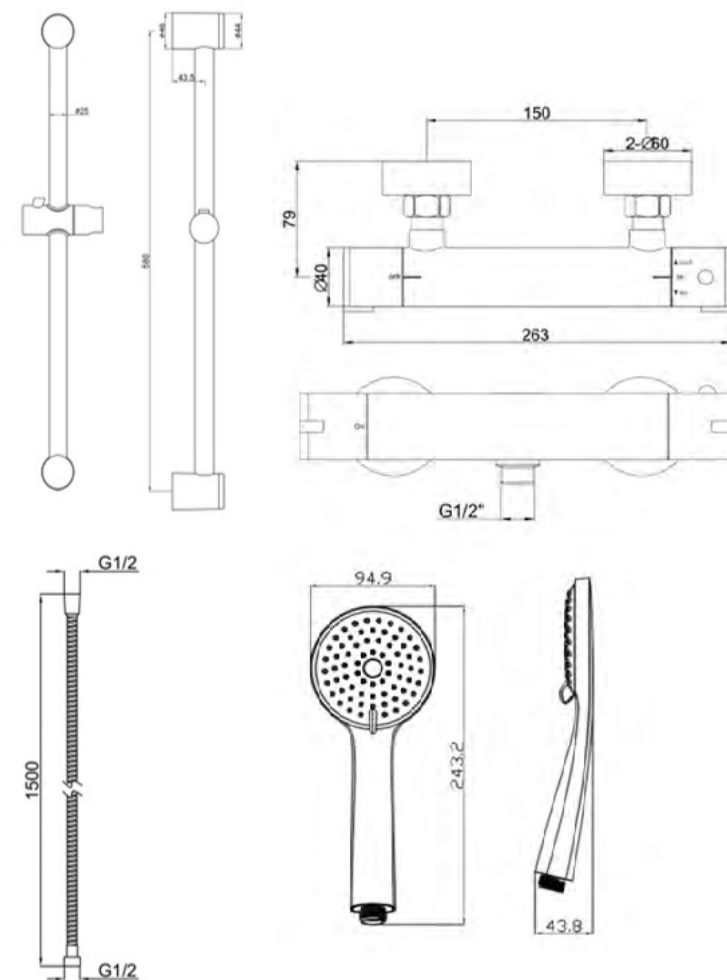


Alton Exposed Thermostatic Shower - MLSHALCP

CONSTRUCTION	Brass Body
FINISHES	Chrome Plated
PRODUCT TYPE	Contemporary
WATER PRESSURE	Min. 0.5 Bar, Max . 6.0 Bar
PLUMBING SYSTEMS	Suitable for all plumbing systems, preferably balanced. Min. supply pressure differential requirement is 5:1
STANDARDS	Complies with BSEN 1111
CERTIFICATION	WRAS & TMV2 Approved & Certified
CARTRIDGE	On/Off - Hassem Thermostatic - Wanhai
FITTING	Easy Fit Kit
ADDITIONAL INFO	Temperature Pre-set 38°C, with push button to override to 48°C Automatic shut off in the event of hot or cold water supply failure COOL Touch Bar Valve Technology Triple Function Handset 1.5m Stainless Steel Hose Check valve 0.5-0.10gpm



Flow Rates (Litres per minute)

SYSTEM PRESSURE	0.1 Bar	0.2 Bar	0.3 Bar	0.5 Bar	1.0 Bar	1.5 Bar	2.0 Bar	3.0 Bar	4.0 Bar	5.0 Bar
	6.0	7.0	-	8.5	12.0	14.0	18.5	22.0	-	-

The information contained on this page was correct at date of issue. Fitting dimensions are provided as a guide only. Some variation may occur due to manufacturing tolerances. We pursue a policy of continuing improvement in design and performance of our products and so reserve the right to change specifications without prior notice.