

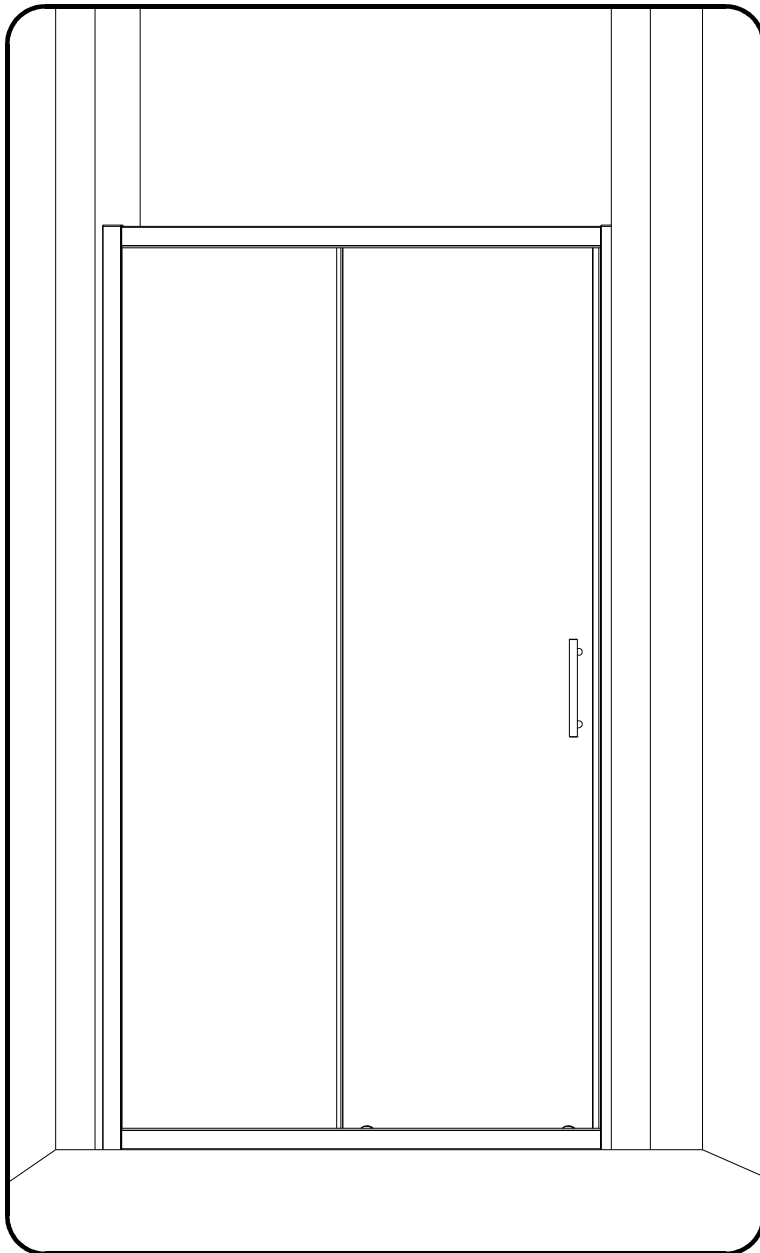
Sliding Door



MYLIFE

www.mylifebathrooms.com

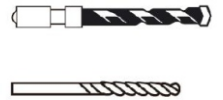
INSTALLATION INSTRUCTIONS



Tools Required



Drill



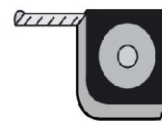
6mm Masonry Drill
3.2mm HSS Drill



Spirit level



Sealant Gun



Tape Measure



Pencil



**PH2 TYPE
Screwdriver**

Please note hand tools NOT supplied.

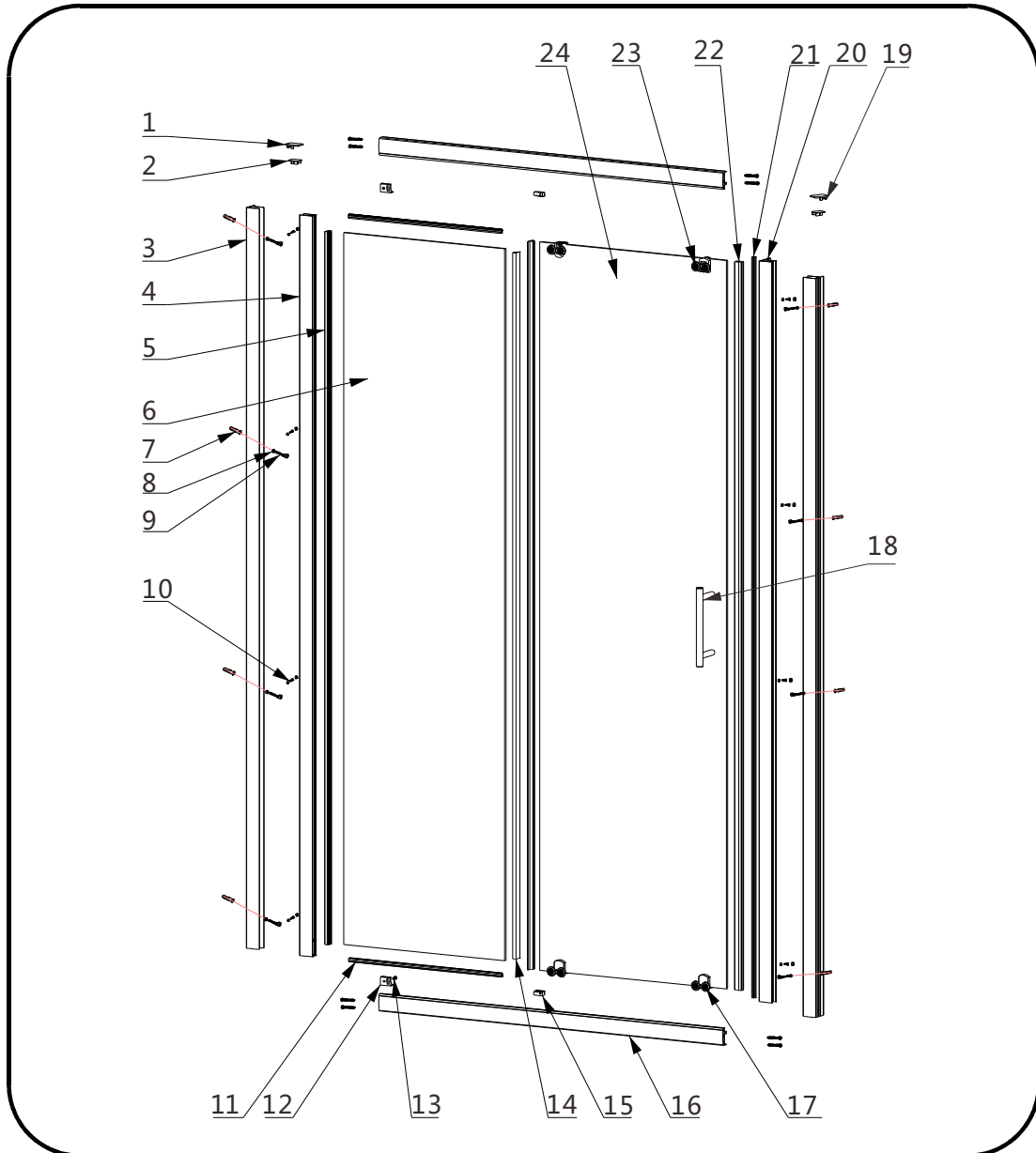
IMPORTANT

These instructions assume that installation is done against solid/tiled walls.

The wall plugs supplied with the installation kit are for use on solid walls. Hollow or stud walls will require alternative fixings. Please consult with a reputable trades person or hardware supplier for the correct type of fixings.

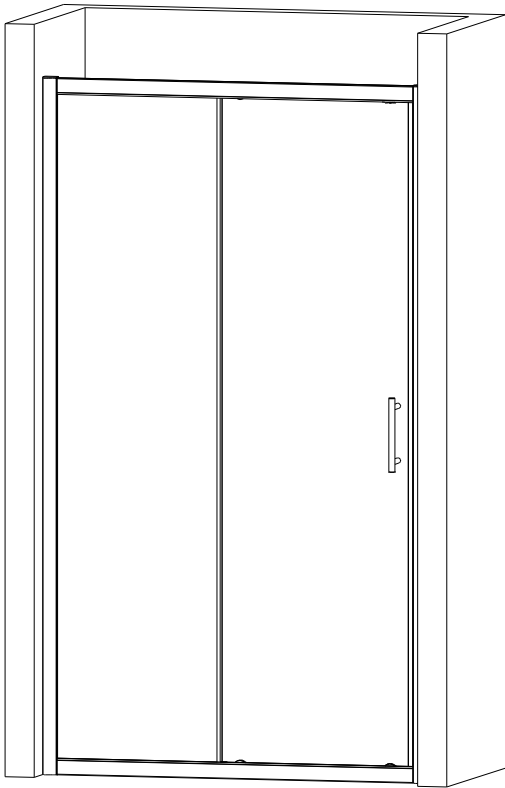
It may also be necessary to consult your tiling supplier about the correct method of drilling through your tiles.

Components And Box Contents

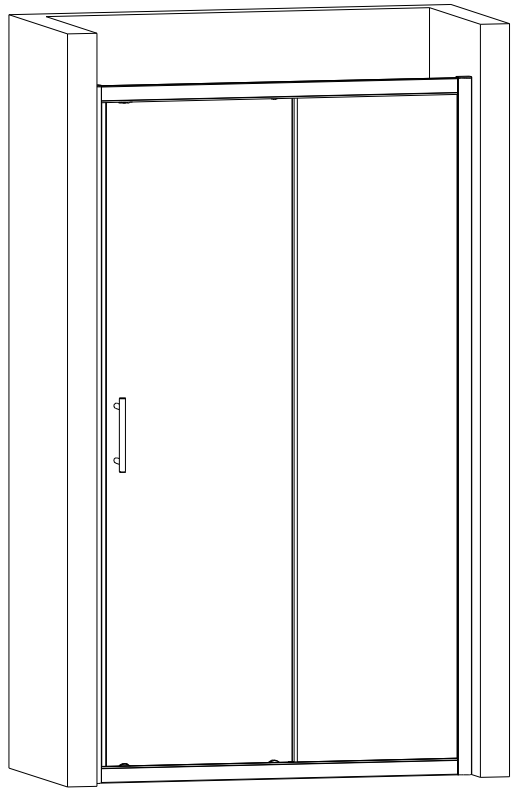


NO.	Code	Description	Qty	NO.	Code	Description	Qty
1	BNSL-01	Left Cover caps	1	13	BNSL-13	Screw M4*8	2
2	BNSL-02	Cover Caps	2	14	BNSL-14	Vertical Seal	2
3	BNSL-03	Wall Profile	2	15	BNSL-15	Chrome Piece	2
4	BNSL-04	Fixed Profile	2	16	BNSL-16	Rail Profile	2
5	BNSL-05	U-Shape Seal	2	17	BNSL-17	Bottom Roller	2
6	BNSL-06	Fixed Glass Panel	2	18	BNSL-18	Handle	1
7	BNSL-07	Wall Plug	8	19	BNSL-19	Right Cover Caps	1
8	BNSL-08	Screw cover Caps	8	20	BNSL-20	Magnetic Profile	1
9	BNSL-09	Screw M4*30	8	21	BNSL-21	Magnetic Seal A	1
10	BNSL-10	Screw M4*10	8	22	BNSL-22	Magnetic Seal B	1
11	BNSL-11	Seals	2	23	BNSL-23	Top Roller	2
12	BNSL-12	Stopper	2	24	BNSL-24	Moving Glass Panel	1

Left

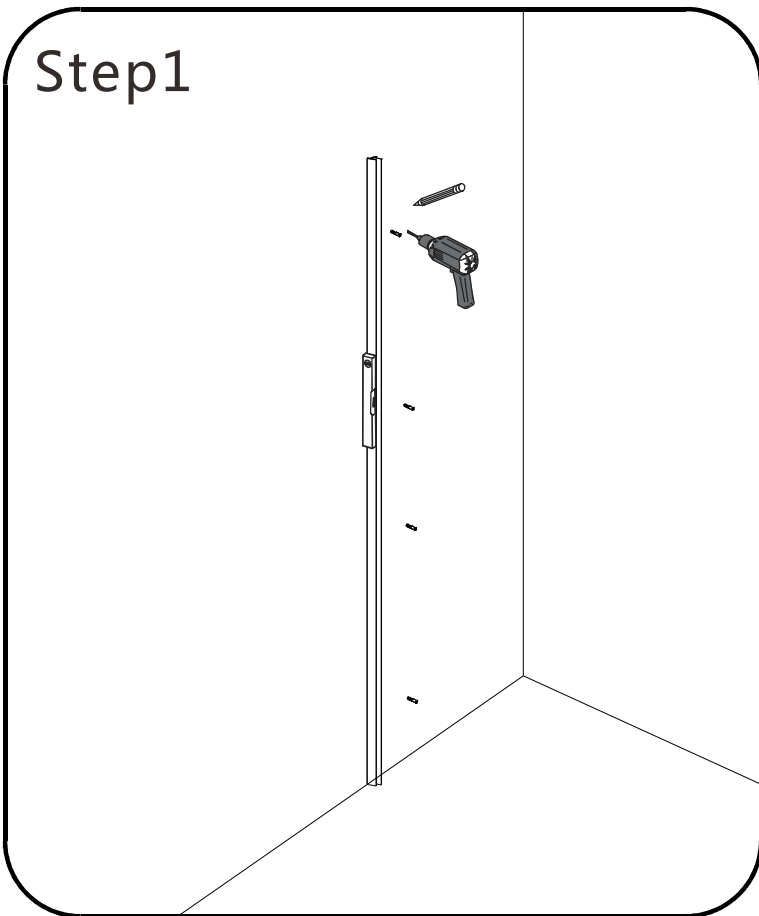


Right



Installation Steps

Step 1

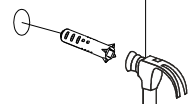


1-A

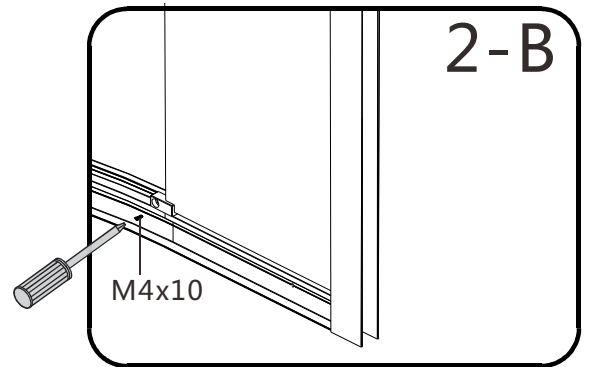
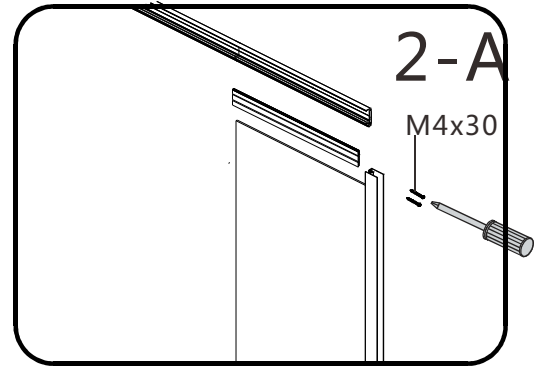
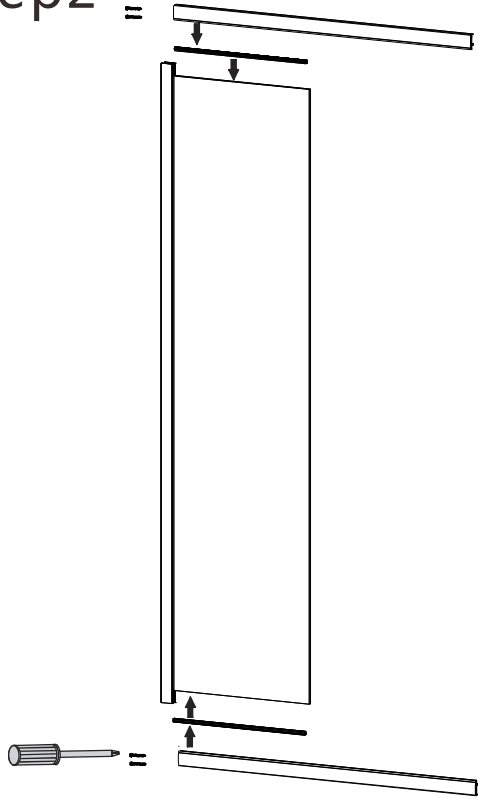


$\Phi 6$ drill bit

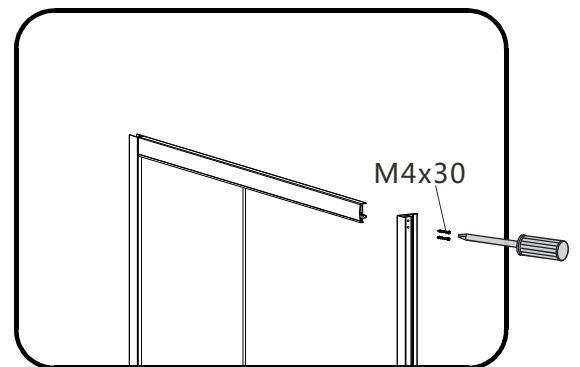
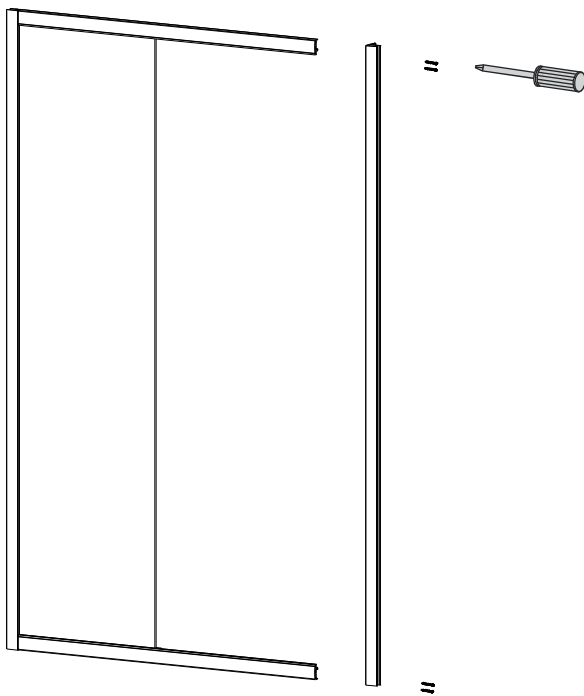
1-B



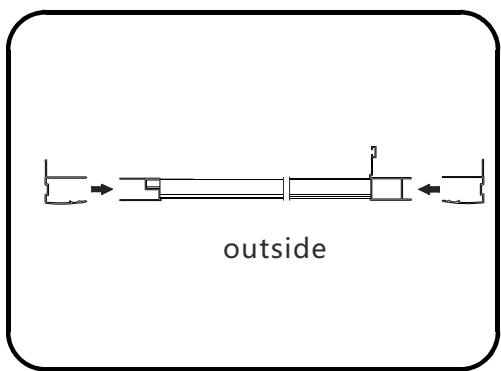
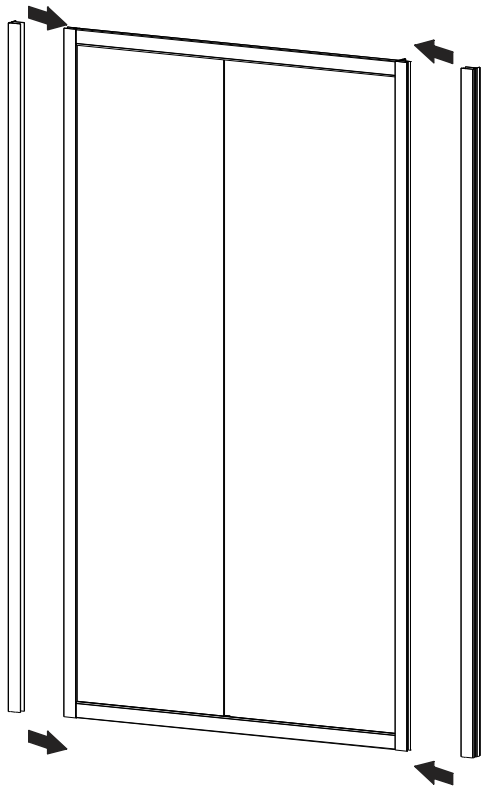
Step2



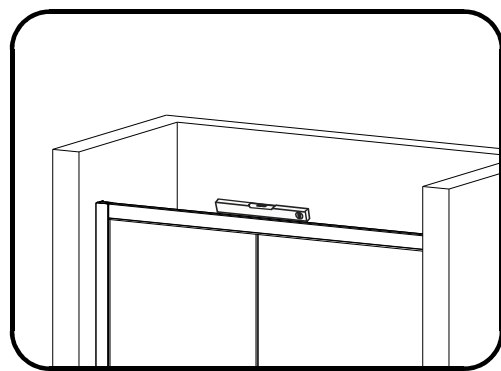
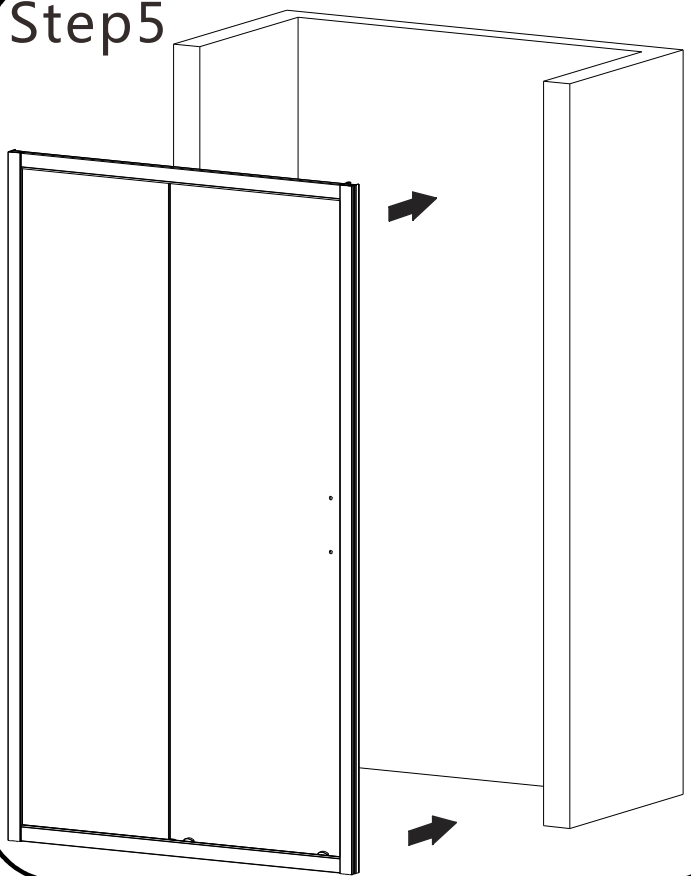
Step3



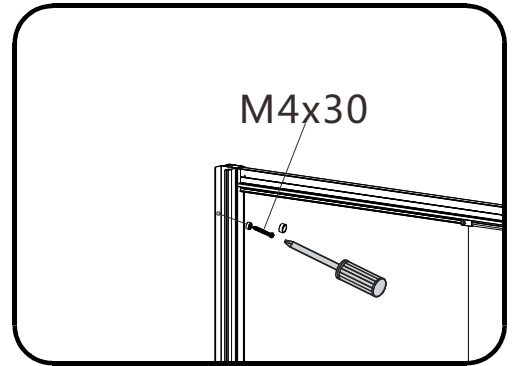
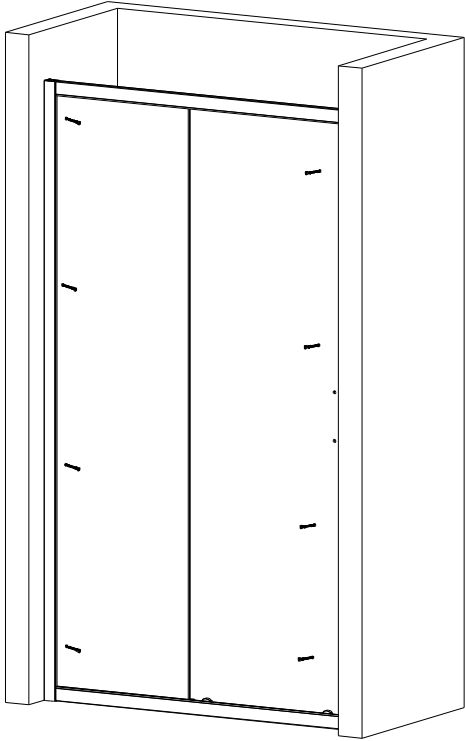
Step4



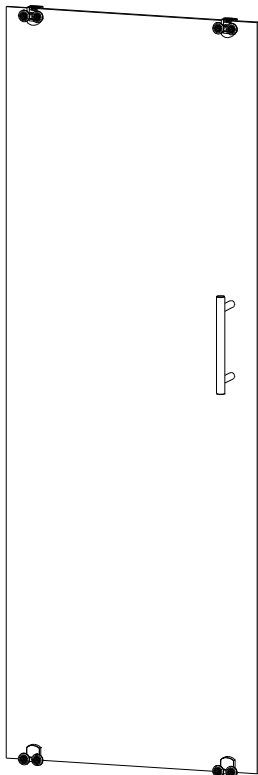
Step5



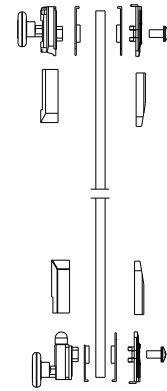
Step 6



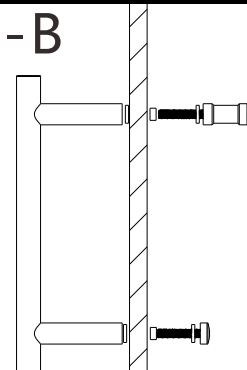
Step 7



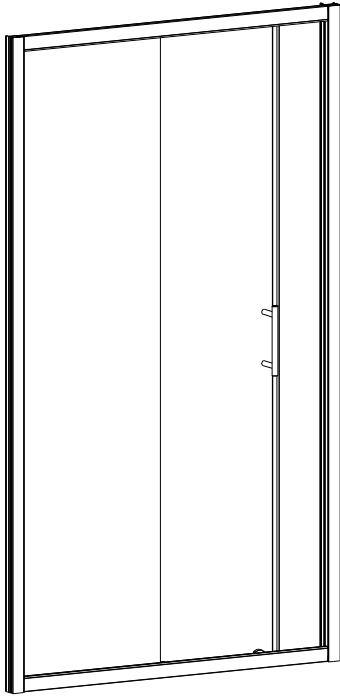
7-A



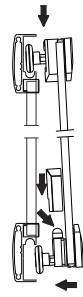
7-B



Step 8

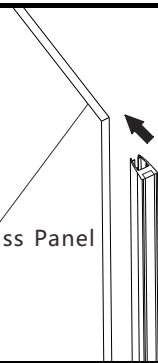


8-A

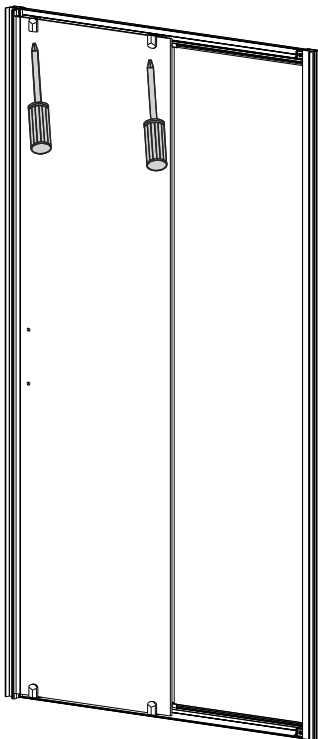


8-B

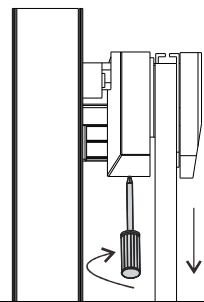
Moving Glass Panel



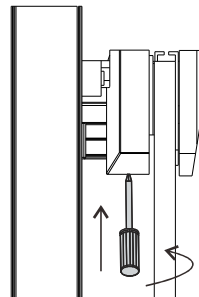
Step 9



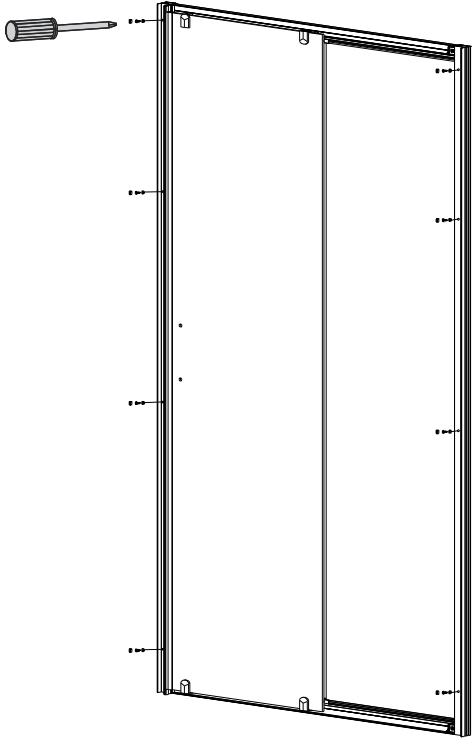
9-A



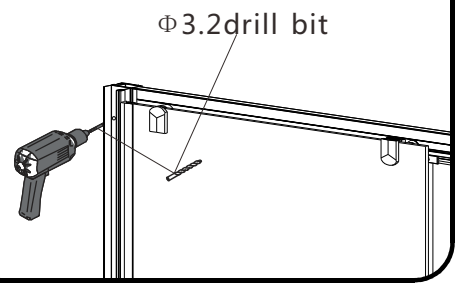
9-B



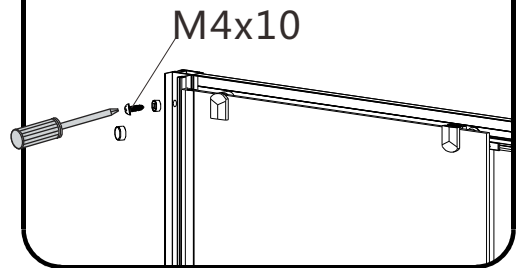
Step10



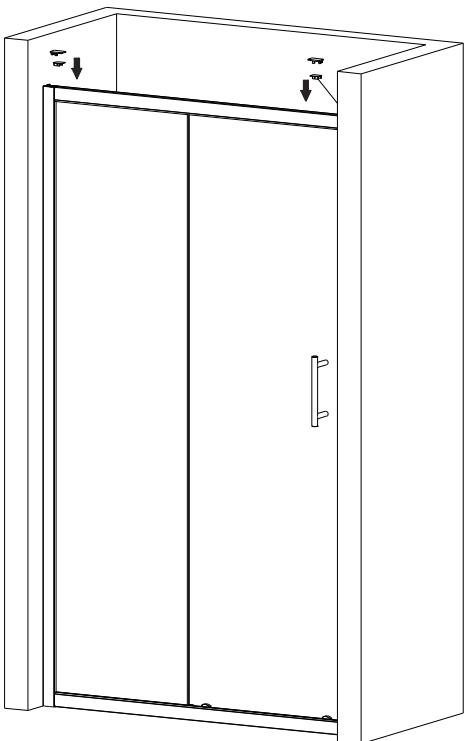
10-A



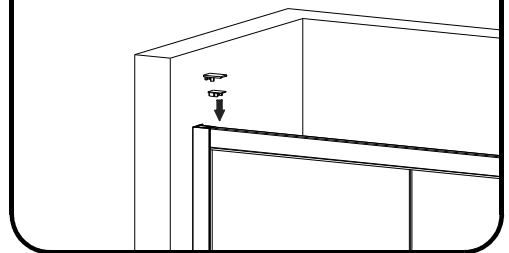
10-B



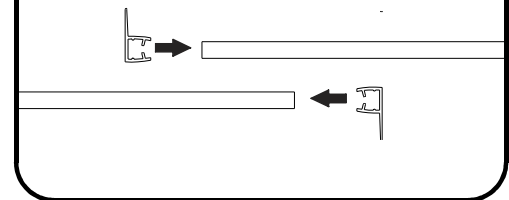
Step11



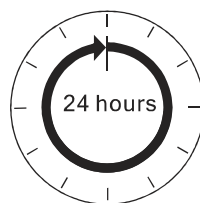
11-A



11-B



Step 11

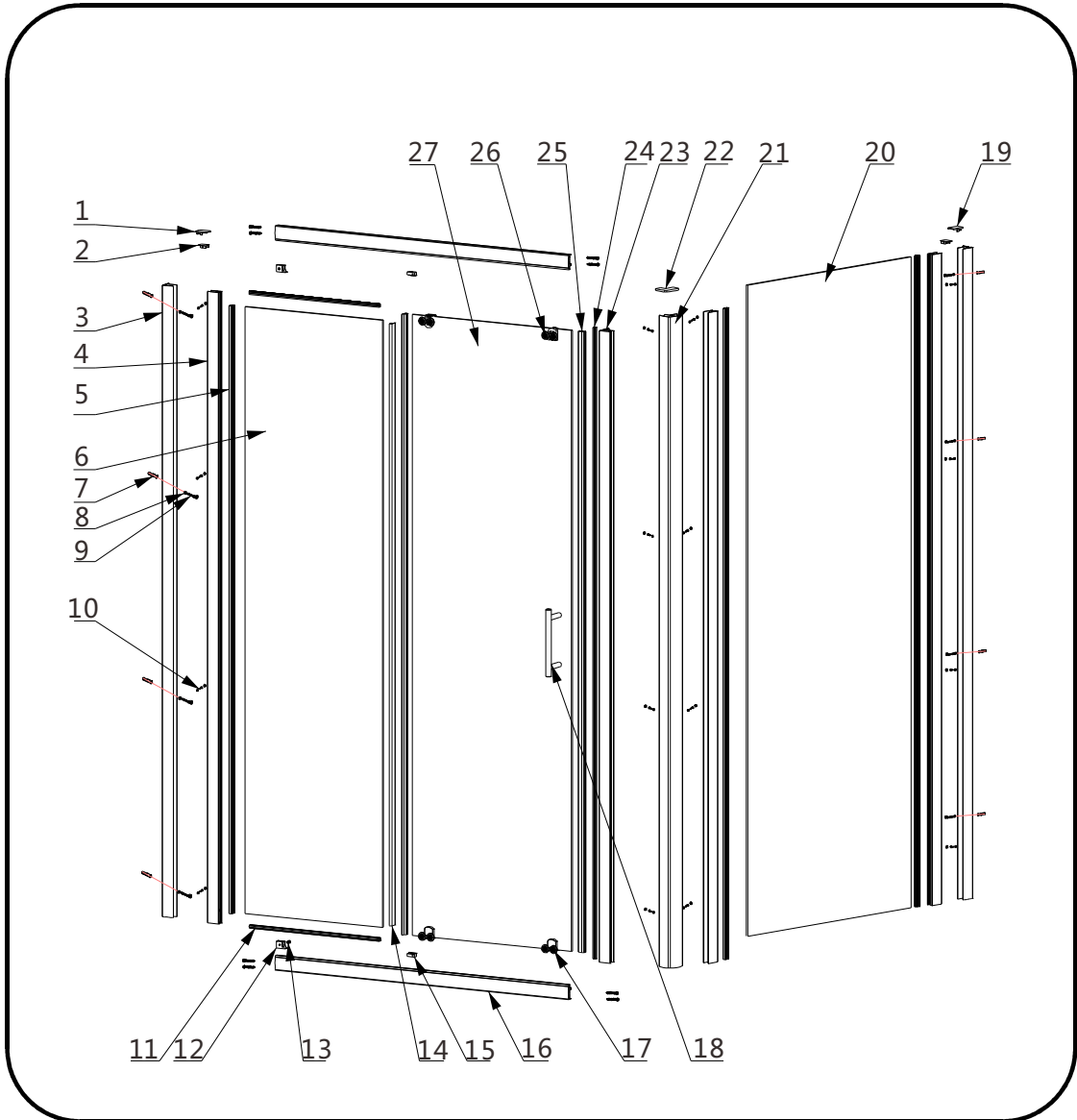


Allow 24 hours for silicone to dry before use.

Silicone on the outside edge only

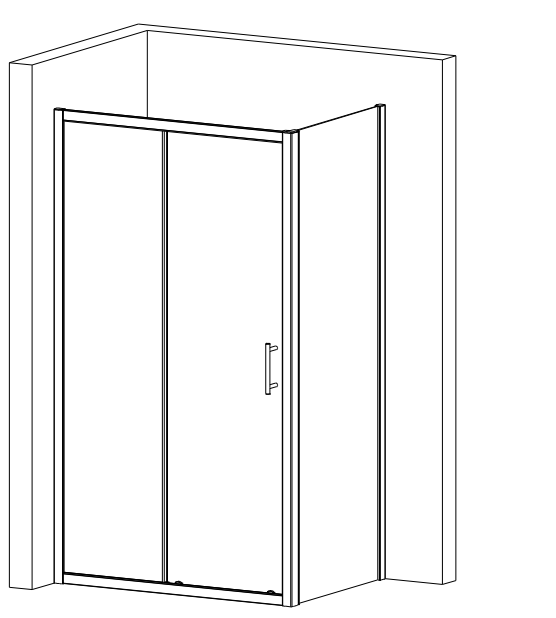
Sliding Door With Side Panel

Components And Box Contents

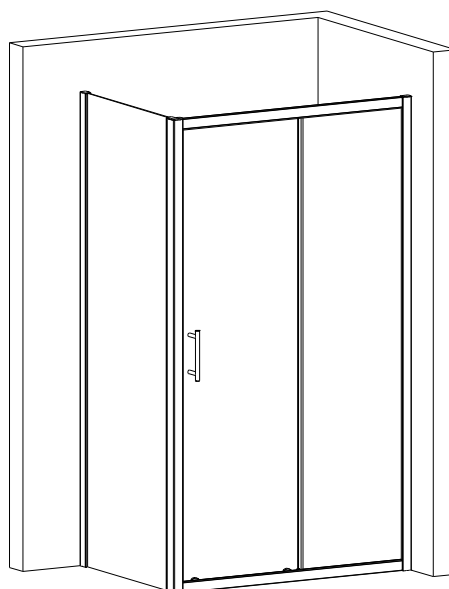


NO.	Code	Description	Qty	NO.	Code	Description	Qty
1	BNSL-01	Left Cover caps	1	15	BNSL-15	Chrome Piece	2
2	BNSL-02	Cover Caps	2	16	BNSL-16	Rail Profile	2
3	BNSL-03	Wall Profile	2	17	BNSL-17	Bottom Roller	2
4	BNSL-04	Fixed Profile	2	18	BNSL-18	Handle	1
5	BNSL-05	U-Shape Seal	2	19	BNSL-19	Right Cover Caps	1
6	BNSL-06	Fixed Glass Panel	2	20	BNSL-20	Side Panel	1
7	BNSL-07	Wall Plug	16	21	BNSL-21	Corner Profile	1
8	BNSL-08	Screw cover Caps	16	22	BNSL-22	Cover Caps	1
9	BNSL-09	Screw M4*30	16	23	BNSL-23	Magnetic Profile	1
10	BNSL-10	Screw M4*10	16	24	BNSL-24	Magnetic Seal A	1
11	BNSL-11	Seals	2	25	BNSL-25	Magnetic Seal B	1
12	BNSL-12	Stopper	2	26	BNSL-26	Top Roller	2
13	BNSL-13	Screw M4*8	2	27	BNSL-27	Moving Glass Panel	1
14	BNSL-14	Vertical Seal	2				

Left

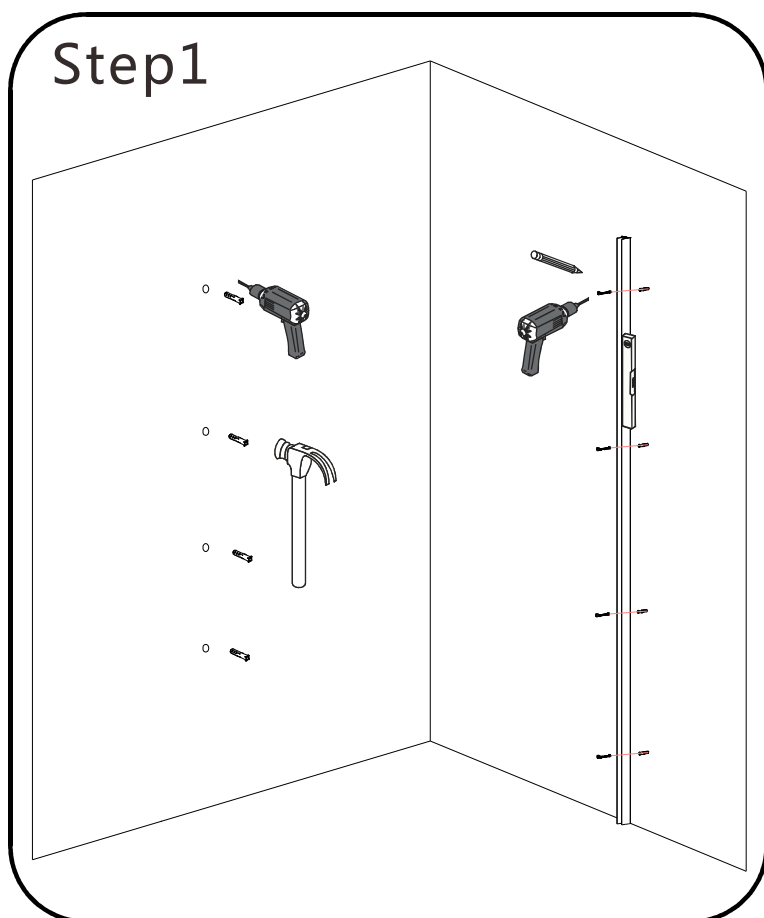


Right

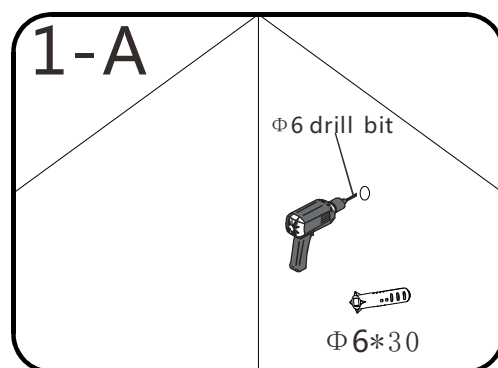


Installation Steps

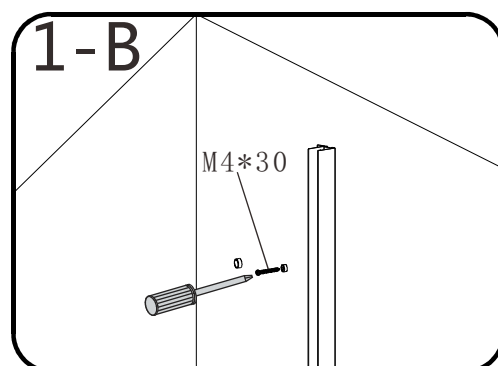
Step1



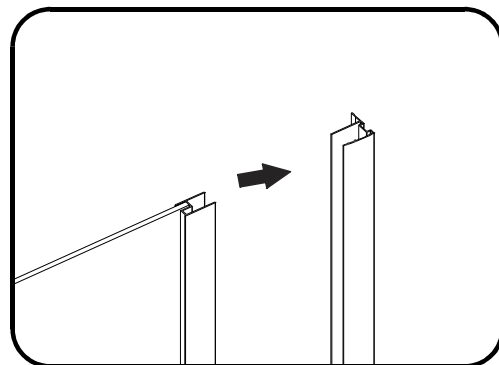
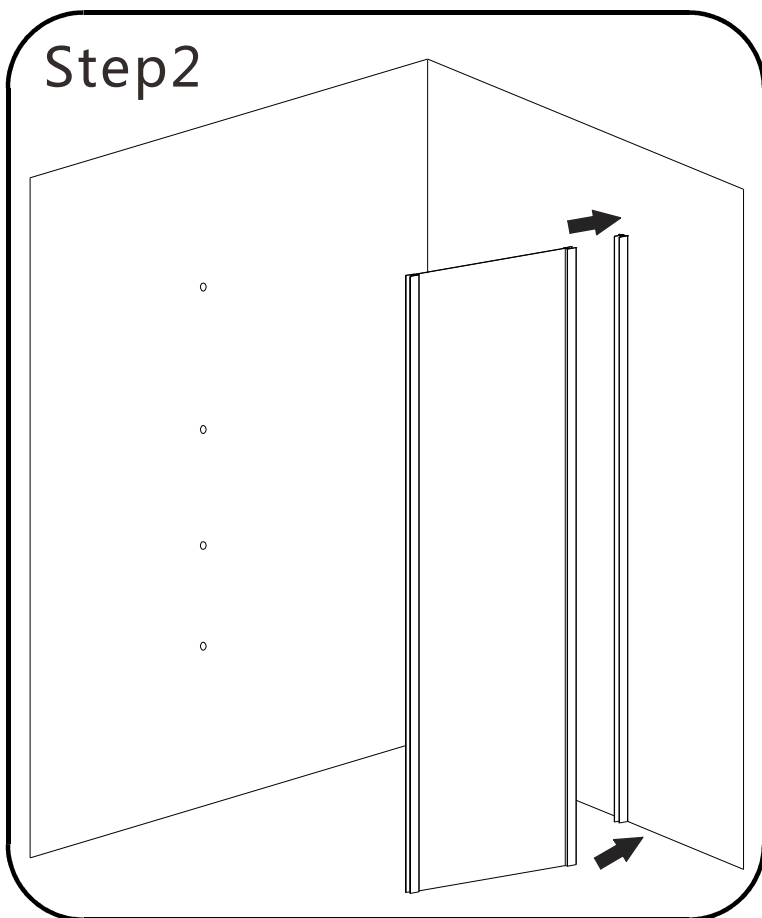
1-A



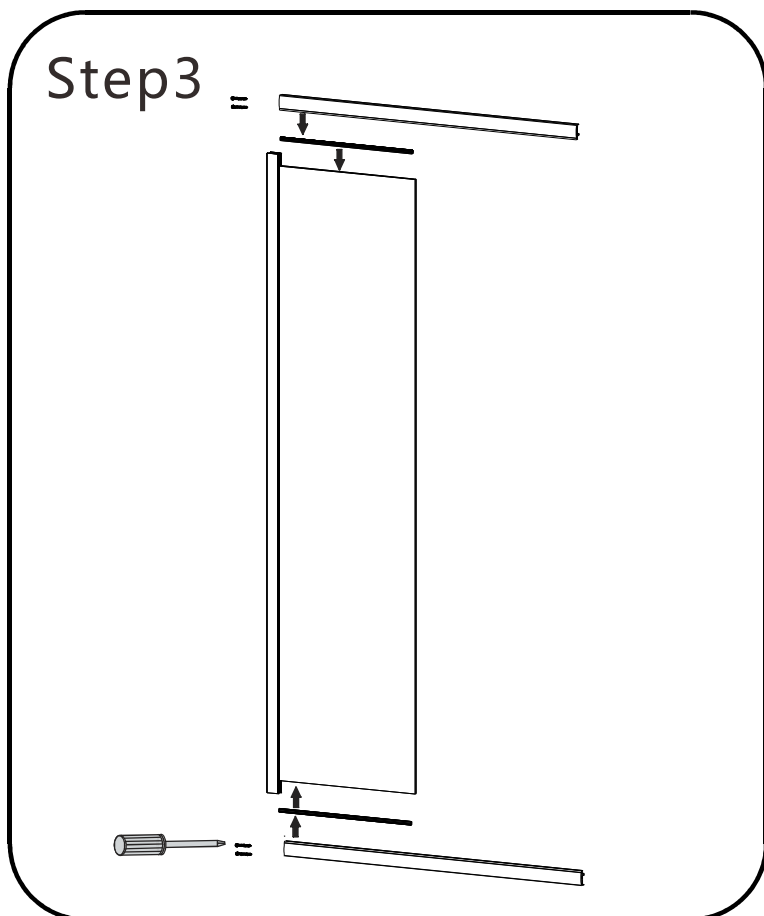
1-B



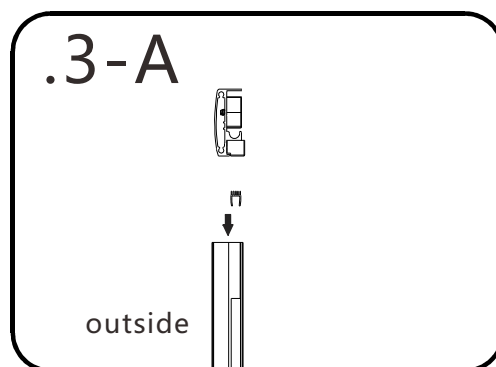
Step 2



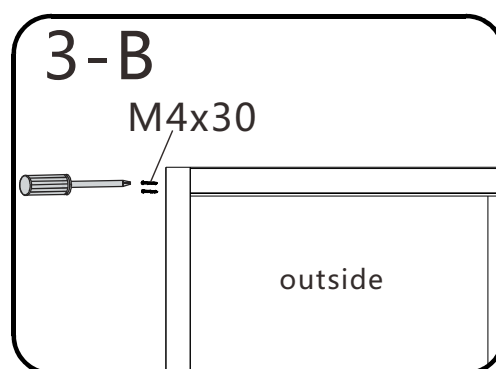
Step 3



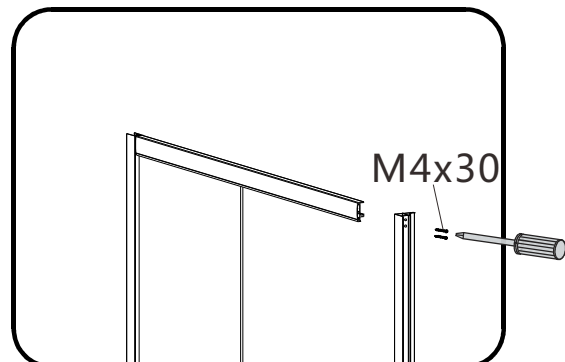
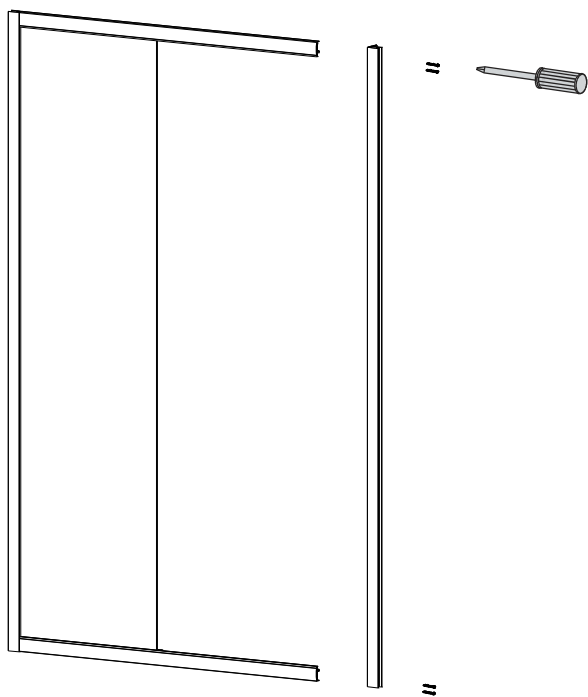
.3-A



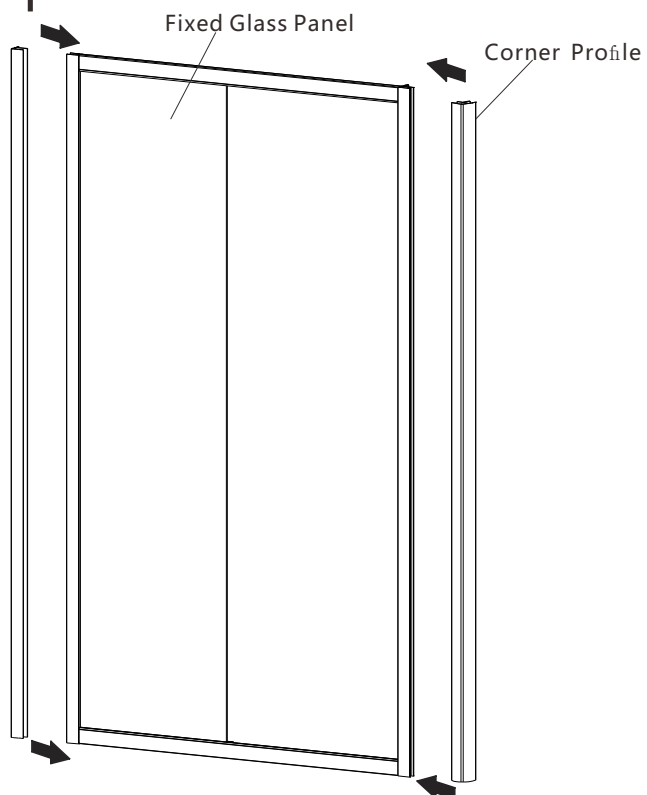
3-B



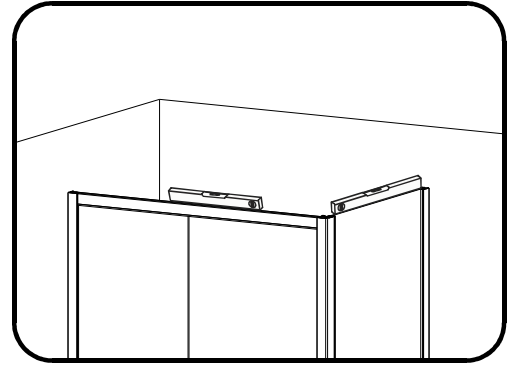
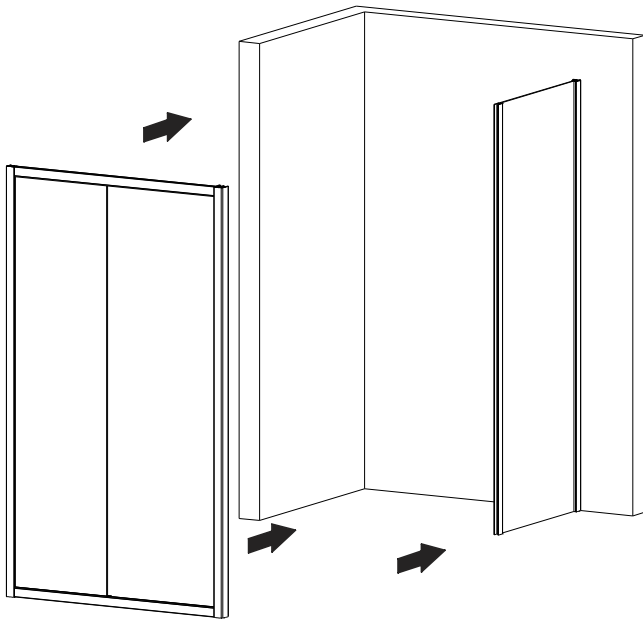
Step4



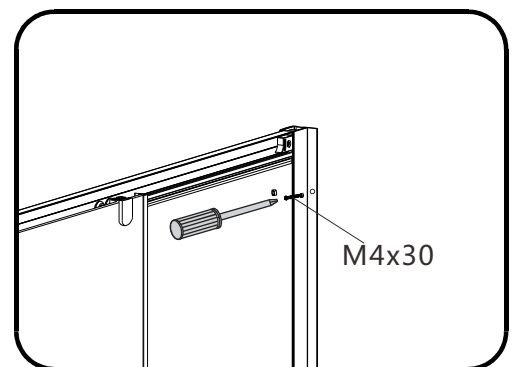
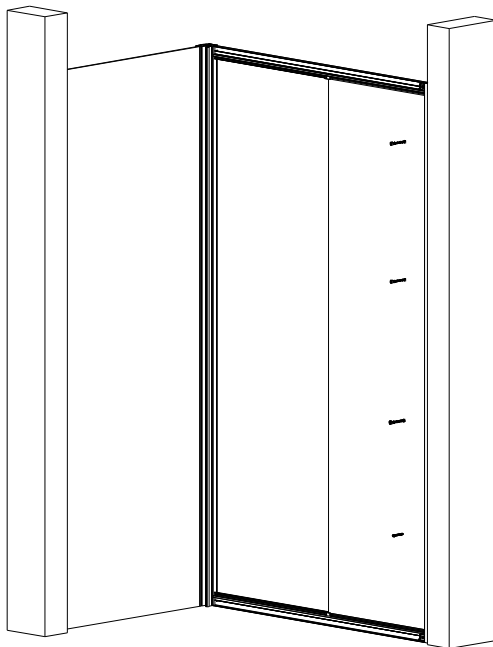
Step5



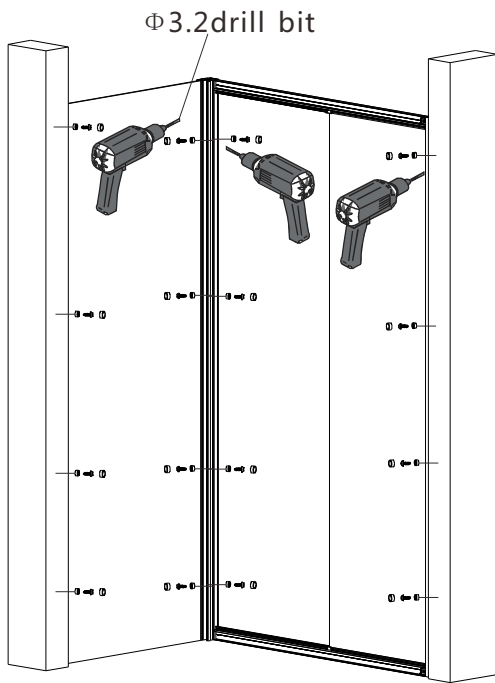
Step 6



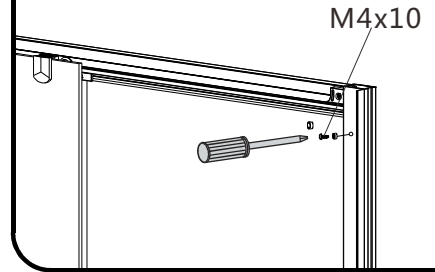
Step 7



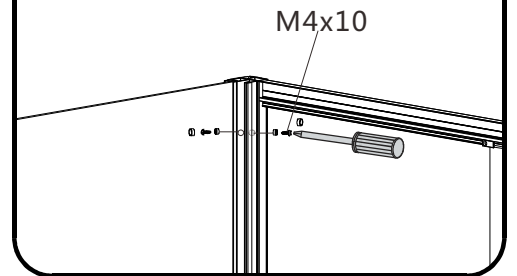
Step 8



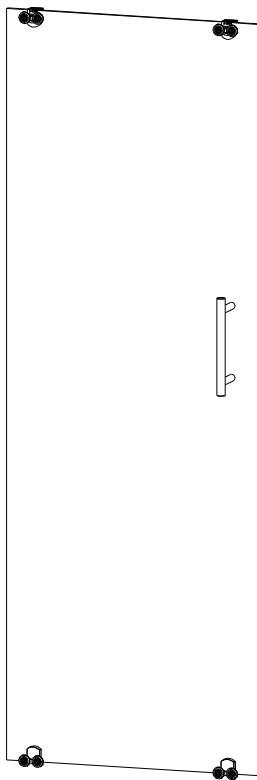
8-A



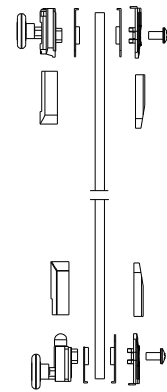
8-B



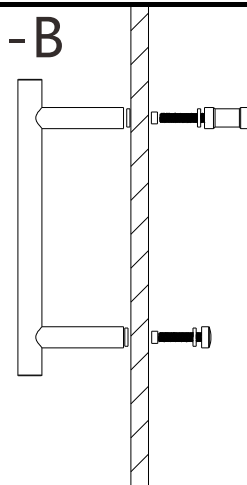
Step 9



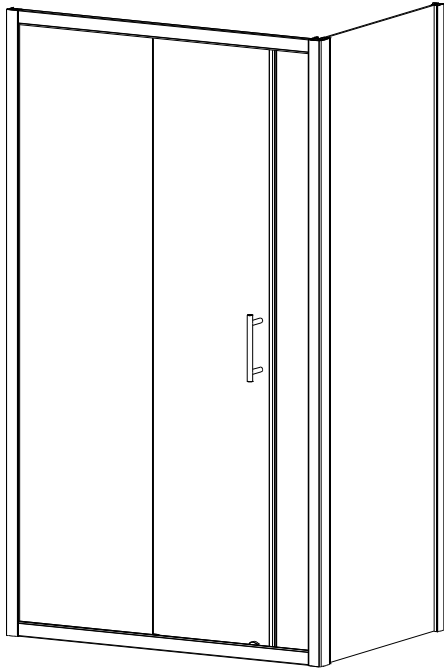
9-A



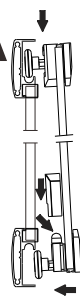
9-B



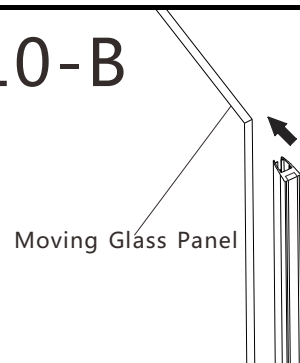
Step10



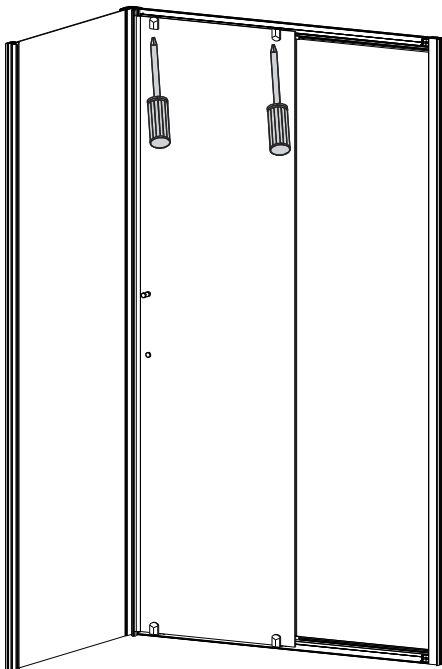
10-A



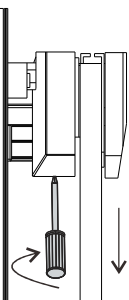
10-B



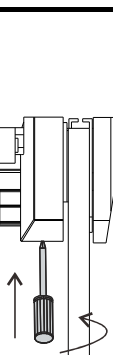
Step11



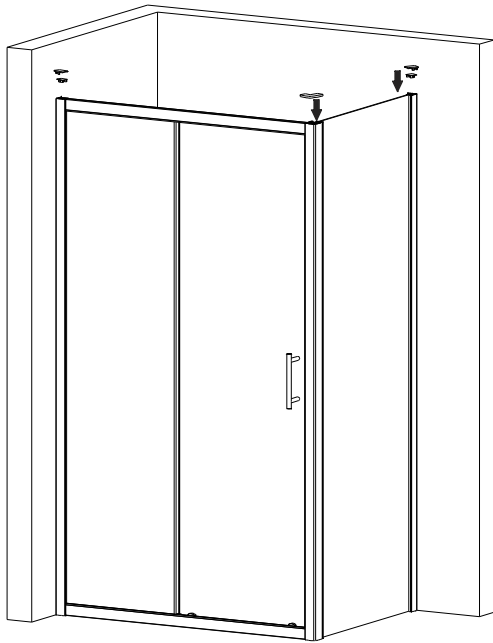
11-A



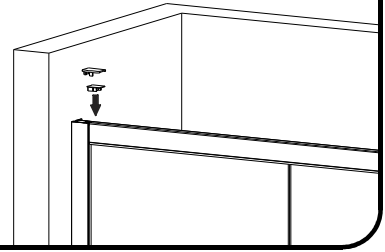
11-B



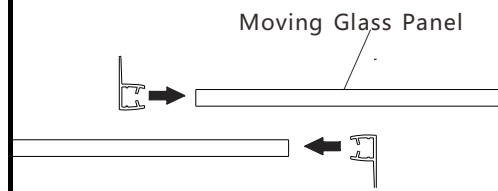
Step12



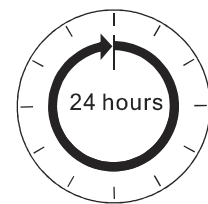
12-A



12-B



Step13



Allow 24 hours for silicone to dry before use.

Silicone on the outside edge only