

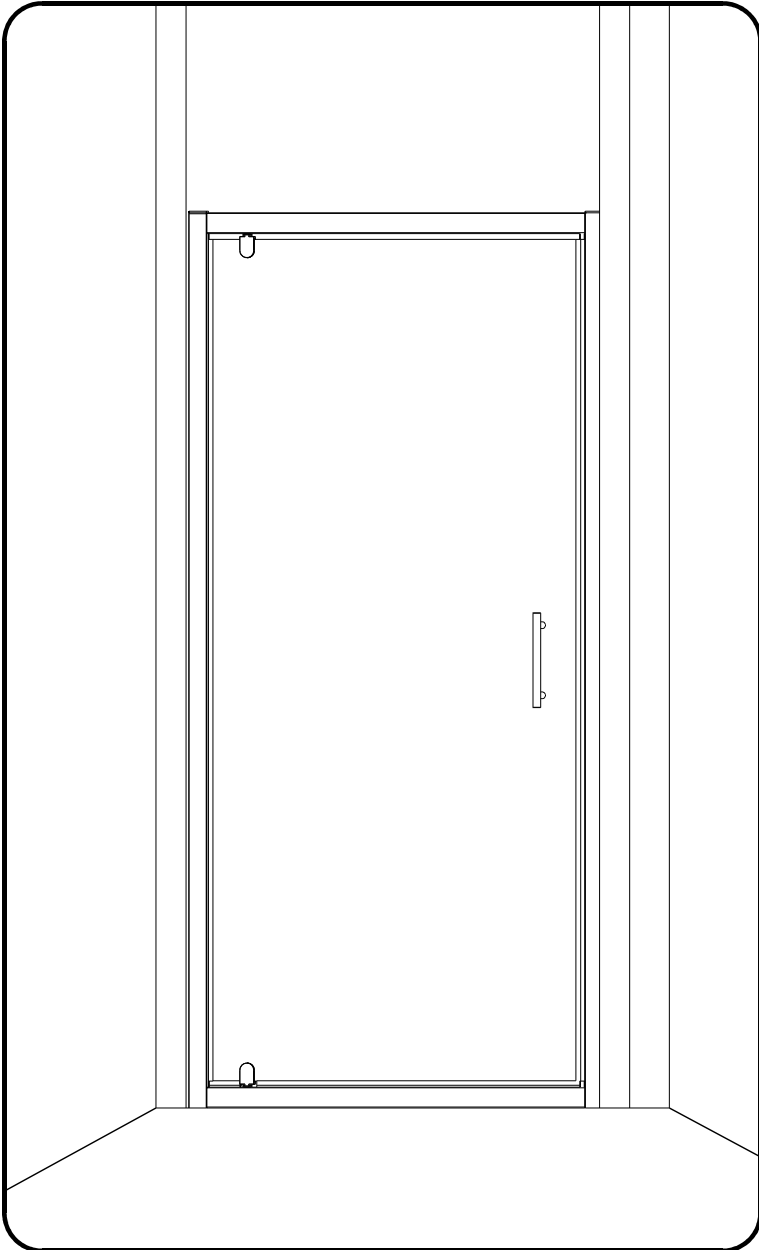
# Pivot Door



MYLIFE

www.mylifebathrooms.com

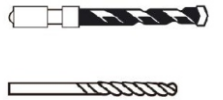
## INSTALLATION INSTRUCTIONS



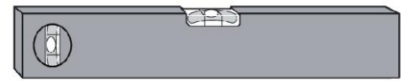
### Tools Required



**Drill**



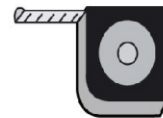
6mm Masonry Drill  
3.2mm HSS Drill



**Spirit level**



**Sealant Gun**



**Tape Measure**



**Pencil**



**PH2 TYPE  
Screwdriver**

Please note hand tools NOT supplied.

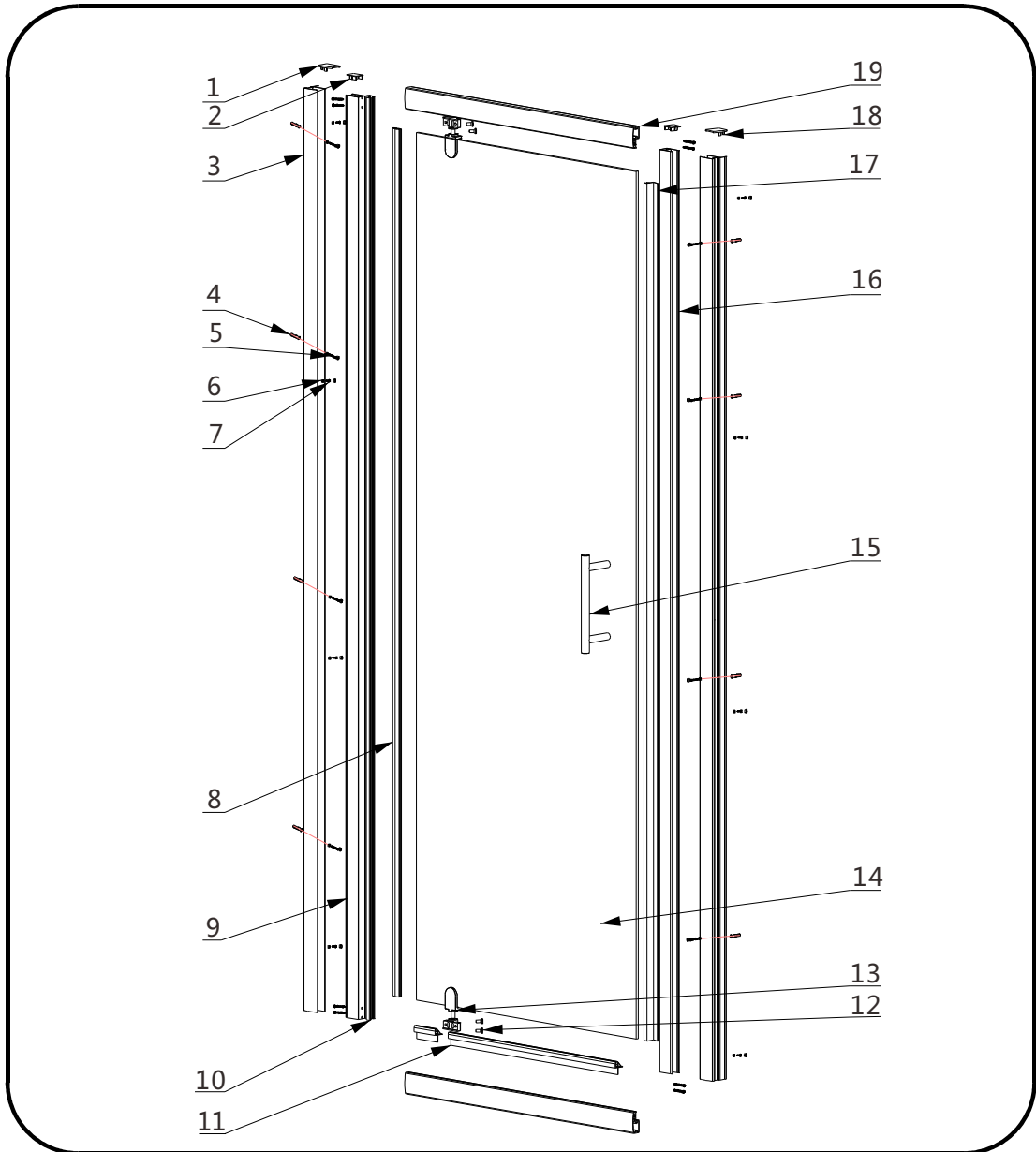
## IMPORTANT

These instructions assume that installation is done against solid/tiled walls.

The wall plugs supplied with the installation kit are for use on solid walls. Hollow or stud walls will require alternative fixings. Please consult with a reputable trades person or hardware supplier for the correct type of fixings.

It may also be necessary to consult your tiling supplier about the correct method of drilling through your tiles.

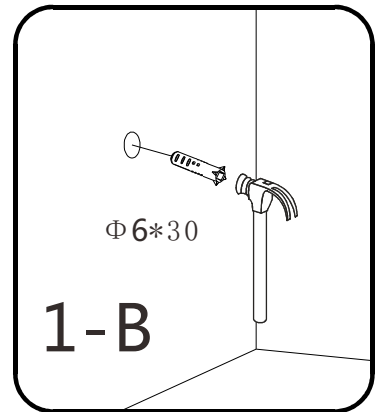
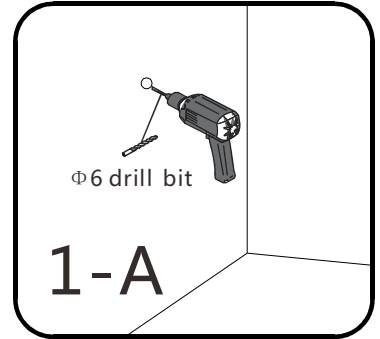
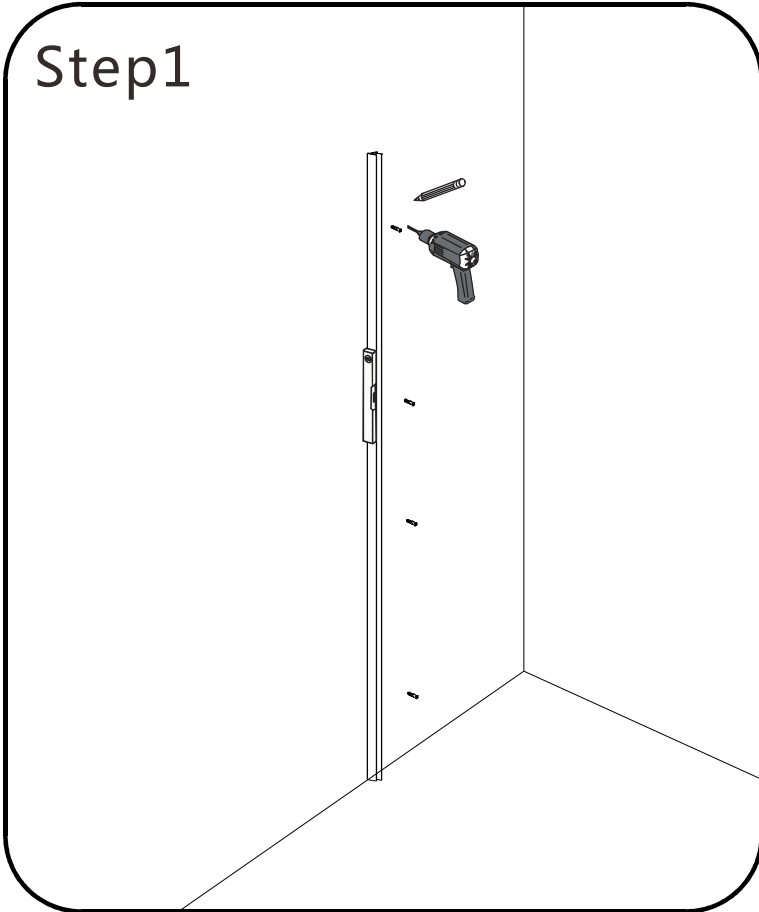
# Components And Box Contents



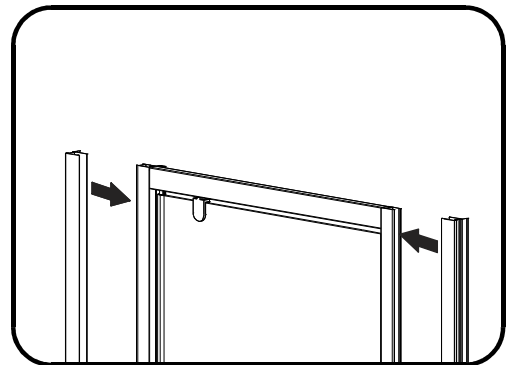
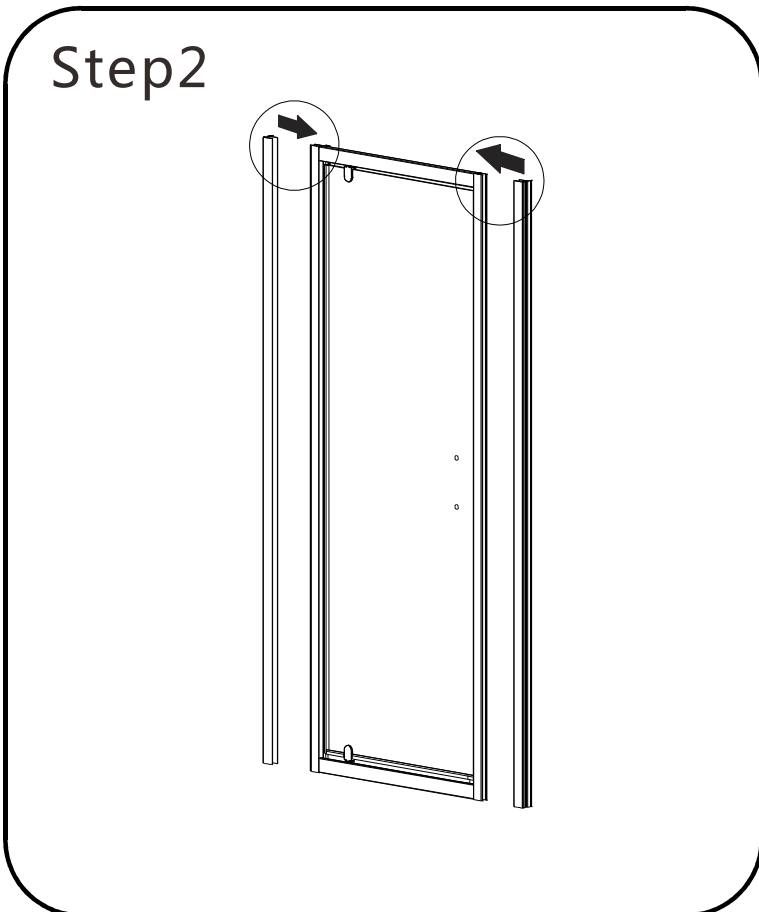
NO.	Code	Description	Qty	NO.	Code	Description	Qty
1	BNPD-01	Left Cover Caps A	1	11	BNPD-11	Bottom Seal	1
2	BNPD-02	Cover Caps B	2	12	BNPD-12	Flat Head Screw M4x10	4
3	BNPD-03	Wall Profile	2	13	BNPD-13	Brass Pivot	2
4	BNPD-04	Wall Plug	8	14	BNPD-14	Moving Glass Panel	1
5	BNPD-05	Screw M4*30	16	15	BNPD-15	Handle	1
6	BNPD-06	Screw cover Caps	16	16	BNPD-16	Fixed Profile B	1
7	BNPD-07	Screw M4*10	8	17	BNPD-17	Vertical Seal	1
8	BNPD-08	Magnetic Strips Positive	1	18	BNPD-18	Right Cover Caps A	1
9	BNPD-09	Fixed Profile A	1	19	BNPD-19	Rail Profile	1
10	BNPD-10	Magnetic Strips Negative	1				

# Installation Steps

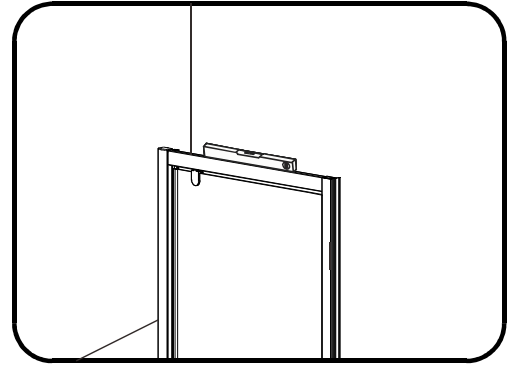
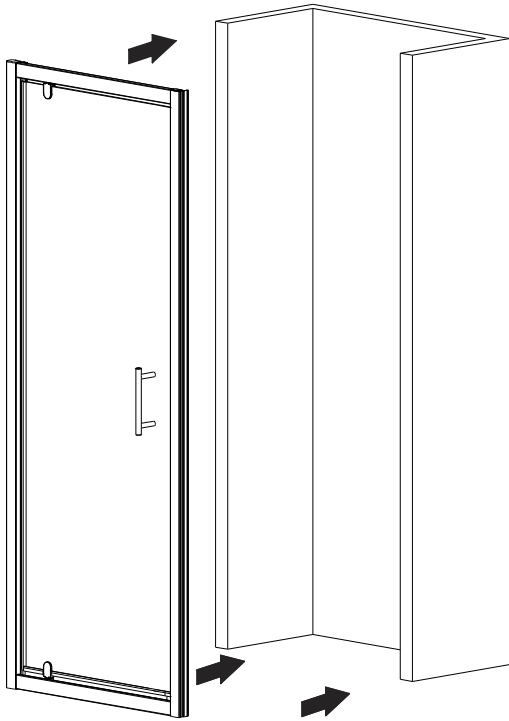
## Step1



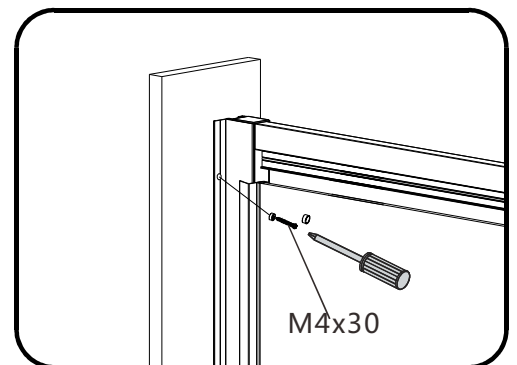
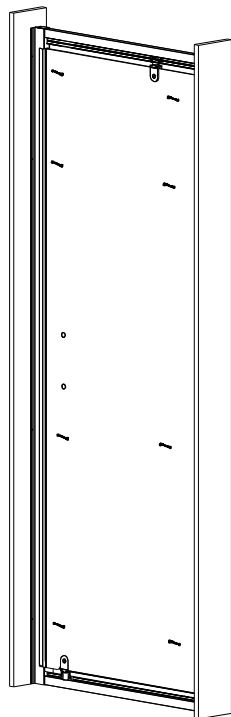
## Step2



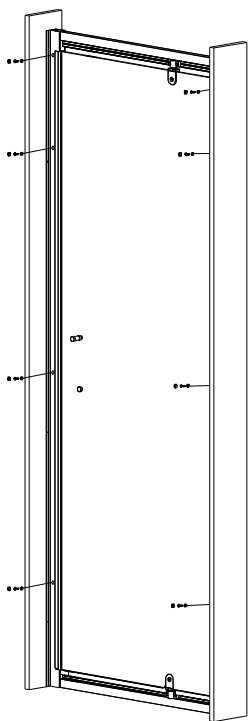
### Step 3



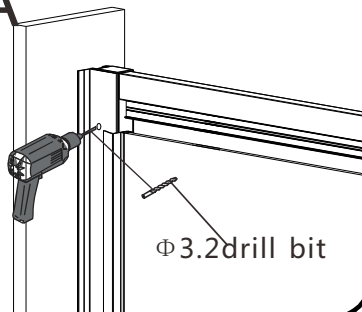
### Step 4



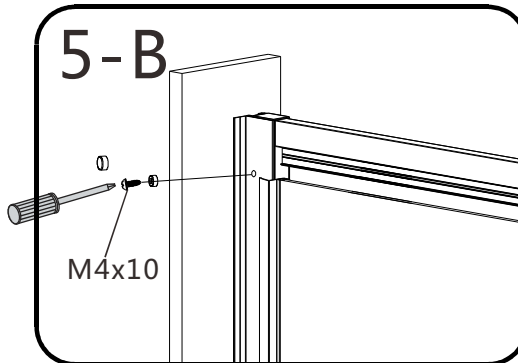
# Step5



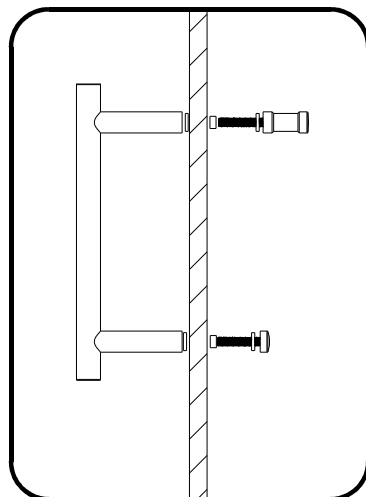
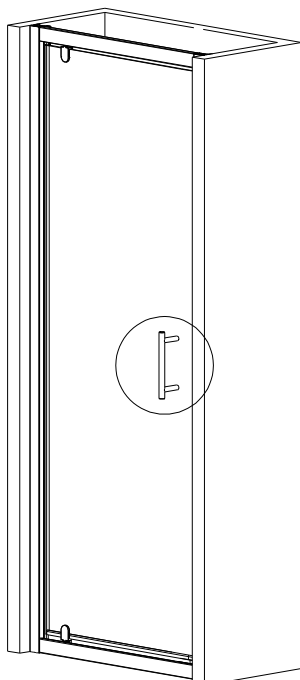
# 5-A



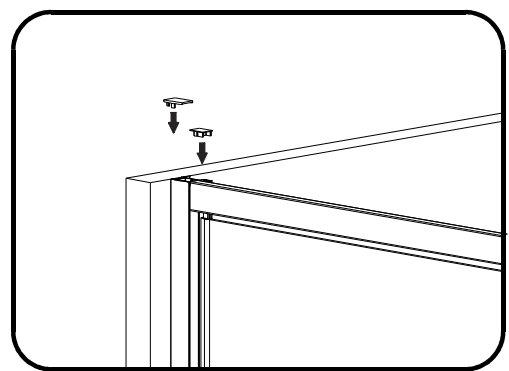
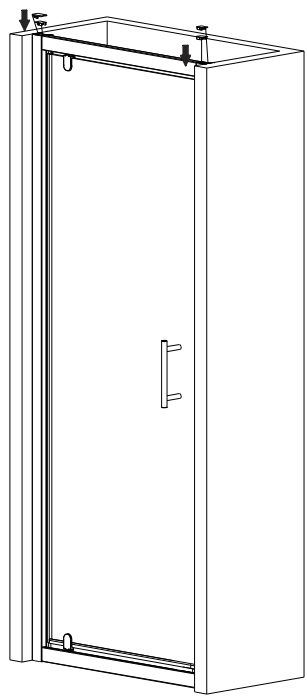
# 5-B



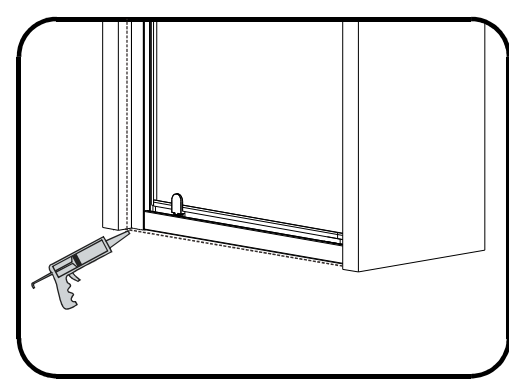
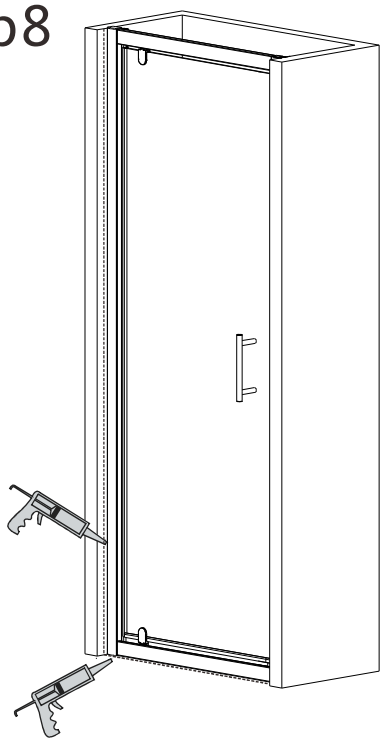
# Step7



# Step 7



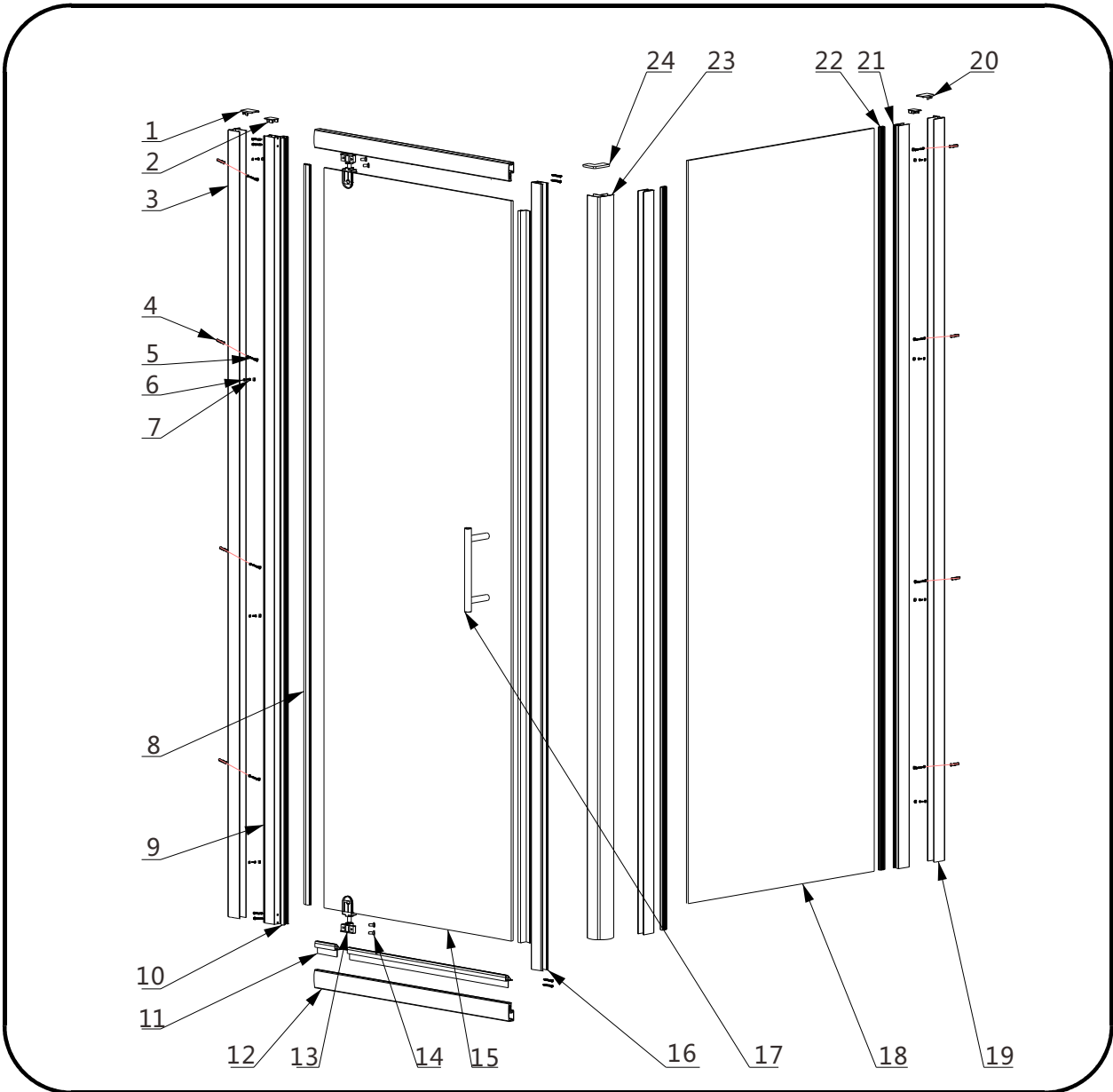
# Step 8



**Allow 24 hours for silicone to dry before use.**  
Silicone on the outside edge only

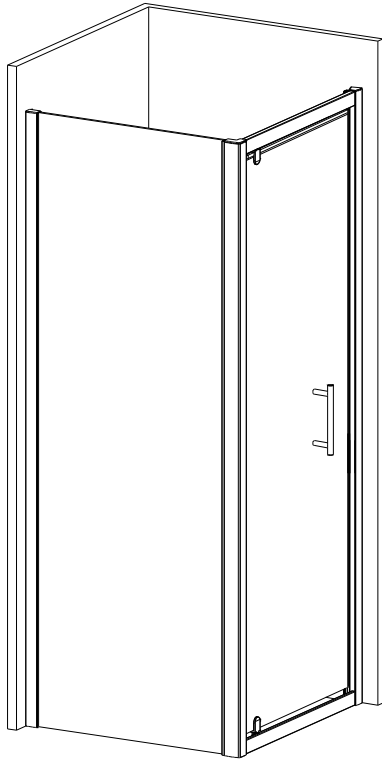
# Pivot Door With Side Panel

## Components And Box Contents

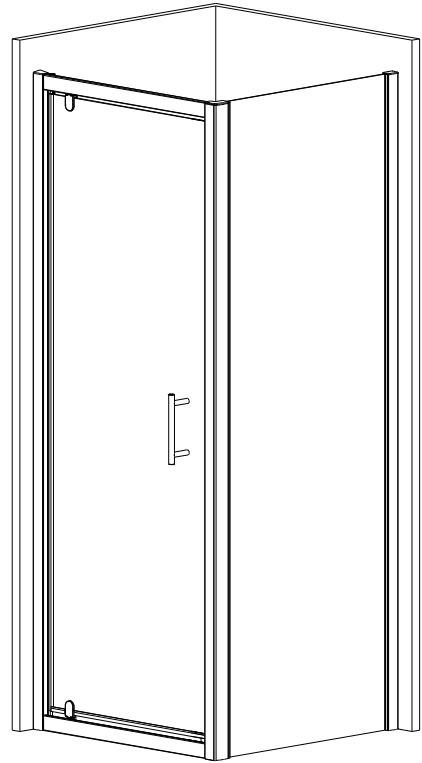


NO.	Code	Description	Qty	NO.	Code	Description	Qty
1	BNPD-01	Left Cover Caps A	1	13	BNPD-13	Brass Pivot	2
2	BNPD-02	Cover Caps B	2	14	BNPD-14	Flat Head Screw M4x10	2
3	BNPD-03	Wall Profile	2	15	BNPD-15	Moving Glass Panel	4
4	BNPD-04	Wall Plug $\Phi$ 6*30	8	16	BNPD-16	Vertical Seal	1
5	BNPD-05	Screw M4*30	16	17	BNPD-17	Handle	1
6	BNPD-06	Screw cover Caps	16	18	BNPD-18	Side Panel	1
7	BNPD-07	Screw M4*10	8	19	BNPD-19	Fixed Profile B	1
8	BNPD-08	Magnetic Strips Positive	1	20	BNPD-20	Right Cover Caps A	1
9	BNPD-09	Fixed Profile A	1	21	BNPD-21	Fixed Profile C	2
10	BNPD-10	Magnetic Strips Negative	1	22	BNPD-22	Seal	1
11	BNPD-11	Bottom Seal	1	23	BNPD-23	Corner Profile	1
12	BNPD-12	Rail Profile	1	24	BNPD-24	Cover Caps	1

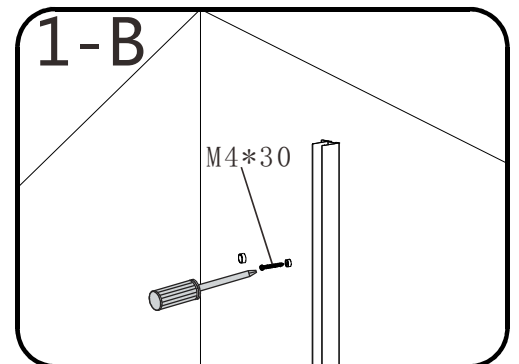
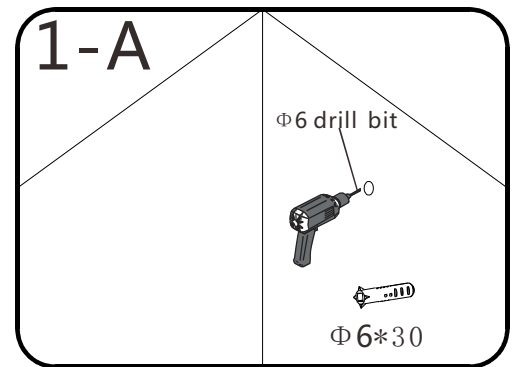
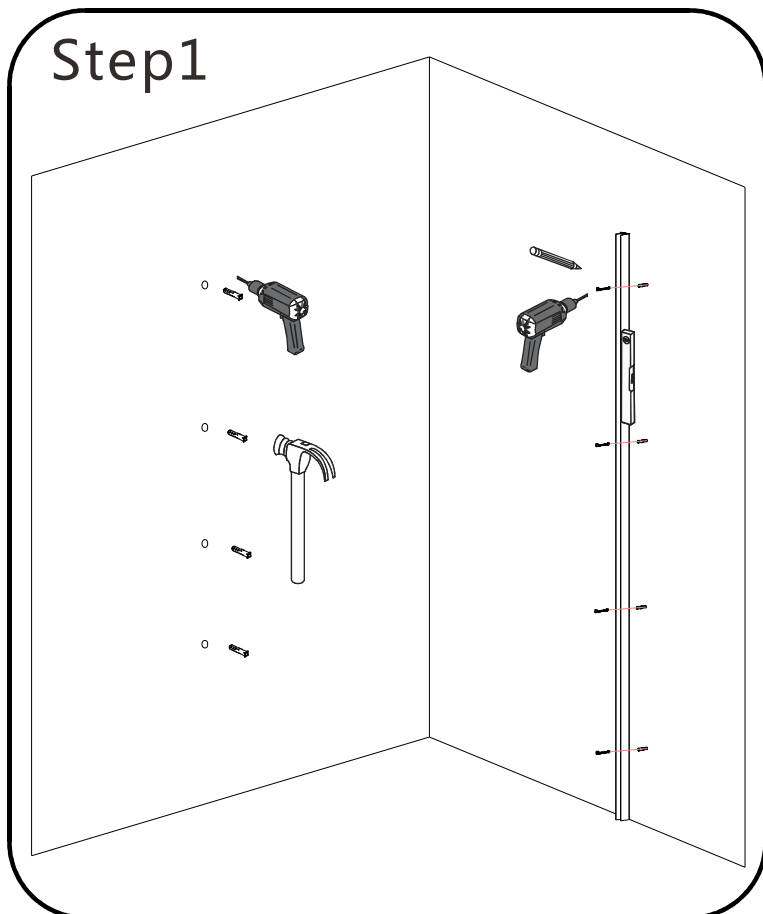
Left



Right

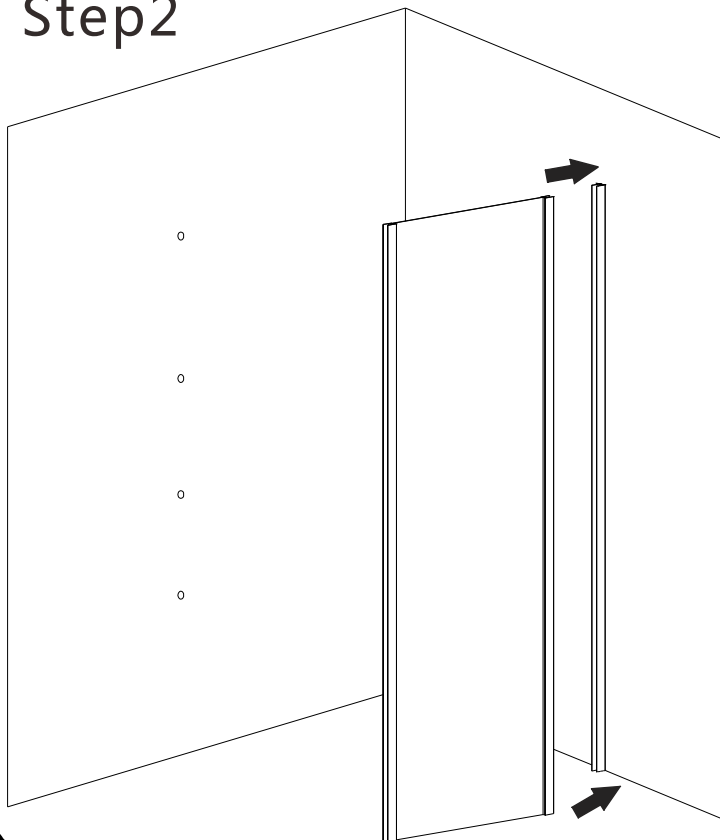


## Installation Steps

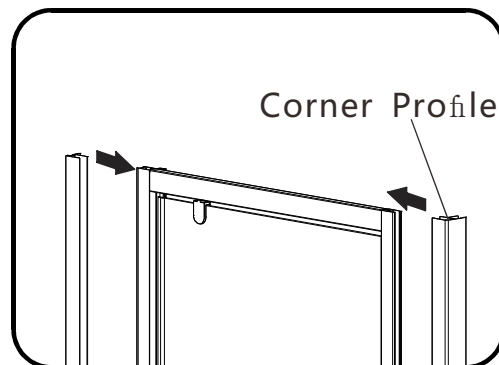
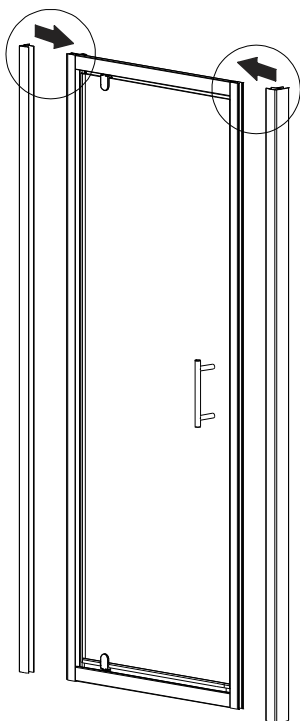




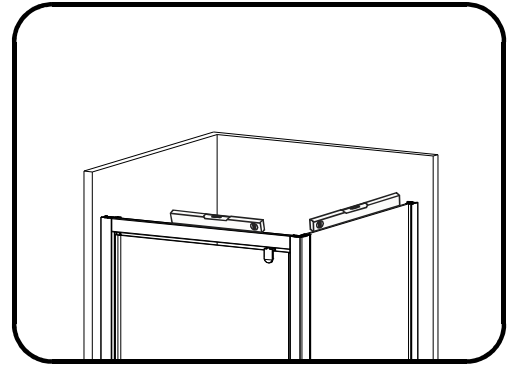
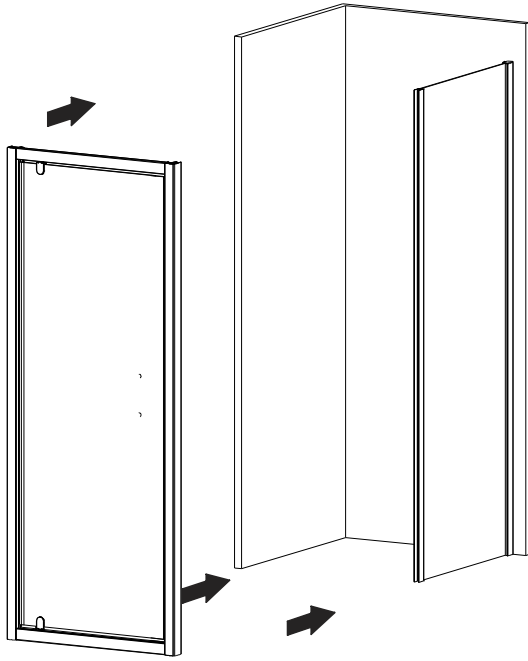
## Step 2



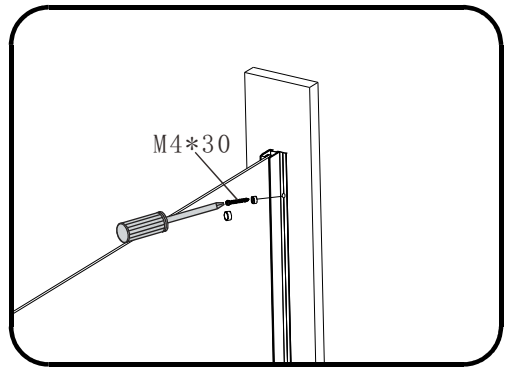
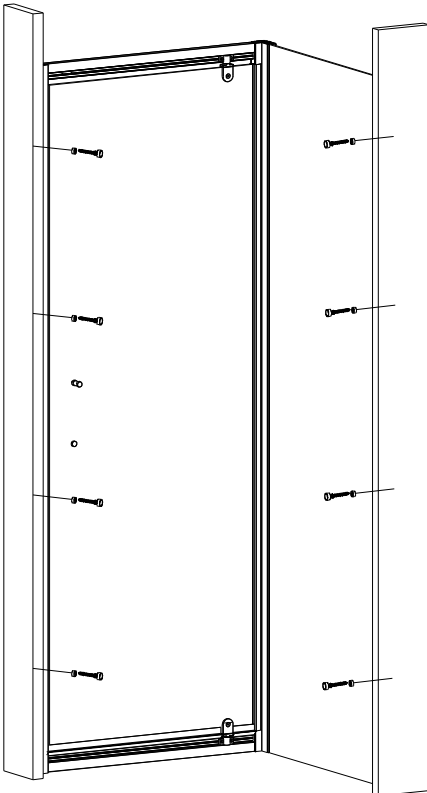
## Step 3



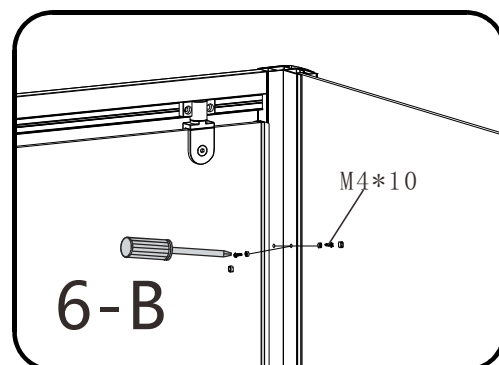
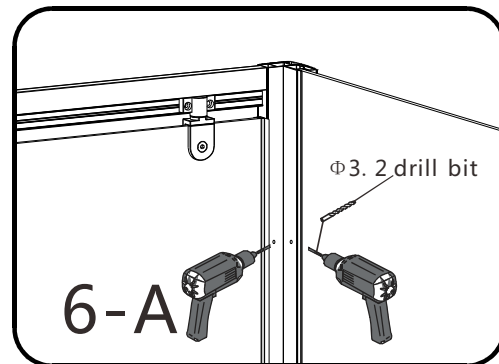
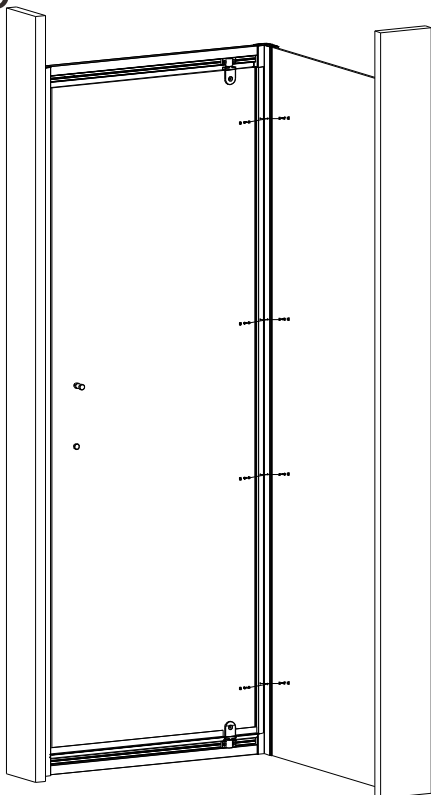
# Step4



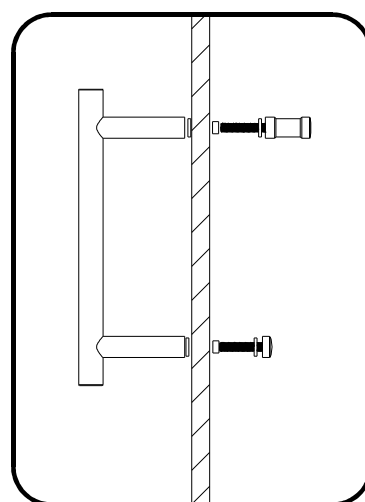
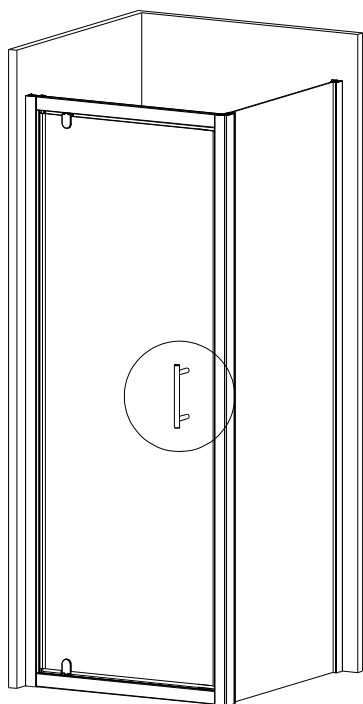
# Step5



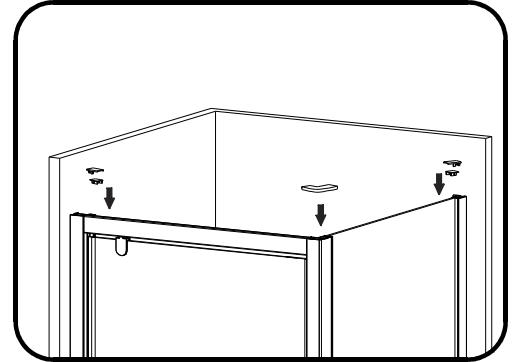
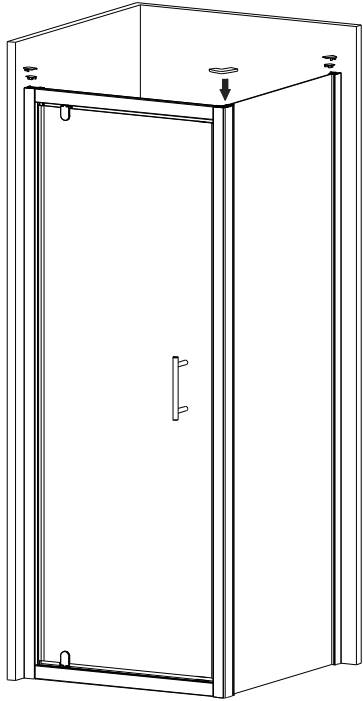
# Step 6



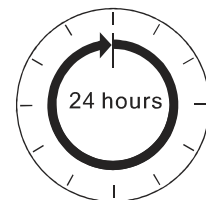
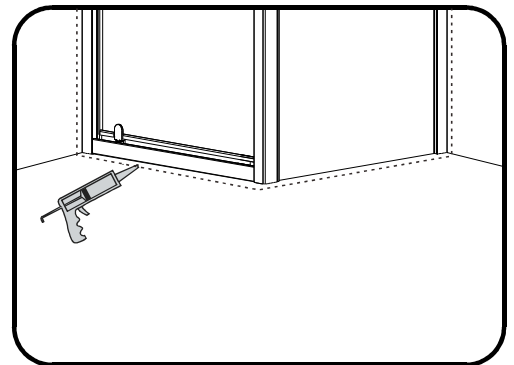
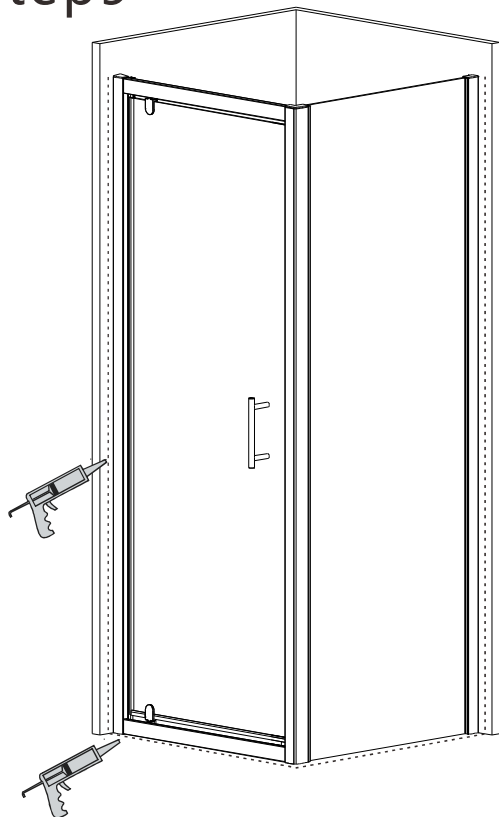
# Step 7



## Step 8



## Step 9



**Allow 24 hours for silicone to dry before use.**

**Silicone on the outside edge only**