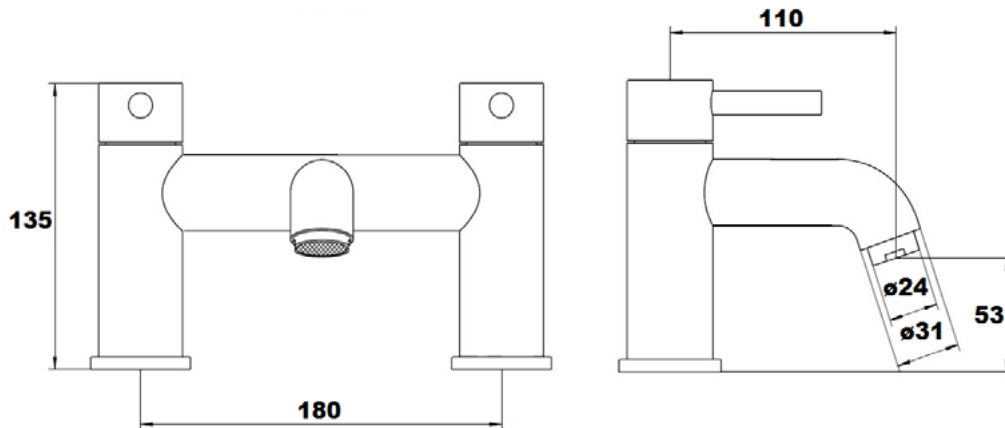




<b>Construction</b>	Brass Body CuZn40Pb2, EN CW617N (equivalent to BS CZ122)
<b>Finishes</b>	Brush Brass Electro Plated
<b>Product Type</b>	Contemporary
<b>Water Pressure</b>	Min. 0.5 bar, Max. 6.0 bar
<b>Plumbing Systems</b>	Suitable for all plumbing systems
<b>Standards</b>	Complies with BS5412, BS EN200
<b>Cartridge</b>	Laminar
<b>Aerator</b>	1/4 Turn 3/4" Ceramic Disc Valves
<b>Fitting</b>	Brass 3/4" BSP tails
<b>Guarantee</b>	10 years against manufacturing faults (3 Years on Serviceable Parts).



Flow Rates (Litres per minute)

System Pressure	0.1 Bar	0.2 Bar	0.3 Bar	0.5 Bar	1.0 Bar	1.5 Bar	2.0 Bar	3.0 Bar	4.0 Bar	5.0 Bar
<b>MLTAE4</b>	4.8	7.8	-	11.7	17.5	-	21.3	27.4	-	-

The information contained on this page was correct at date of issue. Fitting dimensions are provided as a guide only. Some variation may occur due to manufacturing tolerances. We pursue a policy of continuing improvement in design and performance of our products and so reserve the right to change specifications without prior notice.