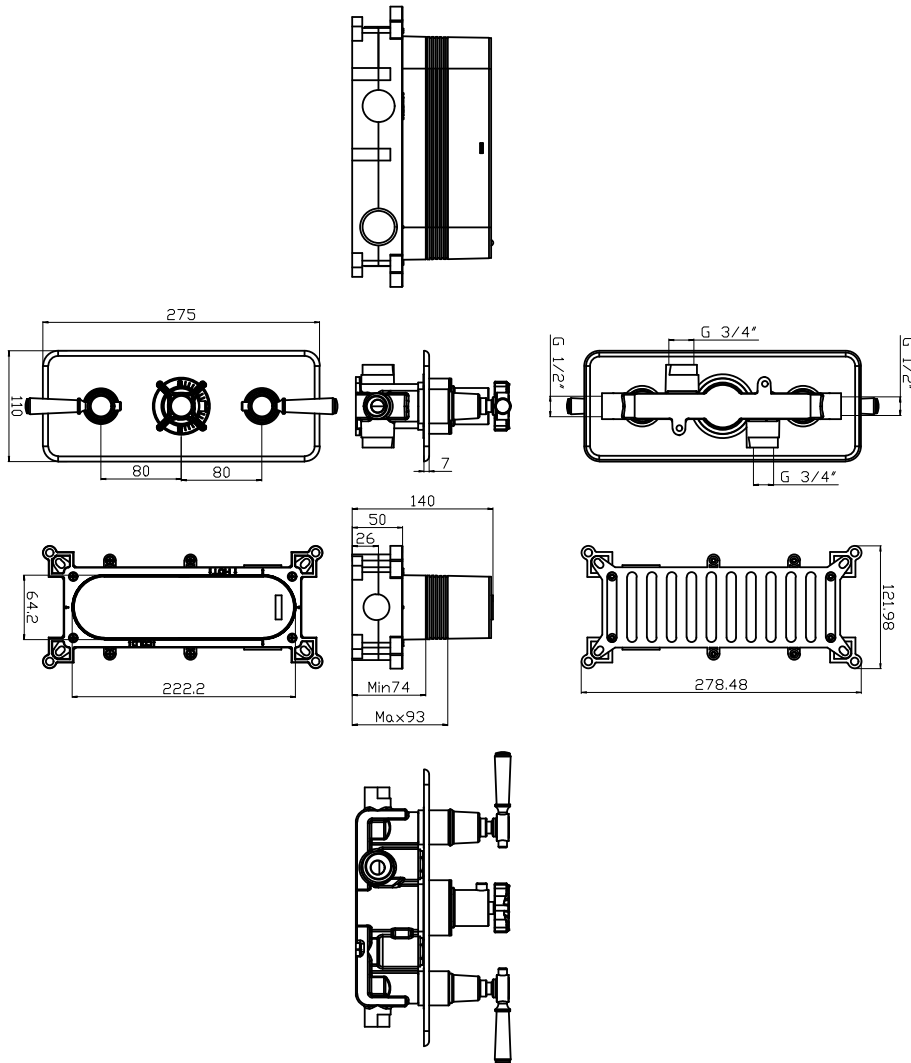


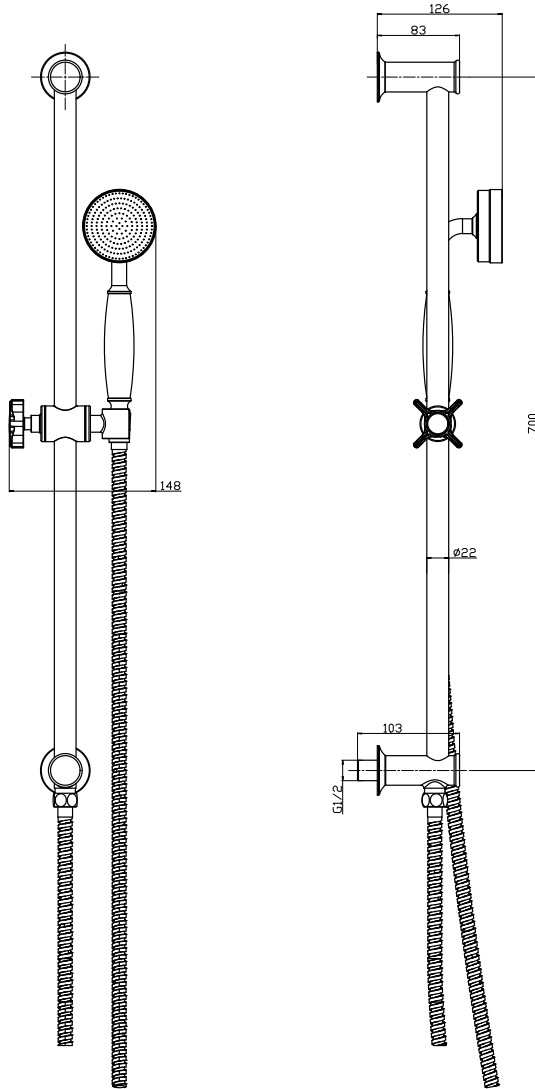
• Triple 2 Outlet Thermostatic Concealed Valve



**Flow Rates (Litres per minute)**

System Pressure	0.2 bar	0.5 bar	1 bar	2 bar	3 bar
	5.65	8.84	13.8	17.8	20.8

The information contained on this page was correct at date of issue. Fitting dimensions are provided as a guide only. Some variation may occur due to manufacturing tolerances. We pursue a policy of continuing improvement in design and performance of our products and so reserve the right to change specifications without prior notice.

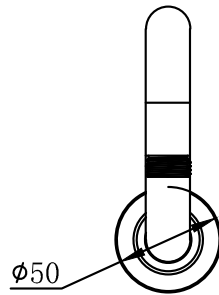
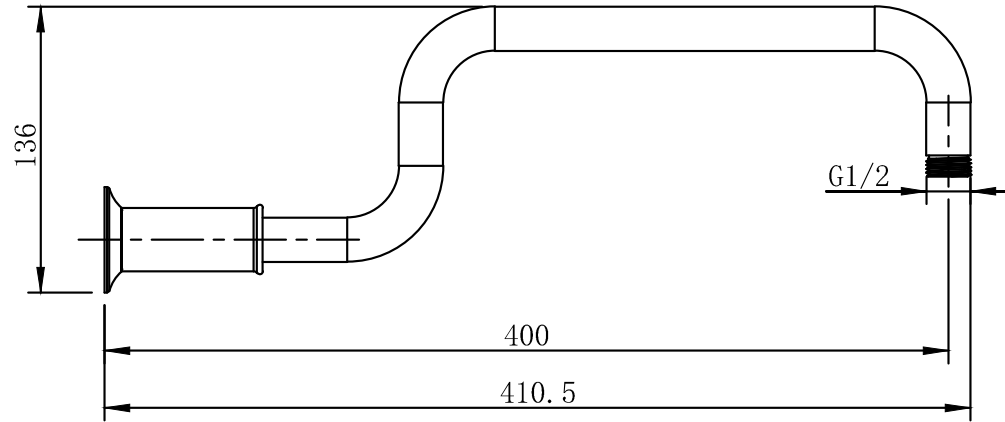


- Adjustable Sliding Rail Kit integrated Brass Wall Outlet
- Brass Adjustable Handset Holder
- Brass / Ceramic Handset
- Standard Chrome Hose 1.5m

#### Flow Rates (Litres per minute)

System Pressure	0.2 bar	0.5 bar	1 bar	2 bar	3 bar
	5.65	8.84	13.8	17.8	20.8

The information contained on this page was correct at date of issue. Fitting dimensions are provided as a guide only. Some variation may occur due to manufacturing tolerances. We pursue a policy of continuing improvement in design and performance of our products and so reserve the right to change specifications without prior notice.



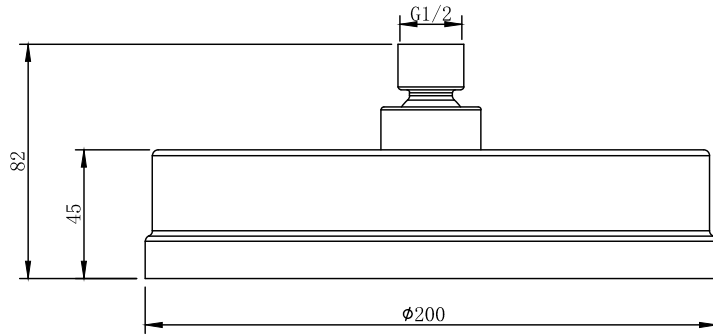
- 410mm Traditional Shower Arm



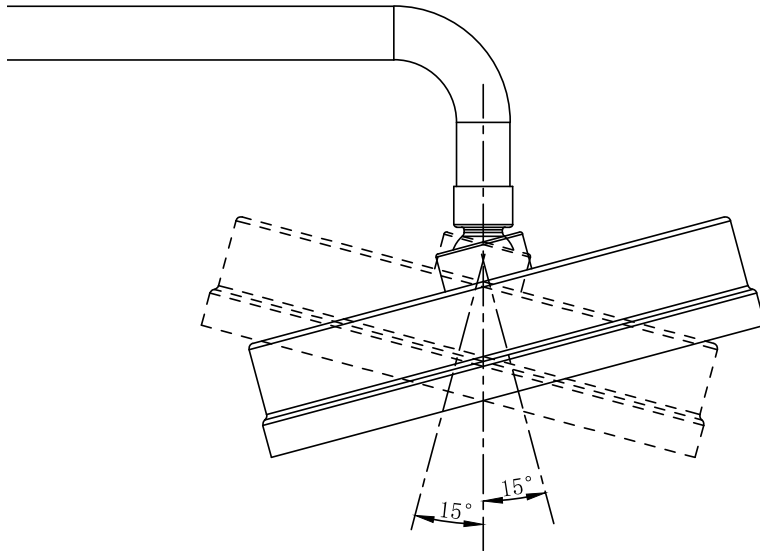
#### Flow Rates (Litres per minute)

System Pressure	0.2 bar	0.5 bar	1 bar	2 bar	3 bar
	5.65	8.84	13.8	17.8	20.8

The information contained on this page was correct at date of issue. Fitting dimensions are provided as a guide only. Some variation may occur due to manufacturing tolerances. We pursue a policy of continuing improvement in design and performance of our products and so reserve the right to change specifications without prior notice.



- 200mm Brass Shower Head with Rub Clean Nozzles



**Flow Rates (Litres per minute)**

System Pressure	0.2 bar	0.5 bar	1 bar	2 bar	3 bar
	5.65	8.84	13.8	17.8	20.8

The information contained on this page was correct at date of issue. Fitting dimensions are provided as a guide only. Some variation may occur due to manufacturing tolerances. We pursue a policy of continuing improvement in design and performance of our products and so reserve the right to change specifications without prior notice.