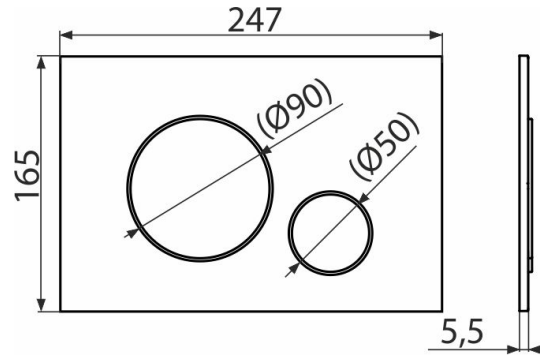


# M671 THIN

Flush plate for pre-wall installation systems, chrome-polished



### Application

For pre-wall installation systems and concealed WC cisterns

### Features

- Double-acting mechanical flushing
- Compatible with all Alcaplast pre-wall installation systems and cisterns for building into solid walls
- Material: plastic
- Surface finish: chrome-polished
- The flush plate thanks to its profile stands out only 5.5 mm above the tiles

### Scope of supply

- Template for correct flush plate setup
- Flushing mechanism screws 2 pcs
- Flush plate
- Fixing frame of the flush plate
- Threaded frame clamp 2 pcs

### Order number, Logistic information

Code	EAN	Weight (kus   packing   palett)	Dimensions (piece   packing)	Quantity (packing   palett)
M671	8595580562670	Chrom-lesk 0,3368   8,4200   255,7600 kg	250x170x36   595x395x245 mm	25   700 pcs

**Guarantee** 2/2 years  
**Customs code** 39269097

### Technical specifications

- Operating force < 20 N