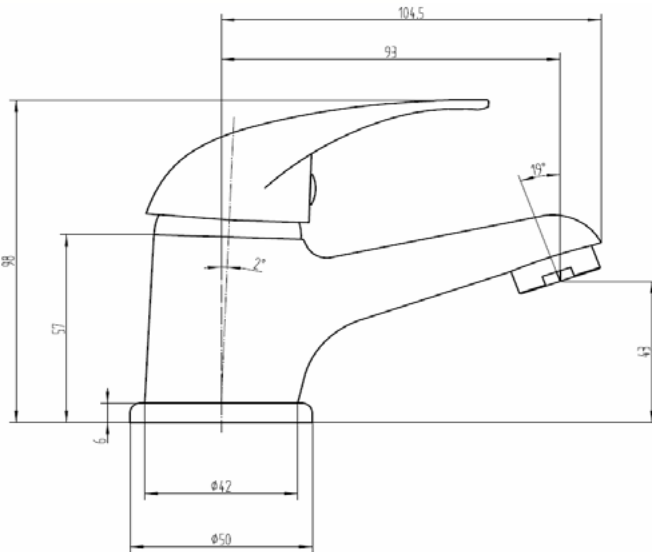




Construction	Brass Body CuZn40Pb2, EN CW617N (equivalent to BS CZ122) Zinc alloy Handle
Finishes	Chrome plated to BS EN 248
Product Type	Contemporary
Water Pressure	Min. 0.2 bar, Max. 5.0 bar
Plumbing Systems	Suitable for all plumbing systems
Standards	Complies with BS5412, BS EN200
Cartridge	35mm Ceramic Disc Cartridge
Net Weight (Tap only)	509g
Aerator	Aerator spout
Fittings	UK: M10 x 350mm ½" BSP Female Flexi Tails EU: M10x350mm 3/8" BSP Female Flexi Tails.
Guarantee	10 years against manufacturing faults (3 Years on Serviceable Parts).

Additional Information Supplied with sprung waste chrome plated



Flow Rates (Litres per minute)

System Pressure	0.1 Bar	0.2 Bar	0.3 Bar	0.5 Bar	1.0 Bar	1.5 Bar	2.0 Bar	3.0 Bar	4.0 Bar	5.0 Bar
	1.2	3.8	-	7.1	10.4	13.0	16.8	18.1	-	-

The information contained on this page was correct at date of issue. Fitting dimensions are provided as a guide only. Some variation may occur due to manufacturing tolerances. We pursue a policy of continuing improvement in design and performance of our products and so reserve the right to change specifications without prior notice.