

### Construction

Brass Body (CuZn38Pb18)

### Finishes

Chrome plated to BS EN 248

### Product Type

Contemporary

### Water Pressure

Min. 1.0 bar, Max. 6.0 bar

### Plumbing Systems

Suitable for all plumbing systems, preferably balanced. Min. supply pressure differential requirement is 5:1

### Standards

Complies with BSEN 1111

### Cartridge

Thermostatic

### Fitting

Inlet: 3/4" female thread

Outlet: 1/2" Female thread

### Guarantee

10 years against manufacturing faults (3 Years on Serviceable Parts).

### Additional Information

1. Temperature: Pre-set 38°C, with push button override to 48°C
2. Automatic shut off in the event of hot or cold water supply failure

### Flow Rates (Litres per minute)

System Pressure	0.1 Bar	0.2 Bar	0.3 Bar	0.5 Bar	1.0 Bar	1.5 Bar	2.0 Bar	3.0 Bar	4.0 Bar	5.0 Bar
38°C (L/min)		7.9	-	12.6	20.0			36.0	-	-

The information contained on this page was correct at date of issue. Fitting dimensions are provided as a guide only. Some variation may occur due to manufacturing tolerances. We pursue a policy of continuing improvement in design and performance of our products and so reserve the right to change specifications without prior notice.

**Construction**

**Finishes**

**Product Type**

**Plumbing Systems**

**Fitting**

**Guarantee**

Brass Body (CuZn38Pb18)

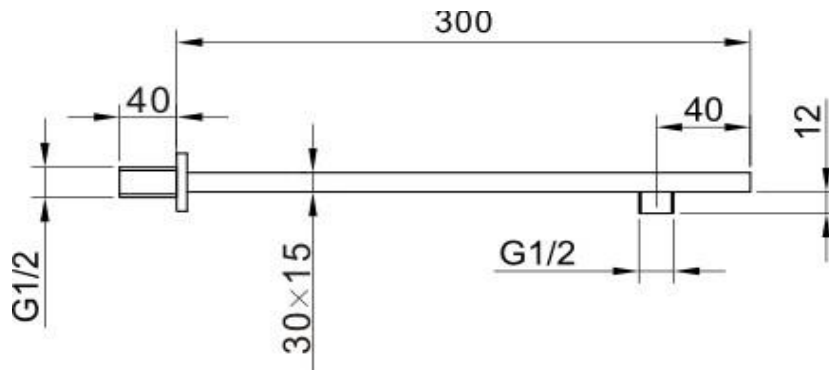
Chrome plated to BS EN 248

Contemporary

Suitable for all plumbing systems

G1/2" BSP

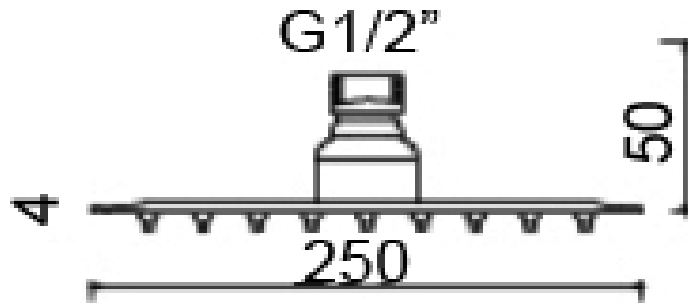
10 years against manufacturing faults (3 Years on Serviceable Parts).



The information contained on this page was correct at date of issue. Fitting dimensions are provided as a guide only. Some variation may occur due to manufacturing tolerances. We pursue a policy of continuing improvement in design and performance of our products and so reserve the right to change specifications without prior notice.



250mm

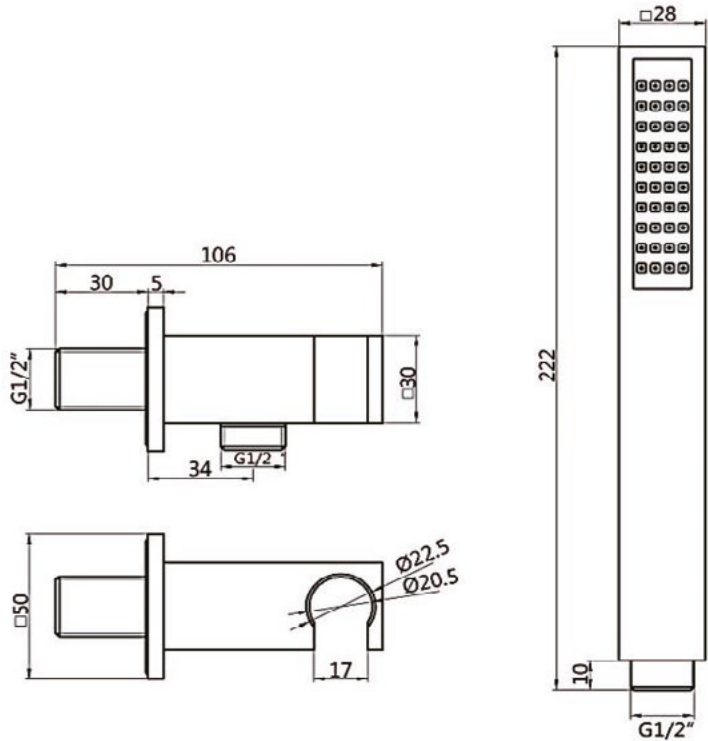


<b>Construction</b>	Stainless steel 304
<b>Finishes</b>	Chrome
<b>Product Type</b>	Contemporary
<b>Water Pressure</b>	Min 1.0bar and Max 5.0bar
<b>Plumbing Systems</b>	Suitable for all plumbing systems
<b>Weight(net)</b>	0.75kg/piece
<b>Fitting</b>	G1/2"
<b>Guarantee</b>	10 years against manufacturing faults (3 Years on Serviceable Parts).
 <b>Additional Information</b>	 Size: 250X250mm

**Flow Rates** (Litres per minute)

System Pressure	0.1 Bar	0.2 Bar	0.3 Bar	0.5 Bar	1.0 Bar	1.5 Bar	2.0 Bar	3.0 Bar	4.0 Bar	5.0 Bar
	5.5	13.3	-	19.2	21.5	-	-	-	-	-

The information contained on this page was correct at date of issue. Fitting dimensions are provided as a guide only. Some variation may occur due to manufacturing tolerances. We pursue a policy of continuing improvement in design and performance of our products and so reserve the right to change specifications without prior notice.



<b>Construction</b>	Brass Body CuZn40Pb2, EN CW617N (equivalent to BS CZ122)
<b>Finishes</b>	Chrome Plated
<b>Product Type</b>	Contemporary
<b>Mode</b>	Single mode,
<b>Fitting</b>	G1/2"
<b>Guarantee</b>	10 years against manufacturing faults (3 Years on Serviceable Parts).
<b>Additional Information</b>	Rubber Nozzle

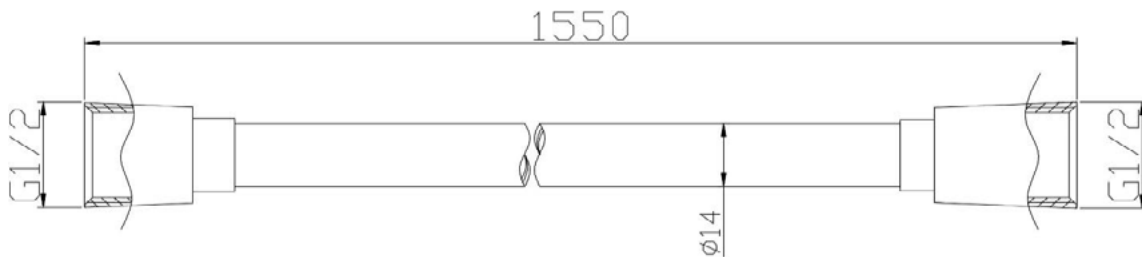
**Flow Rates** (Litres per minute)

System Pressure	0.1 Bar	0.2 Bar	0.3 Bar	0.5 Bar	1.0 Bar	1.5 Bar	2.0 Bar	3.0 Bar	4.0 Bar	5.0 Bar
	0.9	1.7	3.1	4.7	7.2	9.2	10.8	13.7	16.1	18.3

The information contained on this page was correct at date of issue. Fitting dimensions are provided as a guide only. Some variation may occur due to manufacturing tolerances. We pursue a policy of continuing improvement in design and performance of our products and so reserve the right to change specifications without prior notice.



<b>Construction</b>	EDPM
<b>Finishes</b>	Chrome
<b>Product Type</b>	Contemporary
<b>Plumbing Systems</b>	Suitable for all plumbing systems
<b>Certification</b>	Manufactured to comply with CE
<b>Additional Information</b>	Cone to cone connection



The information contained on this page was correct at date of issue. Fitting dimensions are provided as a guide only. Some variation may occur due to manufacturing tolerances. We pursue a policy of continuing improvement in design and performance of our products and so reserve the right to change specifications without prior notice.