



Construction

Brass Body (CuZn38Pb18)

Finishes

Chrome plated to BS EN 248

Product Type

Contemporary

Water Pressure

Min. 1.0 bar, Max. 6.0 bar

Plumbing Systems

Suitable for all plumbing systems, preferably balanced. Min. supply pressure differential requirement is 5:1

Standards

Complies with BSEN 1111

Cartridge

Thermostatic

Fitting

Inlet: 3/4" female thread

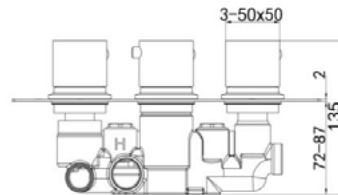
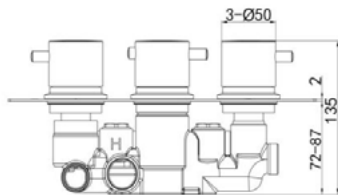
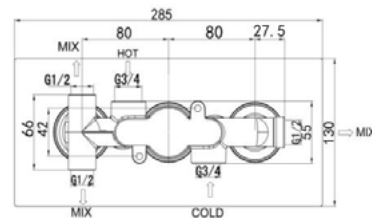
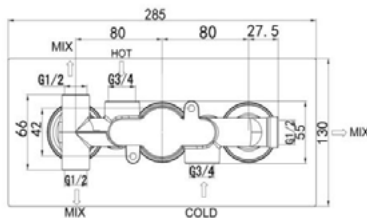
Outlet: 1/2" Female thread

Guarantee

10 years against manufacturing faults (3 Years on Serviceable Parts).

Additional Information

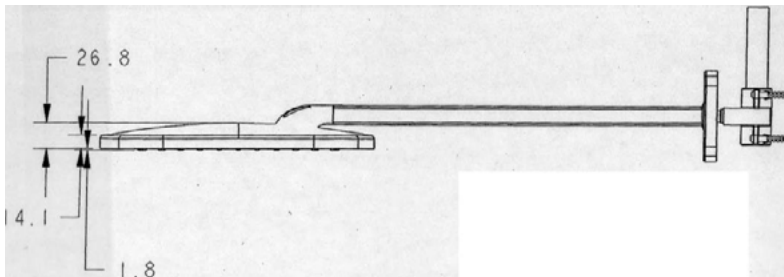
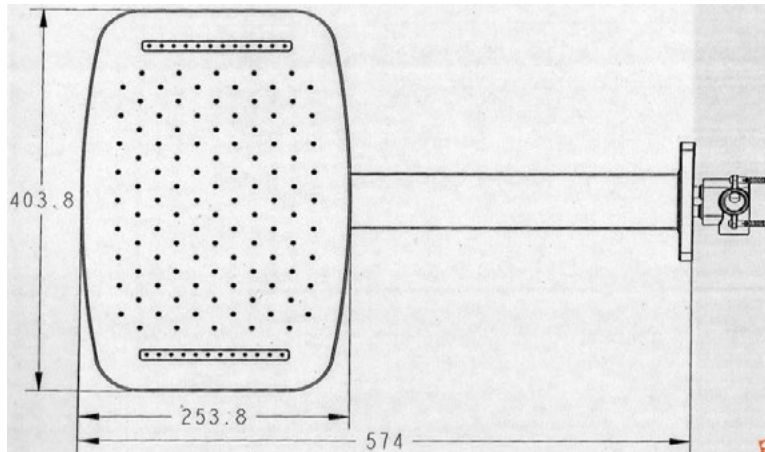
1. Temperature: Pre-set 38°C, with push button override to 48°C
2. Automatic shut off in the event of hot or cold water supply failure



Flow Rates (Litres per minute)

System Pressure	0.1 Bar	0.2 Bar	0.3 Bar	0.5 Bar	1.0 Bar	1.5 Bar	2.0 Bar	3.0 Bar	4.0 Bar	5.0 Bar
38°C (L/min)		7.9	-	12.6	20.0			36.0	-	-

The information contained on this page was correct at date of issue. Fitting dimensions are provided as a guide only. Some variation may occur due to manufacturing tolerances. We pursue a policy of continuing improvement in design and performance of our products and so reserve the right to change specifications without prior notice.



Construction	Brass Body (CuZn38Pb18)
Finishes	Chrome plated to BS EN 248
Product Type	Contemporary
Water Pressure	Min 1.0bar and Max 5.0bar
Plumbing Systems	Suitable for high water pressure 15 bar
Fitting	G1/2"
Guarantee	10 years against manufacturing faults (3 Years on Serviceable Parts).

- Additional Information**
1. Two function: Waterfall, Rain
 2. 100% Chrome

Flow Rates (Litres per minute)

System Pressure	0.1 Bar	0.2 Bar	0.3 Bar	0.5 Bar	1.0 Bar	1.5 Bar	2.0 Bar	3.0 Bar	4.0 Bar	5.0 Bar
Rain	-	-	-	0.7	9.3	11.4	13.1	16.0	18.4	20.6
Waterfall	-	-	-	7.9	11.1	13.5	15.6	19.1	22.1	23.6

The information contained on this page was correct at date of issue. Fitting dimensions are provided as a guide only. Some variation may occur due to manufacturing tolerances. We pursue a policy of continuing improvement in design and performance of our products and so reserve the right to change specifications without prior notice.



Construction

Brass Body CuZn40Pb2, EN CW617N (equivalent to BS CZ122)

Finishes

Chrome plated to BS EN 248

Product Type

Contemporary

Plumbing Systems

Suitable for all plumbing systems

Fitting

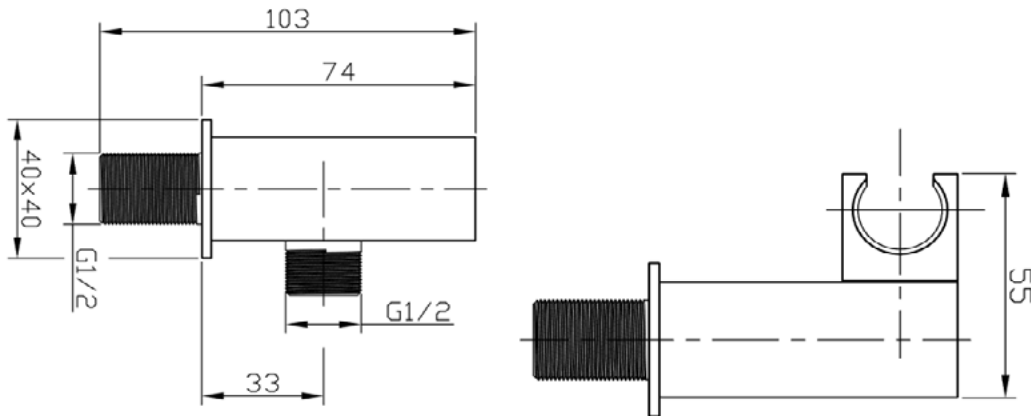
G1/2" BSP

Guarantee

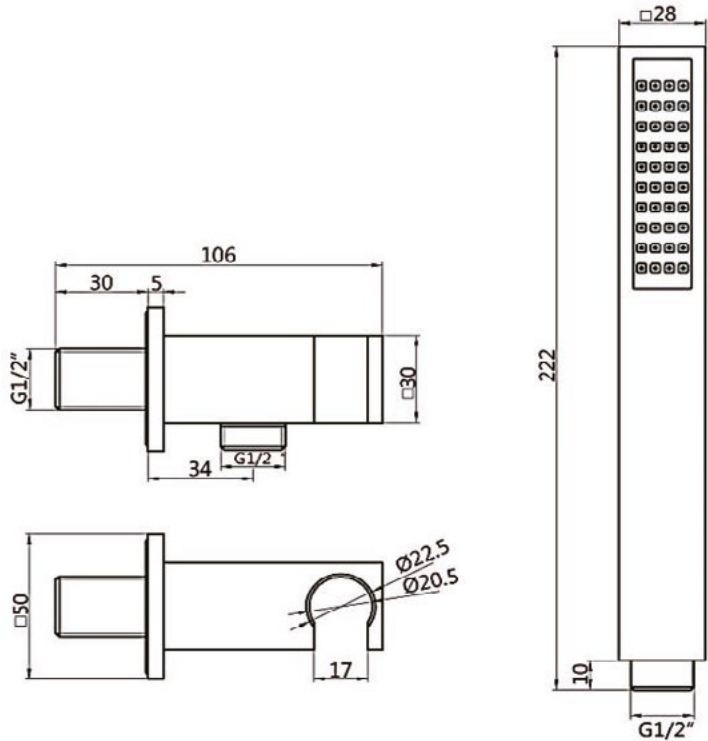
10 years against manufacturing faults (3 Years on Serviceable Parts).

Additional Information

1. Adjustable Brass Handset Holder
2. Integrated wall elbow



The information contained on this page was correct at date of issue. Fitting dimensions are provided as a guide only. Some variation may occur due to manufacturing tolerances. We pursue a policy of continuing improvement in design and performance of our products and so reserve the right to change specifications without prior notice.



Construction	Brass Body CuZn40Pb2, EN CW617N (equivalent to BS CZ122)
Finishes	Chrome Plated
Product Type	Contemporary
Mode	Single mode,
Fitting	G1/2"
Guarantee	10 years against manufacturing faults (3 Years on Serviceable Parts).
Additional Information	Rubber Nozzle

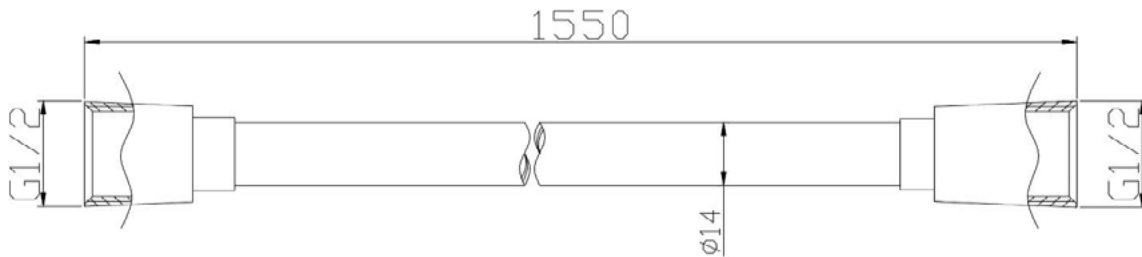
Flow Rates (Litres per minute)

System Pressure	0.1 Bar	0.2 Bar	0.3 Bar	0.5 Bar	1.0 Bar	1.5 Bar	2.0 Bar	3.0 Bar	4.0 Bar	5.0 Bar
	0.9	1.7	3.1	4.7	7.2	9.2	10.8	13.7	16.1	18.3

The information contained on this page was correct at date of issue. Fitting dimensions are provided as a guide only. Some variation may occur due to manufacturing tolerances. We pursue a policy of continuing improvement in design and performance of our products and so reserve the right to change specifications without prior notice.



Construction	EDPM
Finishes	Chrome
Product Type	Contemporary
Plumbing Systems	Suitable for all plumbing systems
Certification	Manufactured to comply with CE
Additional Information	Cone to cone connection



The information contained on this page was correct at date of issue. Fitting dimensions are provided as a guide only. Some variation may occur due to manufacturing tolerances. We pursue a policy of continuing improvement in design and performance of our products and so reserve the right to change specifications without prior notice.