

Construction

Brass Body (CuZn38b18)

Finishes

Chrome plated to BS EN 248

Product Type

Contemporary

Water Pressure

Min.1.0 bar, Max. 7.0 bar

Plumbing Systems

Suitable for all plumbing systems, preferably balanced. Min. supply pressure differential requirement is 5:1

Standards

Complies with BSEN 1111

Cartridge

Thermostatic

Fitting

Inlet Connections: 3/4" BSP

Guarantee

10 years against manufacturing faults (3 Years on Serviceable Parts).

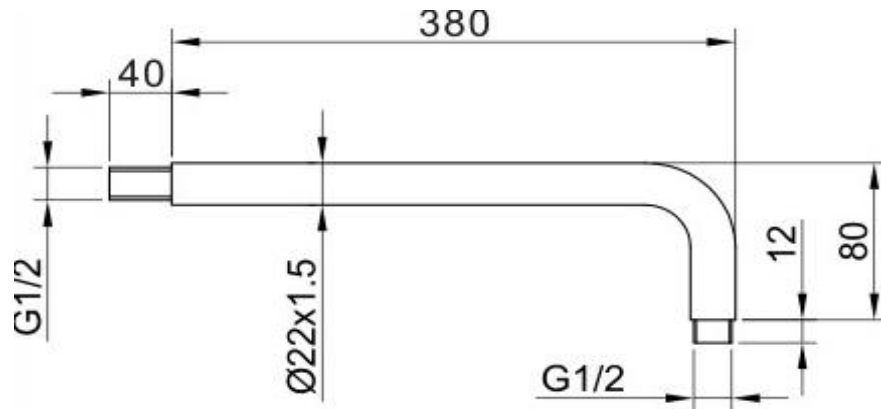
Additional Information

1. Stainless steel wall Plate
2. Intergrated shower handset kit
3. Stainless steel 1.5m hose
4. Check valve

Flow Rates (Litres per minute)

System Pressure	0.1 Bar	0.2 Bar	0.3 Bar	0.5 Bar	1.0 Bar	1.5 Bar	2.0 Bar	3.0 Bar	4.0 Bar	5.0 Bar
	6.7	8.6	10.2	12.7	17.3	20.9	24.0	29.2	33.5	36.0

The information contained on this page was correct at date of issue. Fitting dimensions are provided as a guide only. Some variation may occur due to manufacturing tolerances. We pursue a policy of continuing improvement in design and performance of our products and so reserve the right to change specifications without prior notice.



Construction

Finishes

Product Type

Plumbing Systems

Fitting

Guarantee

Brass Body (CuZn38Pb18)

Chrome plated to BS EN 248

Contemporary

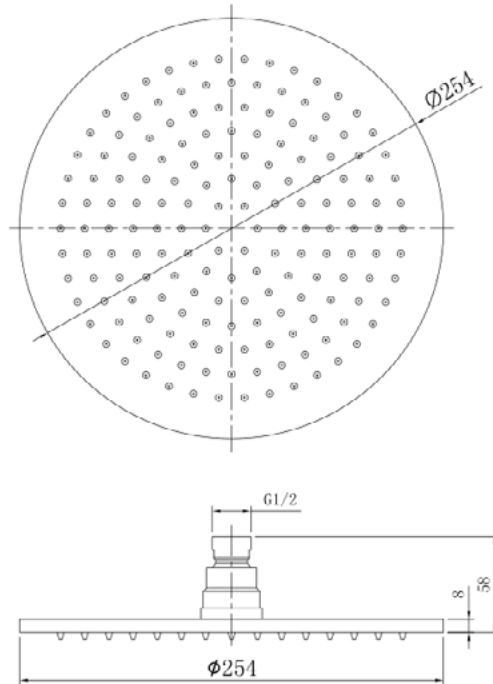
Suitable for all plumbing systems

G1/2" BSP

10 years against manufacturing faults (3 Years on Serviceable Parts).



The information contained on this page was correct at date of issue. Fitting dimensions are provided as a guide only. Some variation may occur due to manufacturing tolerances. We pursue a policy of continuing improvement in design and performance of our products and so reserve the right to change specifications without prior notice.



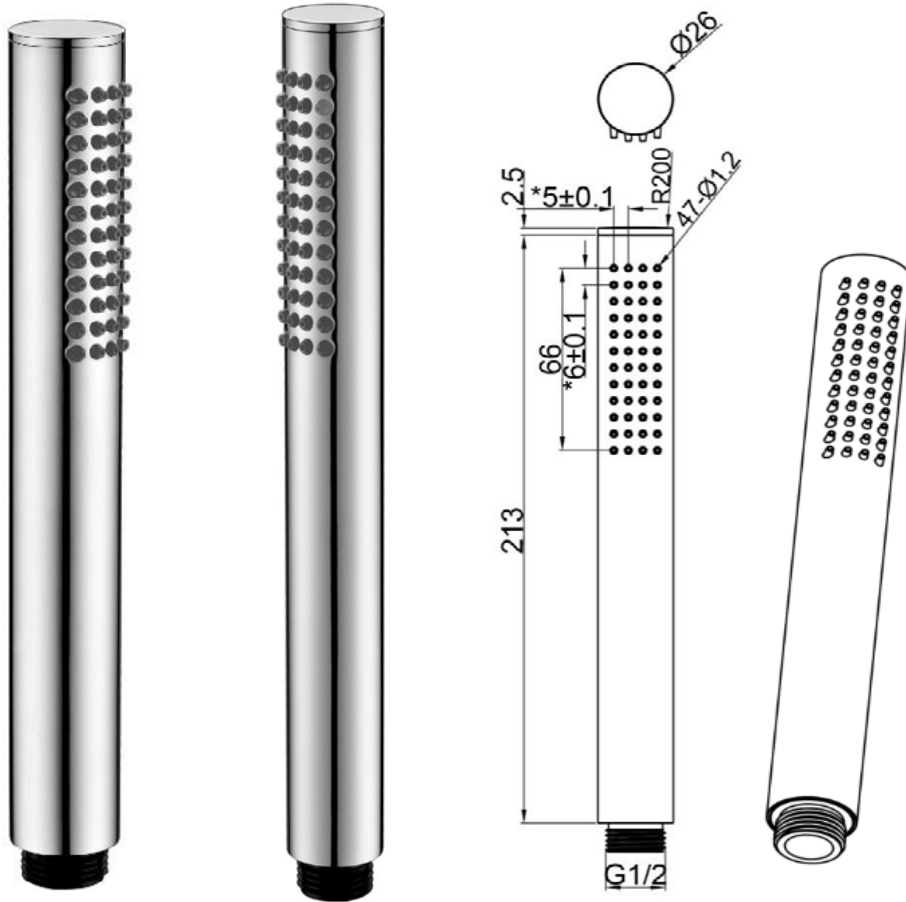
Construction	Brass Body (CuZn38Pb18)
Finishes	Chrome plated to BS EN 248
Product Type	Contemporary
Water Pressure	Min 1.0bar and Max 7.0bar
Plumbing Systems	Suitable for all plumbing systems; Suitable for high water pressure 15 bar
Fitting	G1/2"
Size	Ø250mm
Guarantee	10 years against manufacturing faults (3 Years on Serviceable Parts).

- Additional Information**
1. Rub-clean rubber nozzle
 2. 100% Chromed
 3. Swivel connector

Flow Rates (Litres per minute)

System Pressure	0.1 Bar	0.2 Bar	0.3 Bar	0.5 Bar	1.0 Bar	1.5 Bar	2.0 Bar	3.0 Bar	4.0 Bar	5.0 Bar
	6.1	8.6	10.7	14.9	17.0	19.2	21.0	24.0	27.1	29.6

The information contained on this page was correct at date of issue. Fitting dimensions are provided as a guide only. Some variation may occur due to manufacturing tolerances. We pursue a policy of continuing improvement in design and performance of our products and so reserve the right to change specifications without prior notice.



Construction	Brass Body CuZn40Pb2, EN CW617N (equivalent to BS CZ122)
Finishes	Chrome Plated
Product Type	Contemporary
Mode	Single mode, Aerator Induction
Fitting	G1/2"
Guarantee	10 years against manufacturing faults (3 Years on Serviceable Parts).
Additional Information	Rubber Nozzle

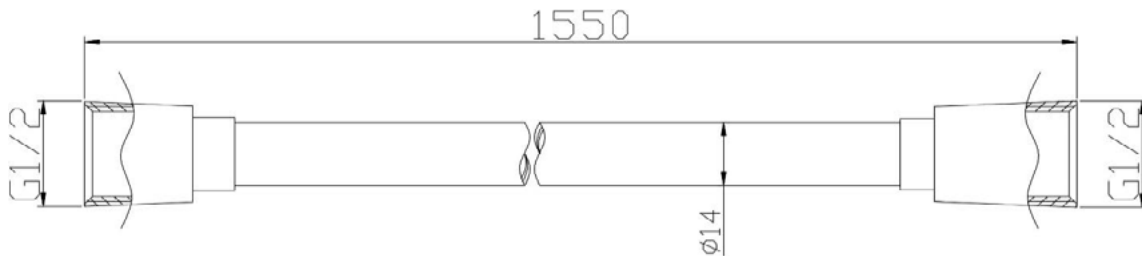
Flow Rates (Litres per minute)

System Pressure	0.1 Bar	0.2 Bar	0.3 Bar	0.5 Bar	1.0 Bar	1.5 Bar	2.0 Bar	3.0 Bar	4.0 Bar	5.0 Bar
	3.5	4.6	-	7.0	9.7	-	12.4	14.1	-	17.6

The information contained on this page was correct at date of issue. Fitting dimensions are provided as a guide only. Some variation may occur due to manufacturing tolerances. We pursue a policy of continuing improvement in design and performance of our products and so reserve the right to change specifications without prior notice.



Construction	EDPM
Finishes	Chrome
Product Type	Contemporary
Plumbing Systems	Suitable for all plumbing systems
Certification	Manufactured to comply with CE
Additional Information	Cone to cone connection



The information contained on this page was correct at date of issue. Fitting dimensions are provided as a guide only. Some variation may occur due to manufacturing tolerances. We pursue a policy of continuing improvement in design and performance of our products and so reserve the right to change specifications without prior notice.