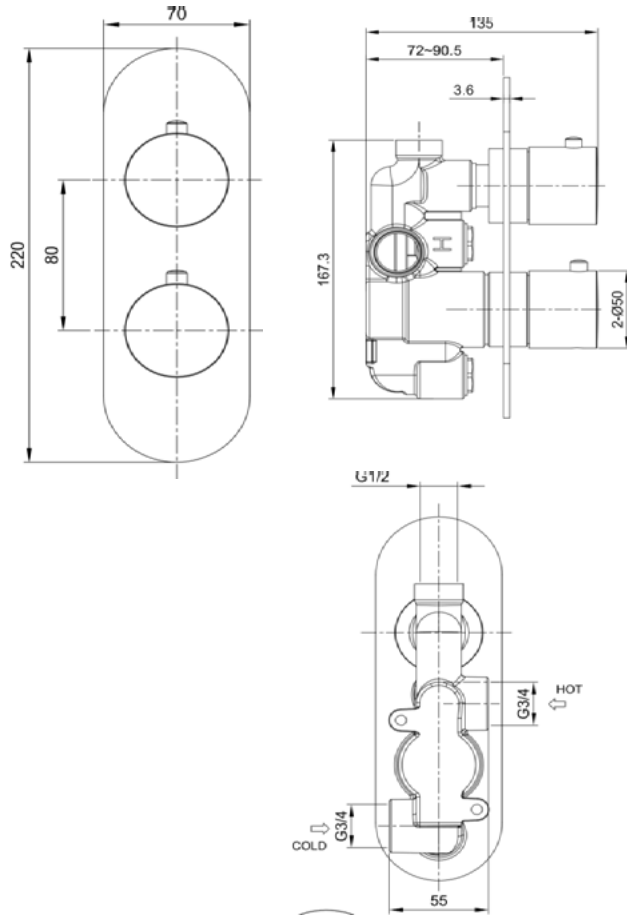


Desire Slimline Dual 1 Outlet Chrome Thermostatic Concealed Valve

Code: MLSHDEDU1OSLCP



Construction
Finishes
Product Type
Water Pressure
Plumbing Systems

Brass Body (CuZn38b18)
 Chrome plated to BS EN 248
 Contemporary
 Min.0.2 bar, Max. 6.0 bar
 Suitable for all plumbing systems, preferably balanced. Min. supply pressure differential requirement is 5:1

Standards
Cartridge
Fitting
Guarantee

Complies with BSEN 1111
 Thermostatic
 Inlet: 3/4" Female thread
 10 years against manufacturing faults (3 Years on Serviceable Parts).

Additional Information

1. Temperature: Pre-set 38°C, with push button override to 48°C.
2. Automatic shut off in the event of hot or cold water supply failure

Flow Rates (Litres per minute)

| System Pressure | 0.1 Bar | 0.2 Bar | 0.3 Bar | 0.5 Bar | 1.0 Bar | 1.5 Bar | 2.0 Bar | 3.0 Bar | 4.0 Bar | 5.0 Bar |
|-----------------|---------|---------|---------|---------|---------|---------|---------|---------|---------|---------|
| | 7.8 | 10.1 | 12.0 | 14.9 | 20.4 | 24.4 | 28.0 | 34.3 | 39.7 | 41.0 |

The information contained on this page was correct at date of issue. Fitting dimensions are provided as a guide only. Some variation may occur due to manufacturing tolerances. We pursue a policy of continuing improvement in design and performance of our products and so reserve the right to change specifications without prior notice.