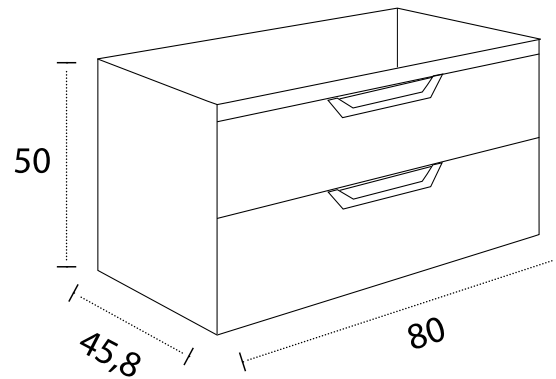
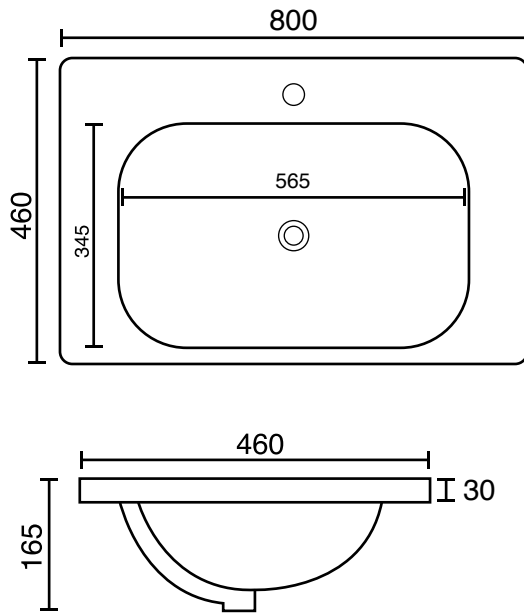


**SIZE:** H 530 x W 800 x D 460mm

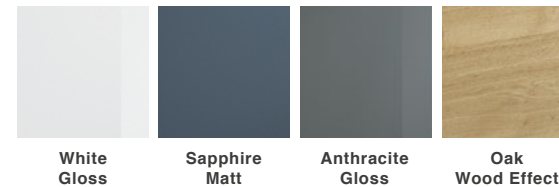
**TAP HOLE(S):** One

**BASIN MATERIAL:** Ceramic

**UNIT FINISH:** Gloss/Matt/Wood



Unit available in the following



The information contained on this page was correct at date of issue. Fitting dimensions are provided as a guide only. Some variation may occur due to manufacturing tolerances. We pursue a policy of continuing improvement in design and performance of our products and so reserve the right to change specifications without prior notice.