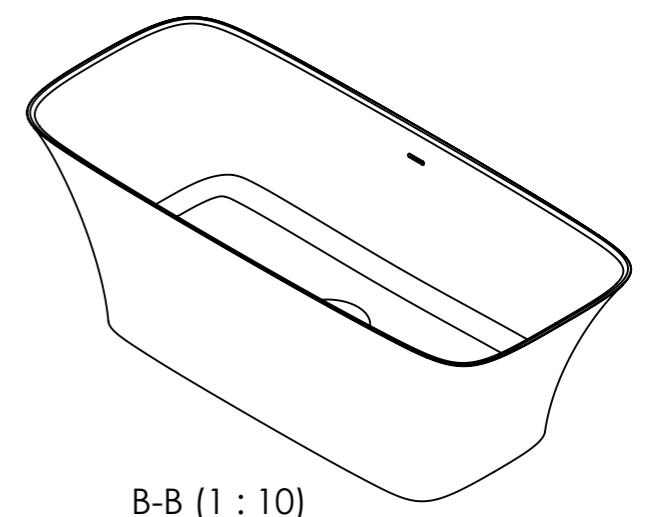
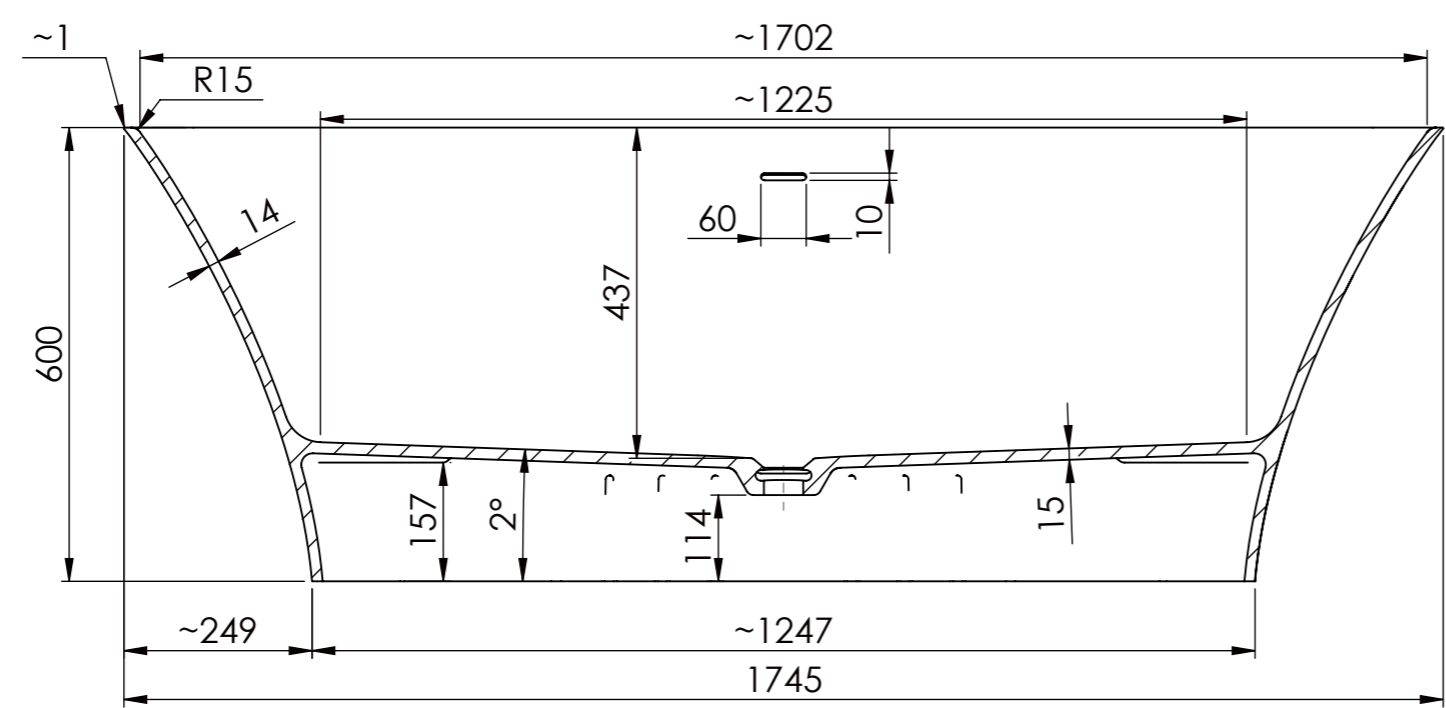
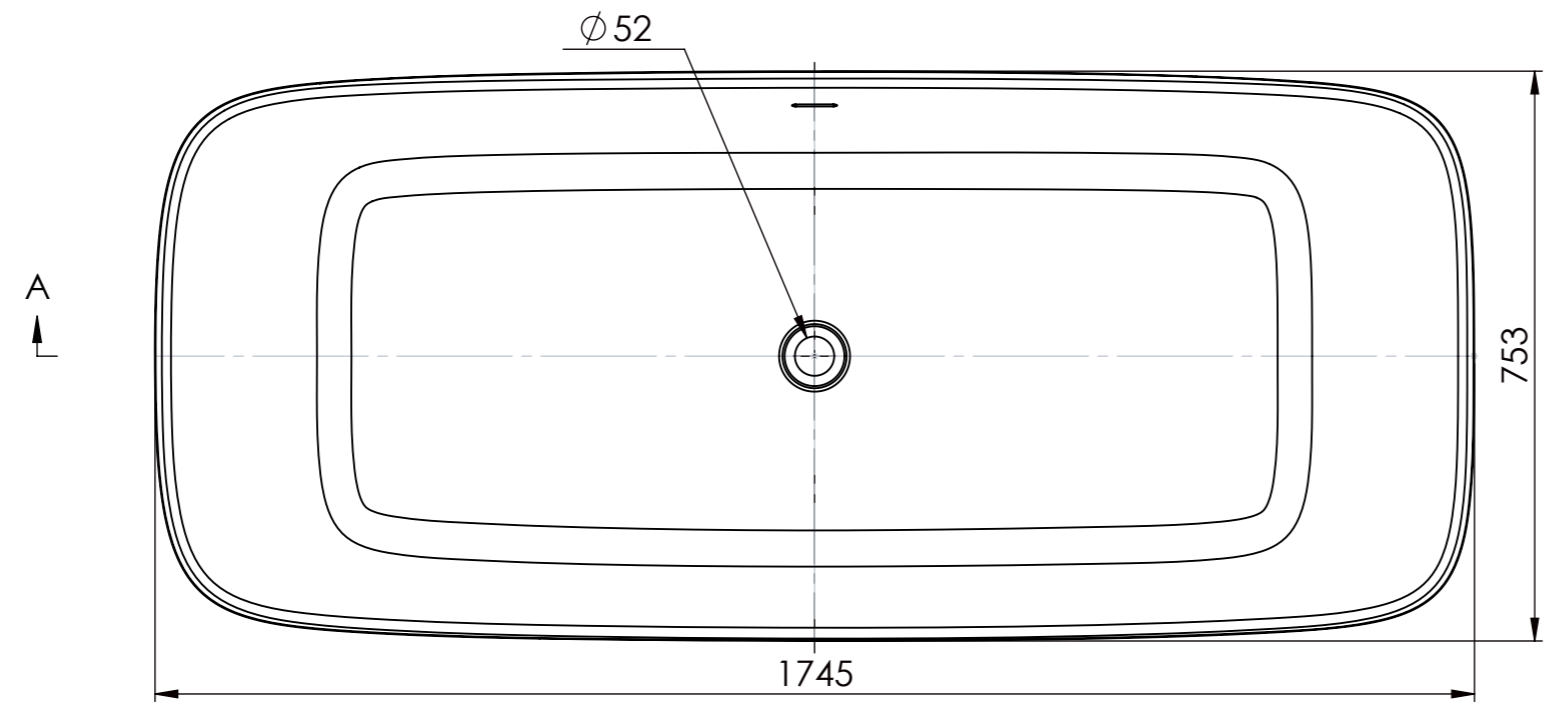
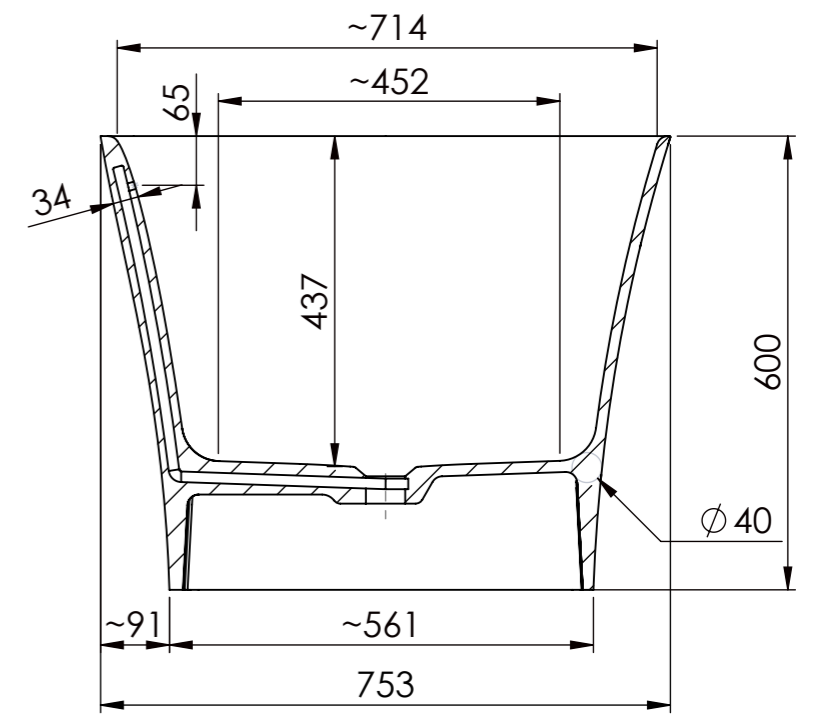


1 2 3 4 5 6 7 8

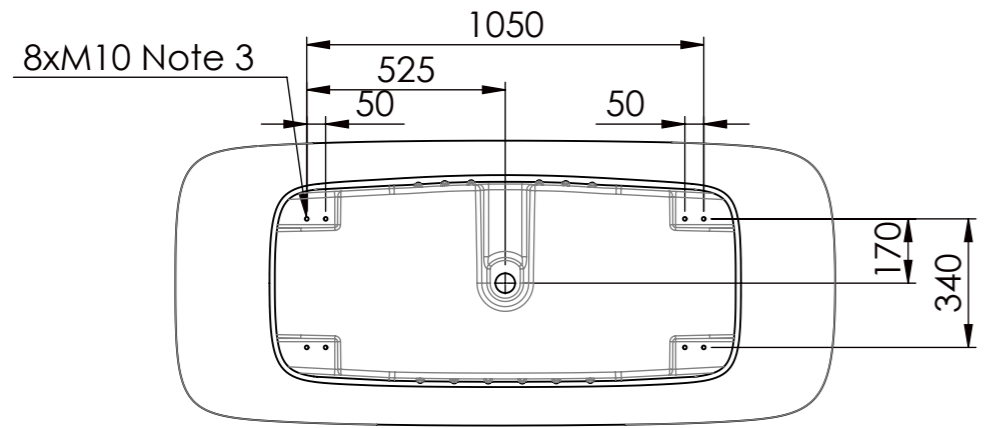
A-A (1 : 10)



B-B (1 : 10)



Bottom view



- Notes:  
 1. Water volume (full bathtub) 370 l  
 2. Water volume (to overflow) 290 l  
 3. M10 steel bearings

Tolerance length/width/height	+10/-10 mm
Tol. plane bending	≤800 mm +1,5/-1,5 mm
	>800 mm +3/-3 mm
Tolerance holes location	+3/-3 mm
Tolerance holes diameter	+1/-1 mm
Tolerance wall thickness	+1/-1 mm
Tolerance feet location	+5/-5 mm



<b>Hurley 1745mm DOLOCAST™ Freestanding Bath</b>				
<b>Code: MLDCFSHU</b>				
Material volume [mm³]	Overflow	Taphole	Main dimensions L x W / H [mm]	Drain
55775394	Integ.	0	1745 x 753 / 600	Regular
Surface area [mm²]	Scale			
6141853	1:5			

This document must not be copied without our written permission, and the contents thereof must not be imparted to a third party nor be used for any unauthorized purpose.

1 2 3 4 5 6 7 8