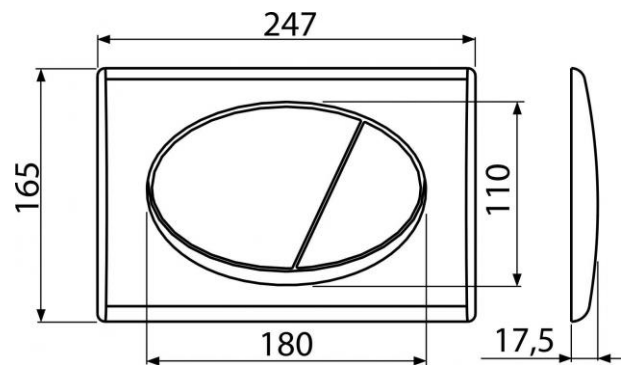
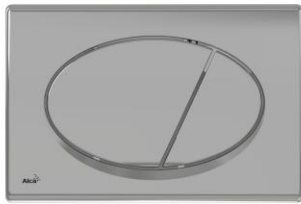


M71

Flush plate for pre-wall installation systems, chrome-polished



Application

For pre-wall installation systems and concealed WC cisterns

Features

- Double-acting mechanical flushing
- Compatible for all pre-wall installation systems and cisterns for building into solid walls ALCAPLAST
- Surface finish: chrome-polished
- Material: plastic

Scope of supply

- Flush plate
- Fixing frame of the flush plate
- Threaded frame clamp 2 pcs

Order number

Code	EAN
M71	8594045936209

M71

Flush plate for pre-wall installation systems, chrome-polished

Technical specifications

- Operating force < 20 N

Warranty

2/2 years

Weight - piece	0.3996 kg
Weight – packing	9.84 kg
Weight - pallet	kg
Dimensions - piece	250×40×175 mm
Dimensions – packing	595×245×395 mm
Quantity – packing	25 pcs
Quantity – Palett	700 pcs