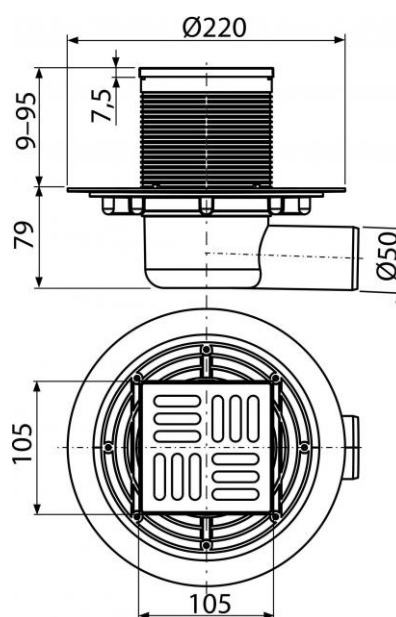


## APV1321

Floor drain 105×105/50 mm side outlet, stainless steel grid, combined odour trap SMART



### Application

For indoor spaces where is not expected frequent usage of the floor drain (laundries, boiler rooms, cellars)  
For drainage of floor level showers  
For wheelchair access

### Features

- Stainless steel grid 102×102×5 mm
- Height adjustable throat 9-95 mm
- Wide insulation collar for connection to waterproofing construction
- Side connection to waste Ø50 mm
- Mechanically cleanable trap up to the waste pipe
- Combined odour trap SMART
- Water column and mechanical flap effectively prevent the penetration of odours from the sewer
- Compatibility with floor drains parts including wet, dry and combined odour trap SMART
- Material: polypropylene resistant to mechanical, chemical and thermal damage

### Norms

EN 1253

### Scope of supply

- Floor drain body Ø50 mm, side outlet
- Floor drain throat 105×105 mm
- Stainless steel grid
- Combined odour trap SMART
- Seal kit

### Order number

Code	EAN
APV1321	8595580518462

## APV1321

Floor drain 105×105/50 mm side outlet, stainless steel grid, combined odour trap SMART

### Technical specifications

- Flow of the inlet grid 37 l/min
- Odour trap 30 mm
- Load class K3 300 kg
- Waste pipe diameter 50 mm
- Total installation height 79-174 mm

### Warranty

2/6 years

Weight - piece	0.7833 kg
Weight – packing	6.3096 kg
Weight - pallet	kg
Dimensions - piece	230×190×230 mm
Dimensions – packing	780×245×475 mm
Quantity – packing	8 pcs
Quantity – Palett	160 pcs