

Deck Mounted Bath Filler Installation Manual

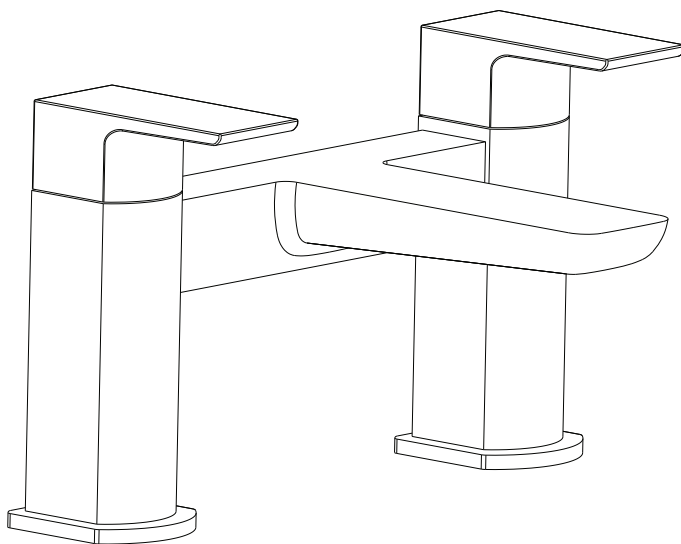


**THIS PRODUCT MUST BE INSTALLED
BY A LICENSED PLUMBER**

MYLIFE®

PRE-INSTALLATION CHECKS

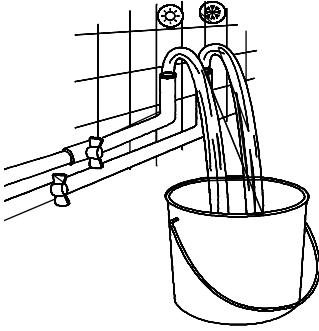
- Please read installation instructions fully before commencing installation.
- Check that the product is compatible with your current requirements.
- Before installation, please make sure you have received all items and that they are undamaged. Any damage claims after installation will not be accepted.
- Turn off the main water supply before connecting to any existing pipe work.



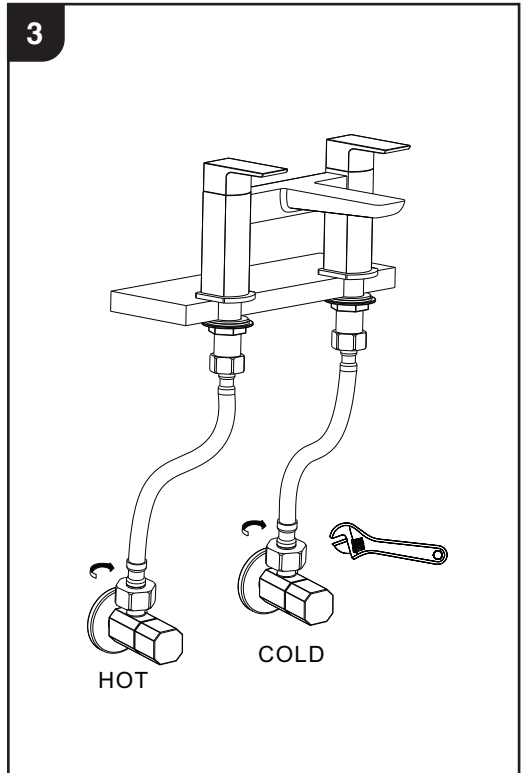
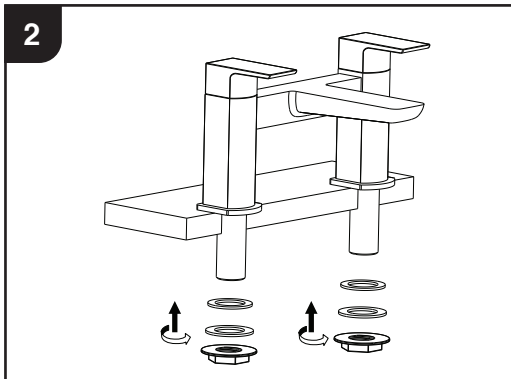
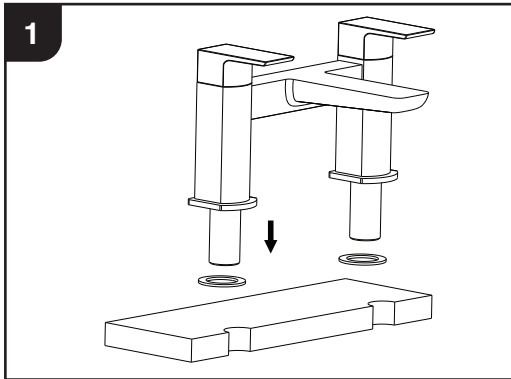
CARE INSTRUCTION

- During installation, extra care must be taken to avoid damaging the fitting or its finish.
- This product is finished to a high standard. To keep the product surface in pristine condition, clean with a soft damp cloth only. To avoid limescale / watermarks from building up, it is advisable to wipe the fitting dry each time it is used.
- Damage to the surface caused by improper cleaning/maintenance will not be covered under guarantee.
- On no account should any bathroom cleaner be used on this product as these can contain acids that are aggressive/corrosive on finished surfaces! Do not use abrasive sponges, scouring agents, organic solvents or acidic cleaners as they may cause surface deterioration.

INSTALLATION



Prior to installation, flush out the pipework. Turn off the water supply before commencing installation.



AFTER SALES & TECHNICAL SUPPORT

Our highly experienced after sales and technical support team are always on hand to help should you require technical advice or a spare part.

T: +44 (0)28 3025 9988

E: technical@mylifebathrooms.com