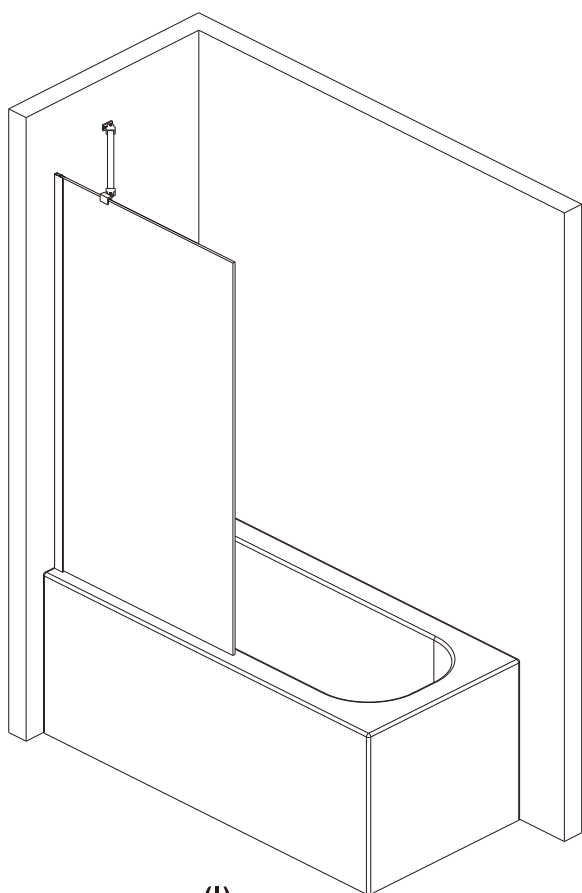


Emmi Single Barthscreen Installation Instructions

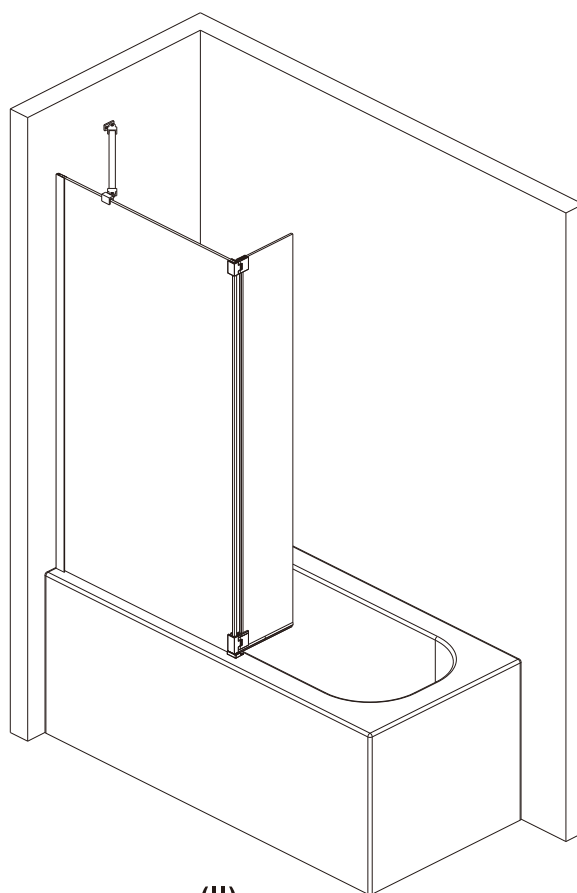
THIS PRODUCT MUST BE INSTALLED
BY A LICENSED PLUMBER / JOINER



Manufactured to: BS EN14428



(I)
See Page 7-10



(II)
See Page 11-14

MyLife Shower Enclosure Cleaning Instructions

To maintain your MyLife shower enclosure we advise cleaning your enclosure after every use following the instructions below:

Install the shower enclosure in a well-ventilated bathroom and ensure any residual water on the shower glass is removed after every use.

MYSHIELD Easy Clean Glass Cleaning

Clean with warm soapy water (Alternatively you can use a white vinegar and water solution of equal parts, ensure all vinegar residue is washed off) and a damp cloth/soft sponge then rinse and remove any excess water using a squeegee. To give a nice sheen buff with a dry cloth.

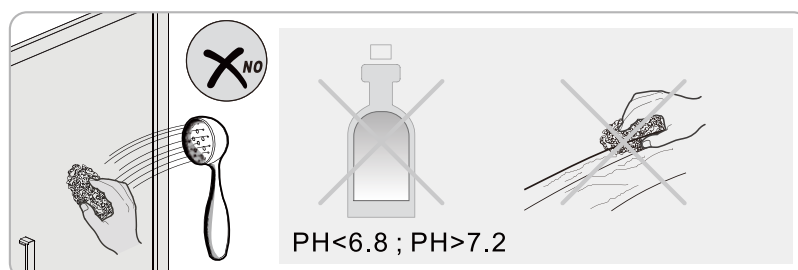
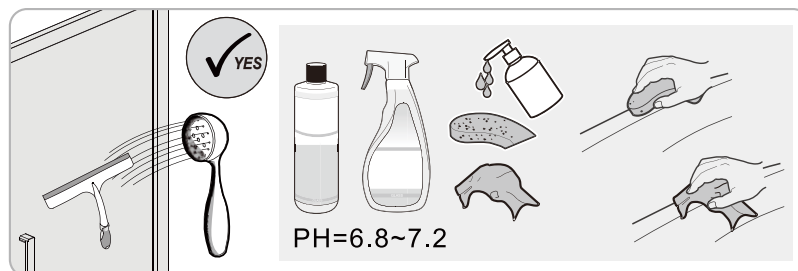
Profiles & Fixings Cleaning

Regularly clean with warm soapy water and a damp cloth/soft sponge only. After cleaning rinse with clean water to remove any residue left behind.

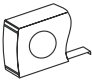


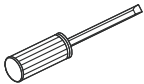
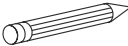
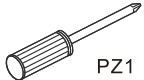

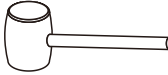


DO NOT use scouring pads or abrasive chemicals cleaners - these can cause damage to the components, especially the plated parts. Do not allow limescale to build up in hard water areas on the shower enclosure.


The metal parts of the shower enclosure are vulnerable to acid attack and some strong household cleaners including strong disinfectants, denture cleaners and hair dyes, may contain acid. These products can have a varying effect on the surface from black spots/streaks (which cannot be removed) to pitting the surface. Contact with these materials should be avoided.

After installation, please leave the instructions with the end user.



TOOLS REQUIRED

DESCRIPTION	PART IMAGE	DESCRIPTION	PART IMAGE
Tape measure		Drill	
Spirit level		Flat-head Screwdriver	
Pencil		Cross head Screwdriver	 PZ1
Ø6mm Drill bit		Mallet	
Ø3mm Drill bit		Silicone Sealant	

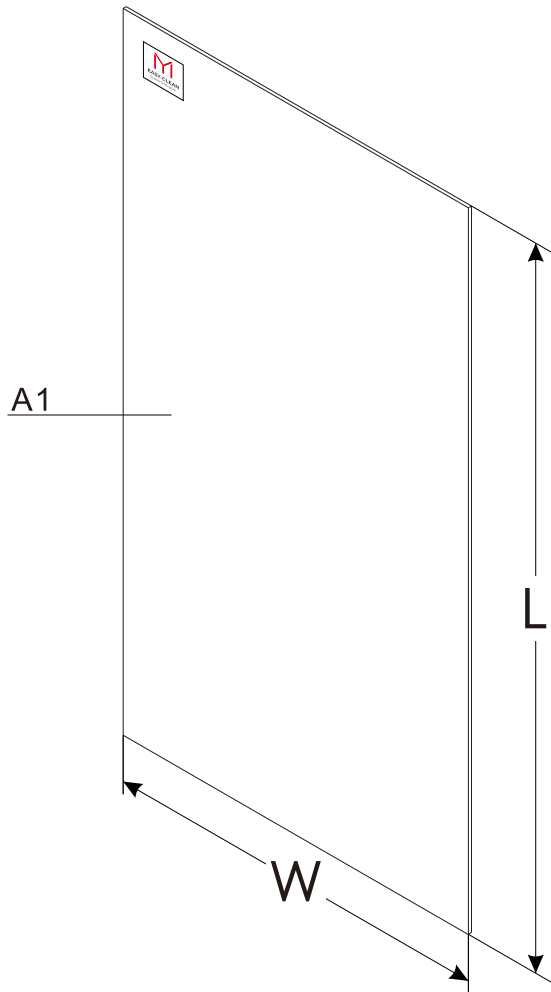
 This product is heavy and may require two people to install.

ASSEMBLY INSTRUCTIONS - DRAWING

NB: ALL MEASUREMENTS + COMPONENT SIZES QUOTED ARE IN MM.

Fixed Glass

A



CODE	W	L
EMBSG815	764	1500



NOTE: MYLIFE EASY-CLEAN MUST ALWAYS BE ON THE INSIDE, PLEASE SEE LABEL ON THE GLASS.

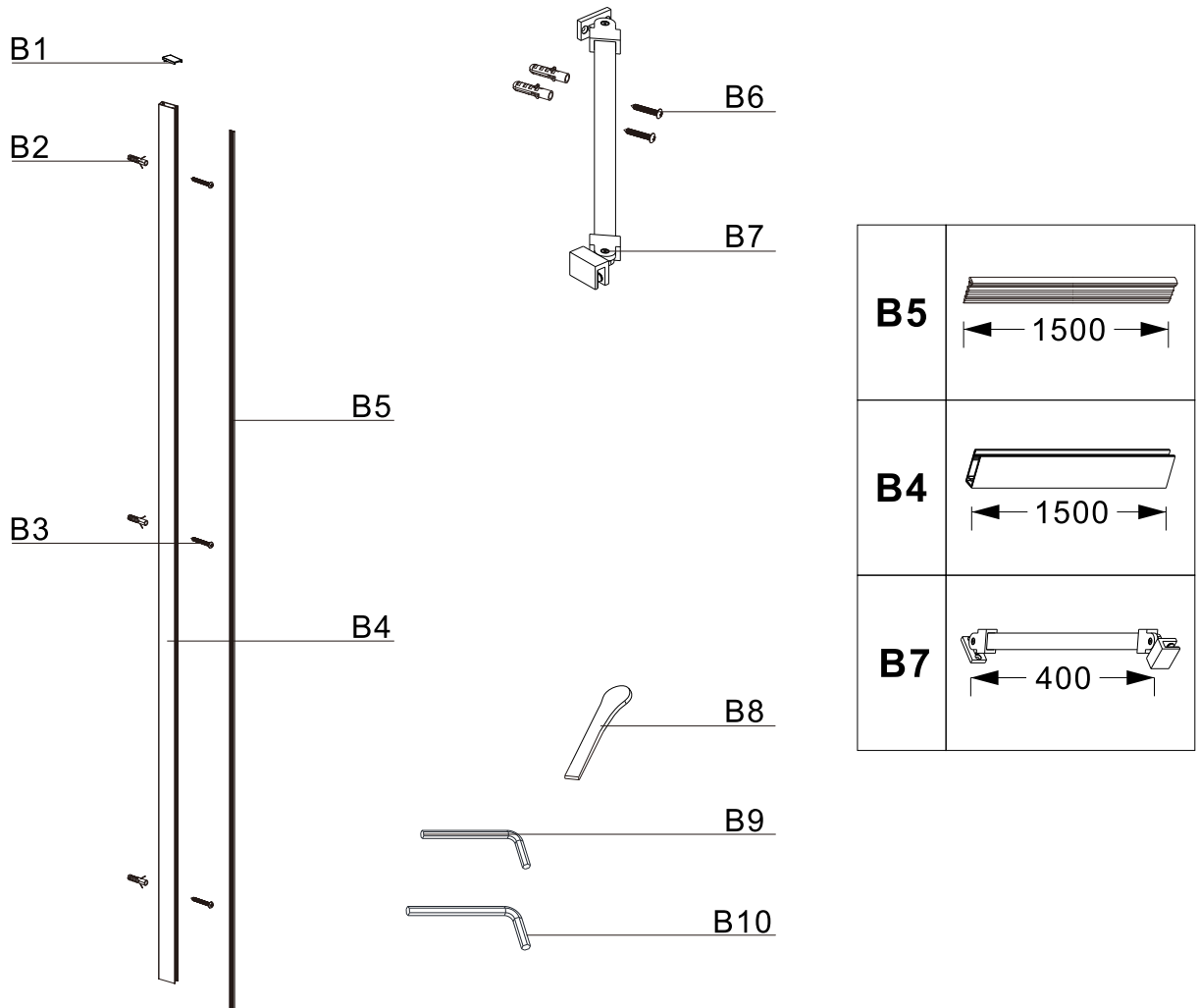
(A1) 1x Fixed Glass

ASSEMBLY INSTRUCTIONS - DRAWING

NB: ALL MEASUREMENTS + COMPONENT SIZES QUOTED ARE IN MM.

Wall Profile & Bracing Bar Kit (EMBSKITCP) (EMBSKITBL) (EMBSKITBB) (EMBSKITGM)

B



(B1) 1x Wall Profile Cover Cap

(B2) 5x Wall Plugs

(B3) 3x Round Head Screws ST4x30

(B4) 1x Wall Profile

(B5) 1x Seal

(B6) 2x Flat Head Screws ST4x30

(B7) 1x Top Bar

(B8) 1x Gasket Fitting Hand tool

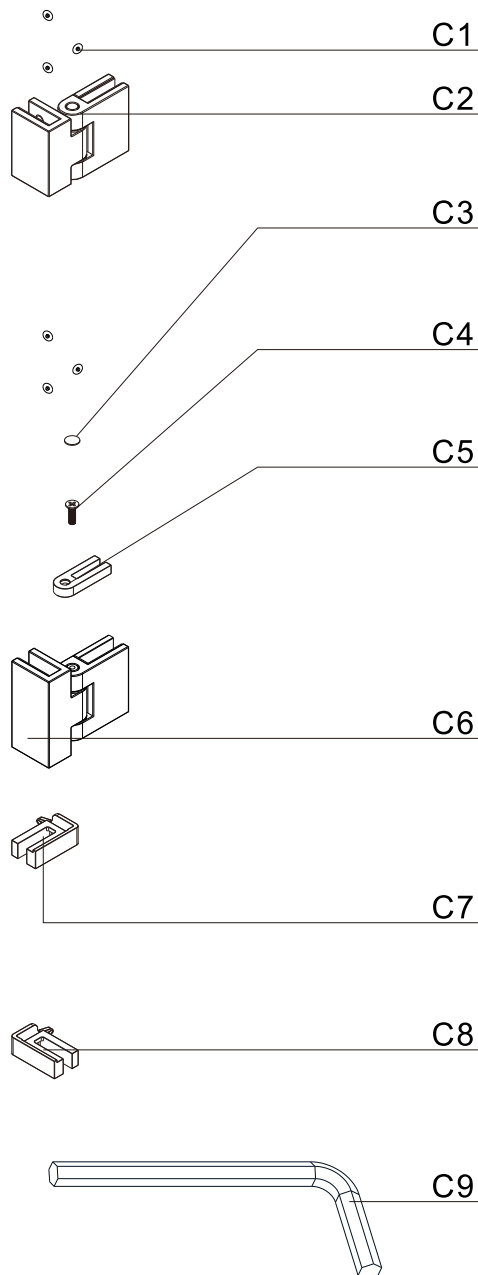
(B9) 1x Hex Socket Wrench 2.0mm

(B10) 1x Hex Socket Wrench 3.0mm

ASSEMBLY INSTRUCTIONS - DRAWING

NB: ALL MEASUREMENTS + COMPONENT SIZES QUOTED ARE IN MM.

Flipper Panel Hinge 180° (EMBSFG30)



(C1) 6x Screw Covers

(C2) 1x Hinge Top

(C3) 1x Screw Cover

(C4) 1x Screw M4x14

(C5) 1x Glass Clip

(C6) 1x Hinge Bottom

(C7) 1x Bottom Guide Block L

(C8) 1x Bottom Guide Block R

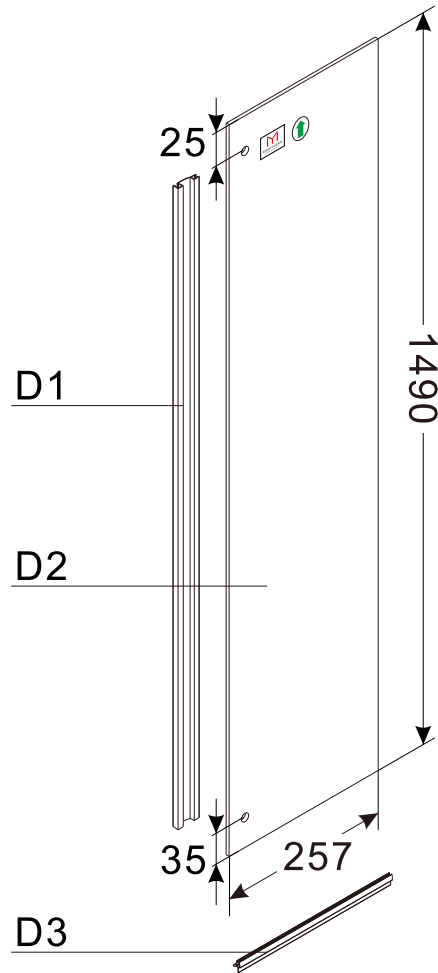
(C9) 1x Hex Socket Wrench 4.0mm

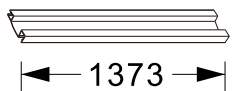
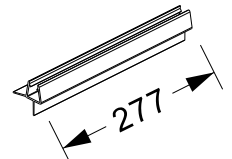
ASSEMBLY INSTRUCTIONS - DRAWING

NB: ALL MEASUREMENTS + COMPONENT SIZES QUOTED ARE IN MM.

Flipper Panel With Seal (EMWFG30)

D



D1	
D2	

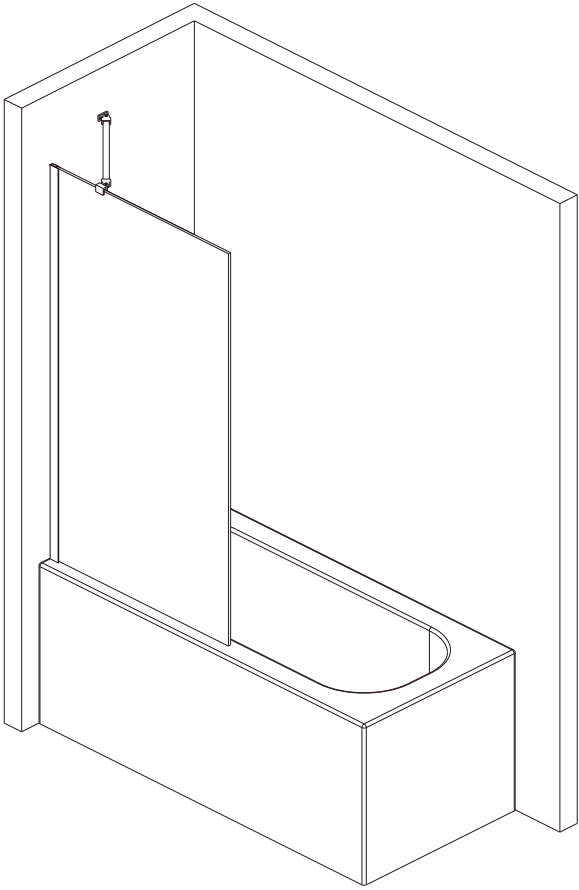


THIS DIRECTION FOR TOP SIDE.

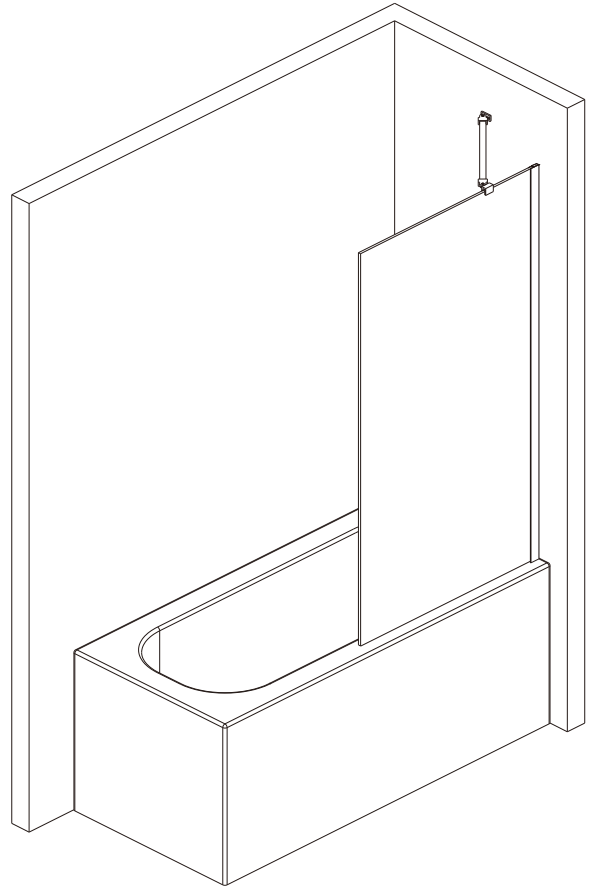
(D1) 1x Seal

(D2) 1x Flipper Panel

(D3) 1x Bottom Seal



LH

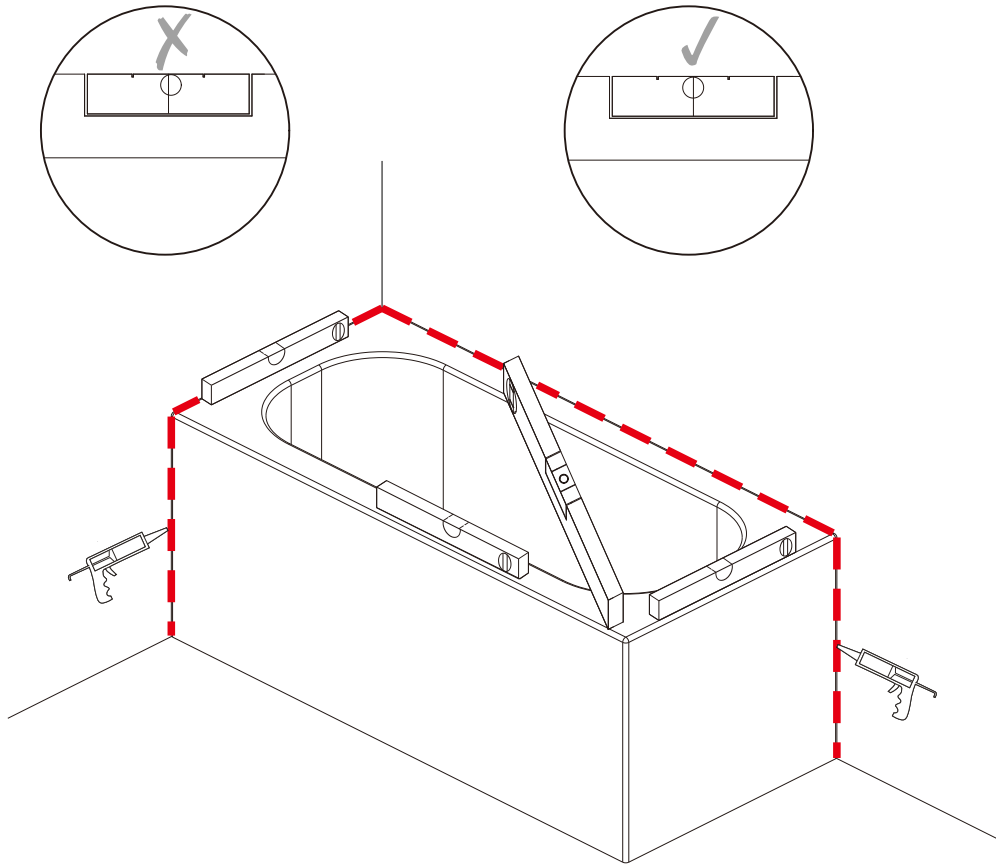


RH

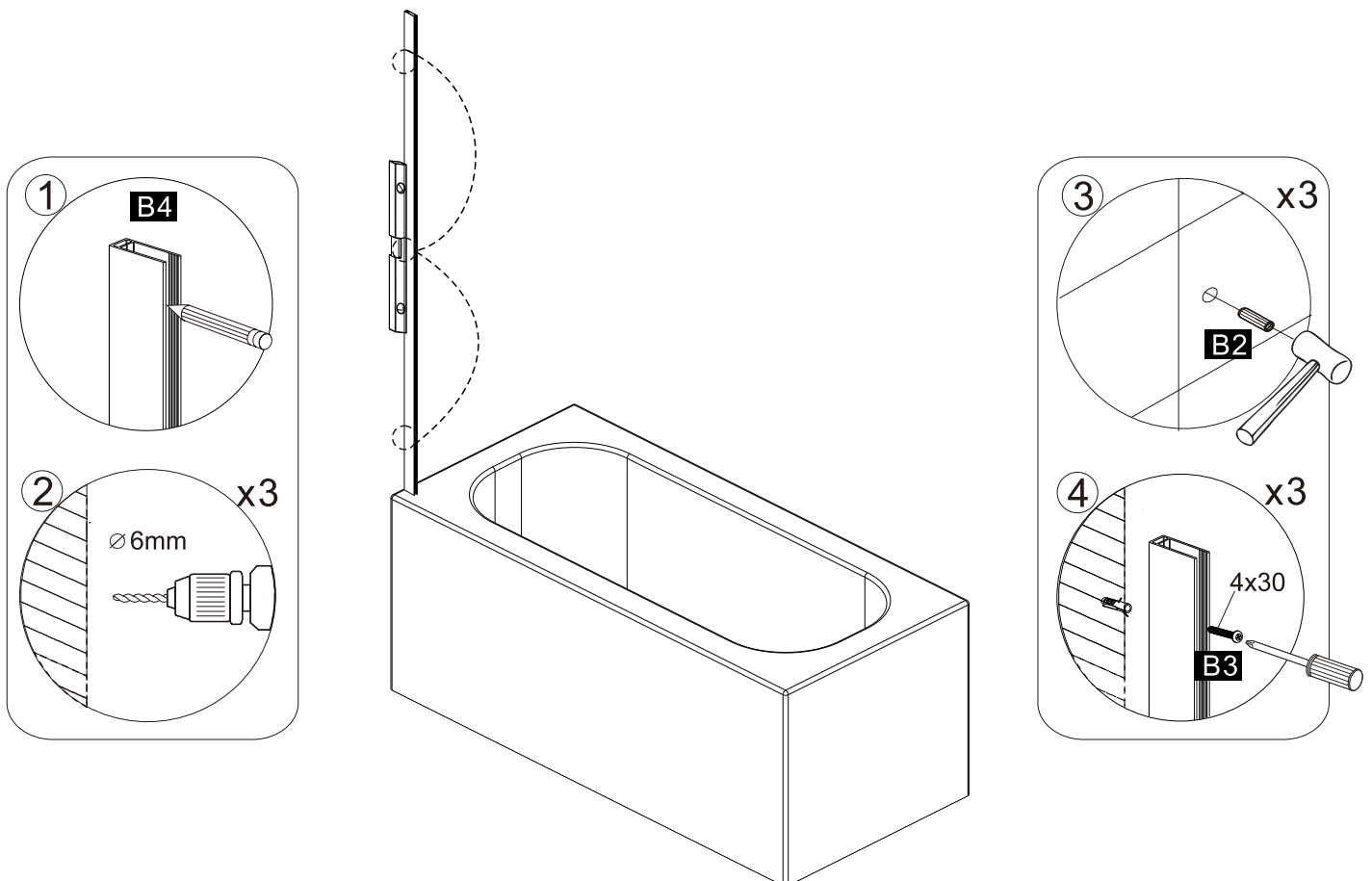
(I)

STEP 1 TRAY TO BE LEVEL

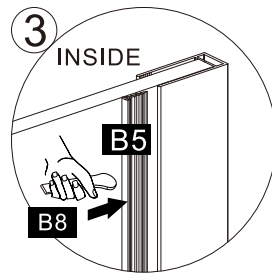
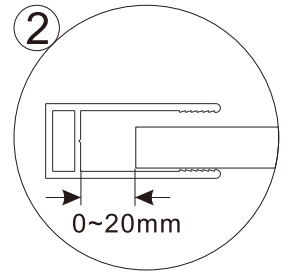
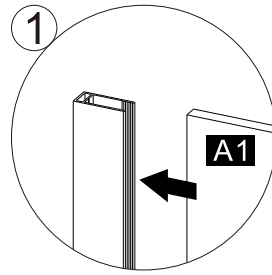
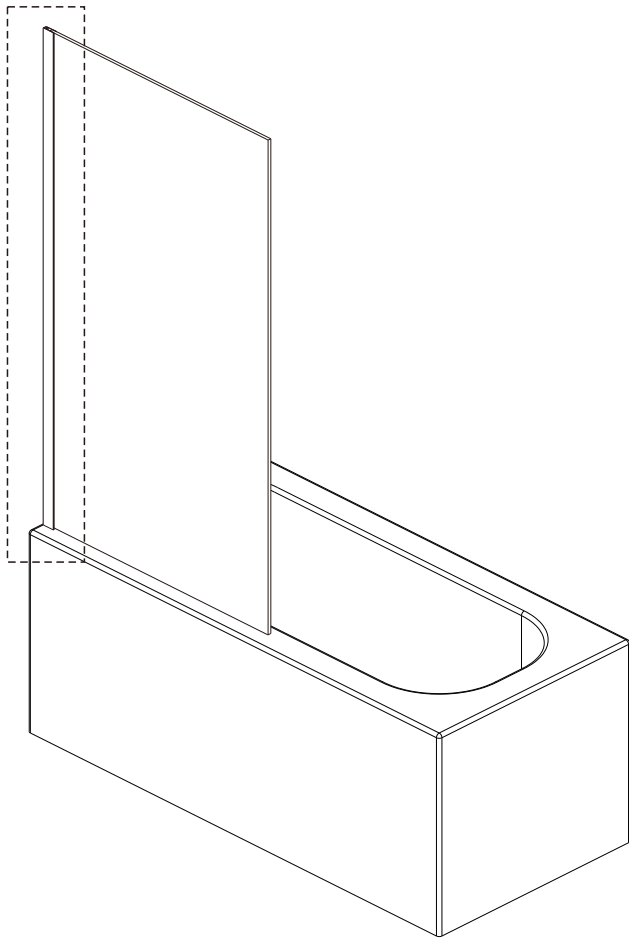
MAKE SURE THE BATH IS LEVEL, USING A SPIRIT LEVEL, BEFORE INSTALLING THIS SHOWER PANE/DOOR, AND THAT SILICONE IS APPLIED ON ALL SIDES WHERE THE BATH MEETS THE TILES / WET WALL PANELS



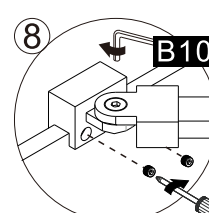
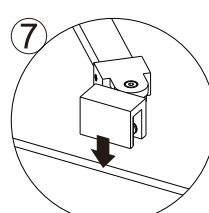
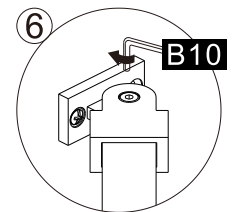
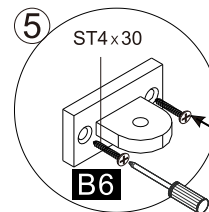
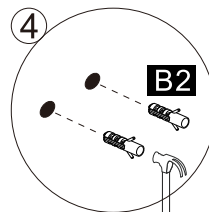
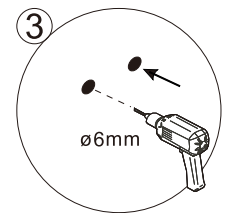
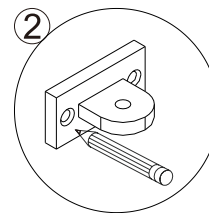
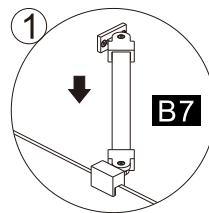
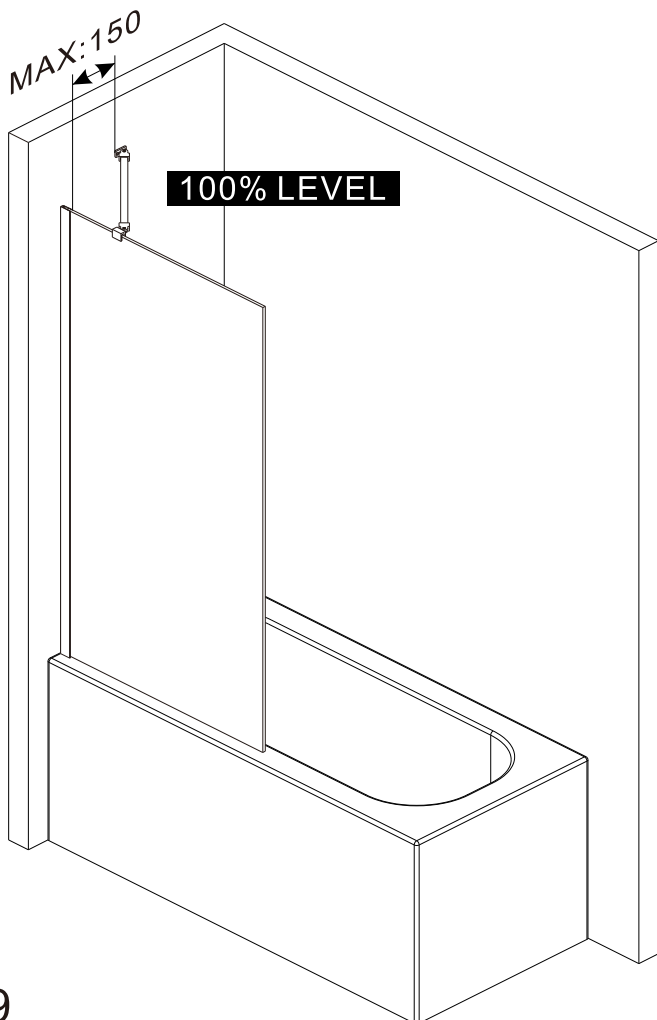
STEP 2



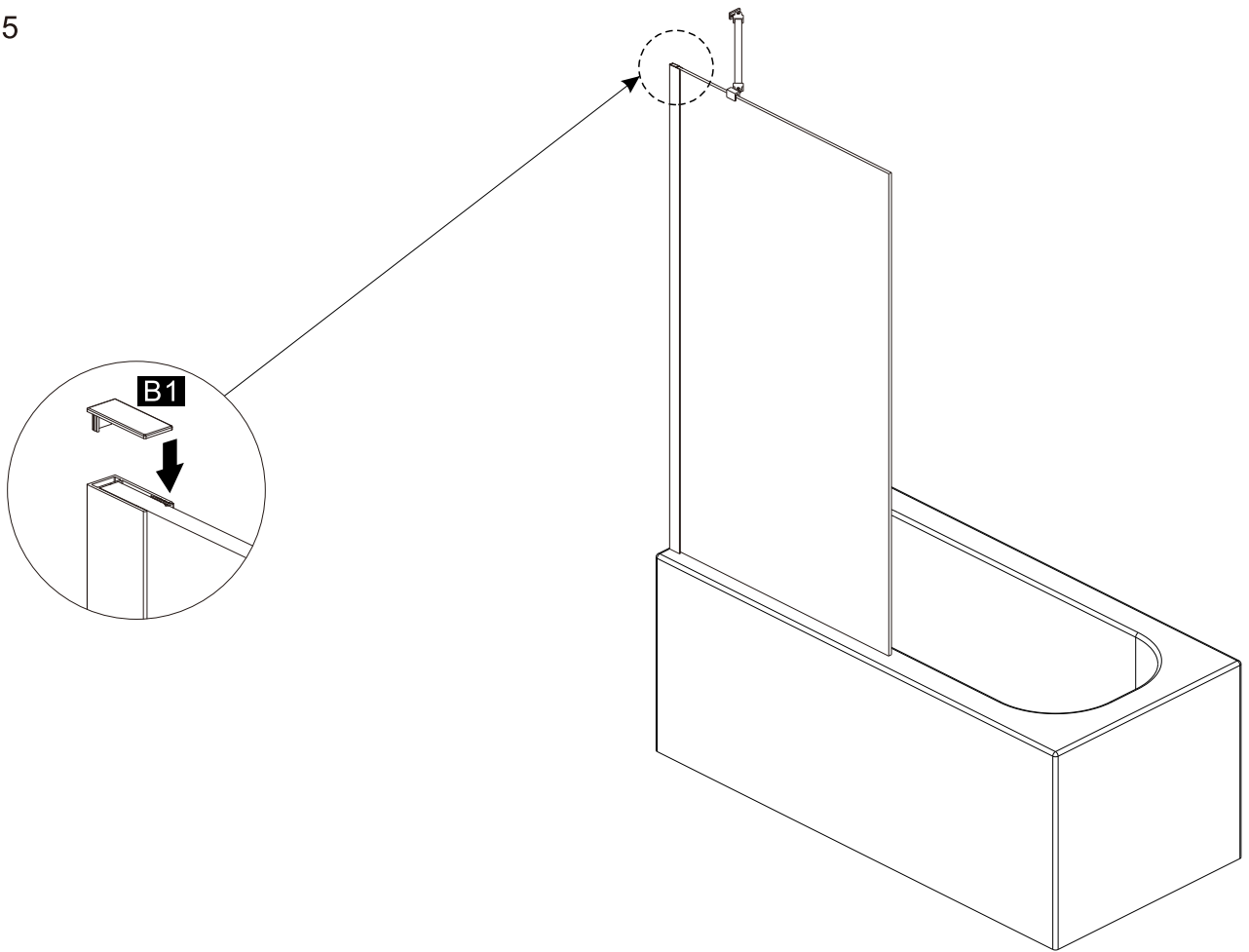
STEP 3



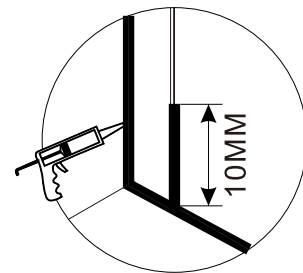
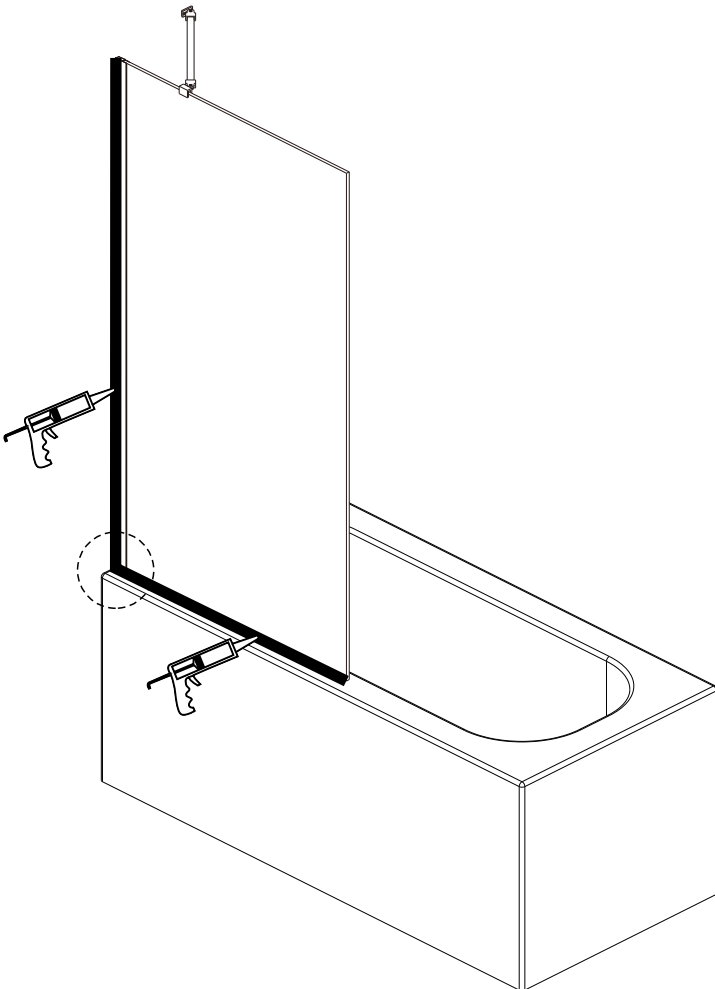
STEP 4



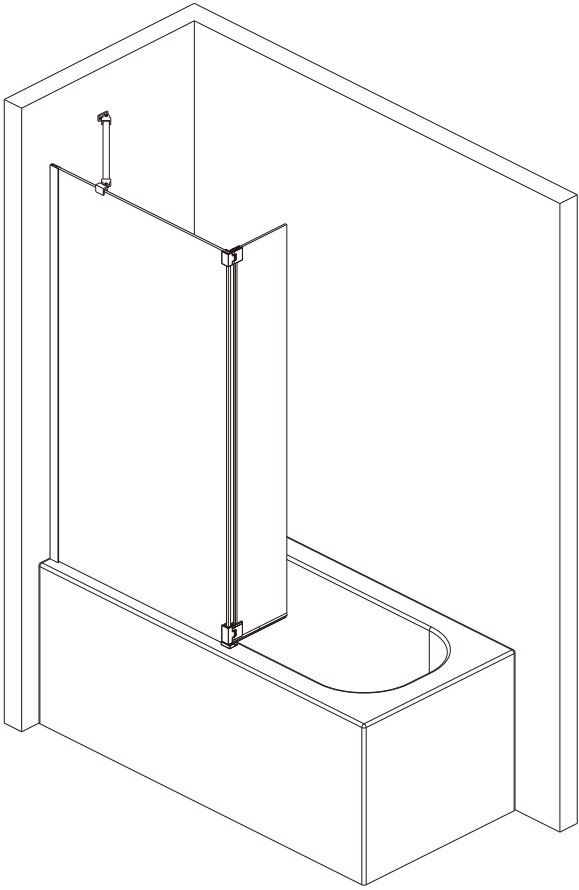
STEP 5



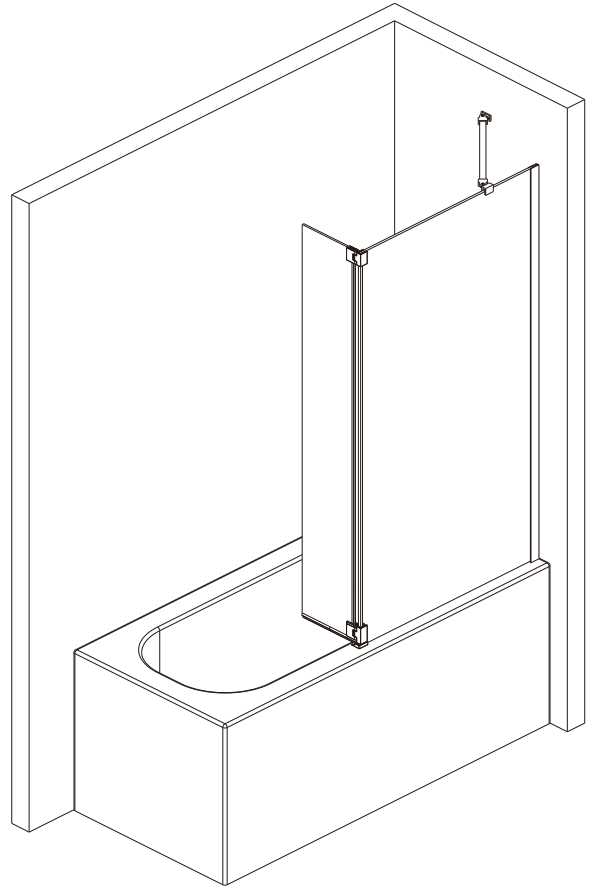
STEP 6



Allow 24 hours for silicone to dry before use. Silicone on the outside edge only



LH

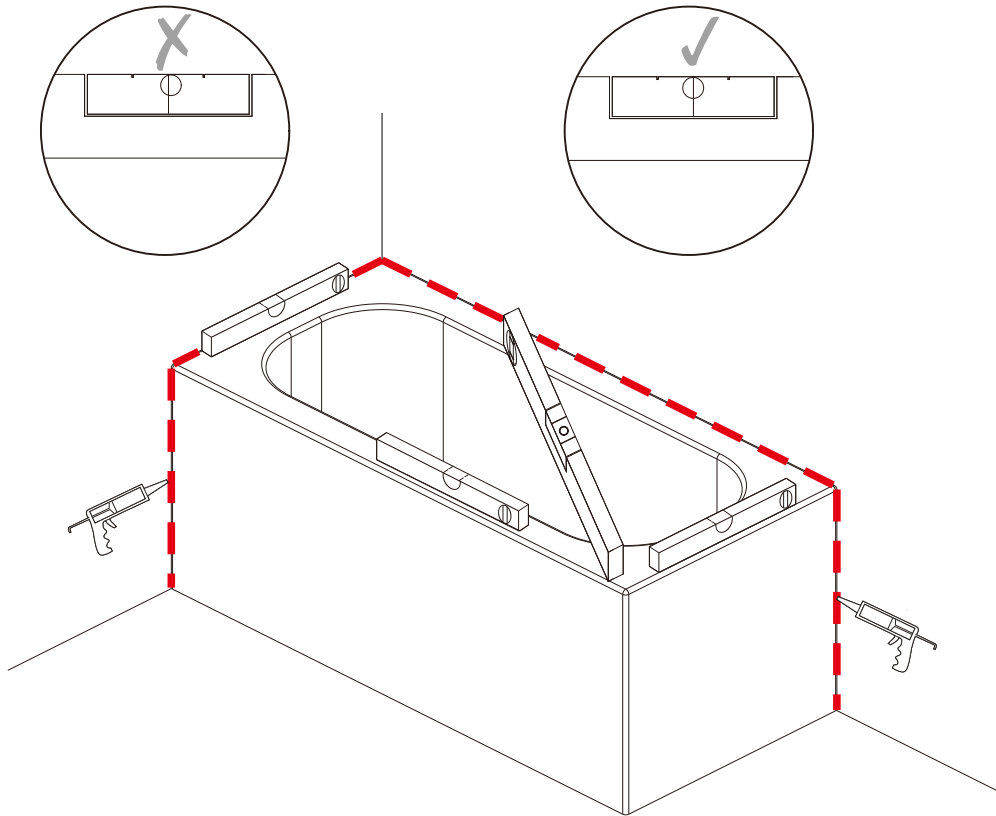


RH

(II)

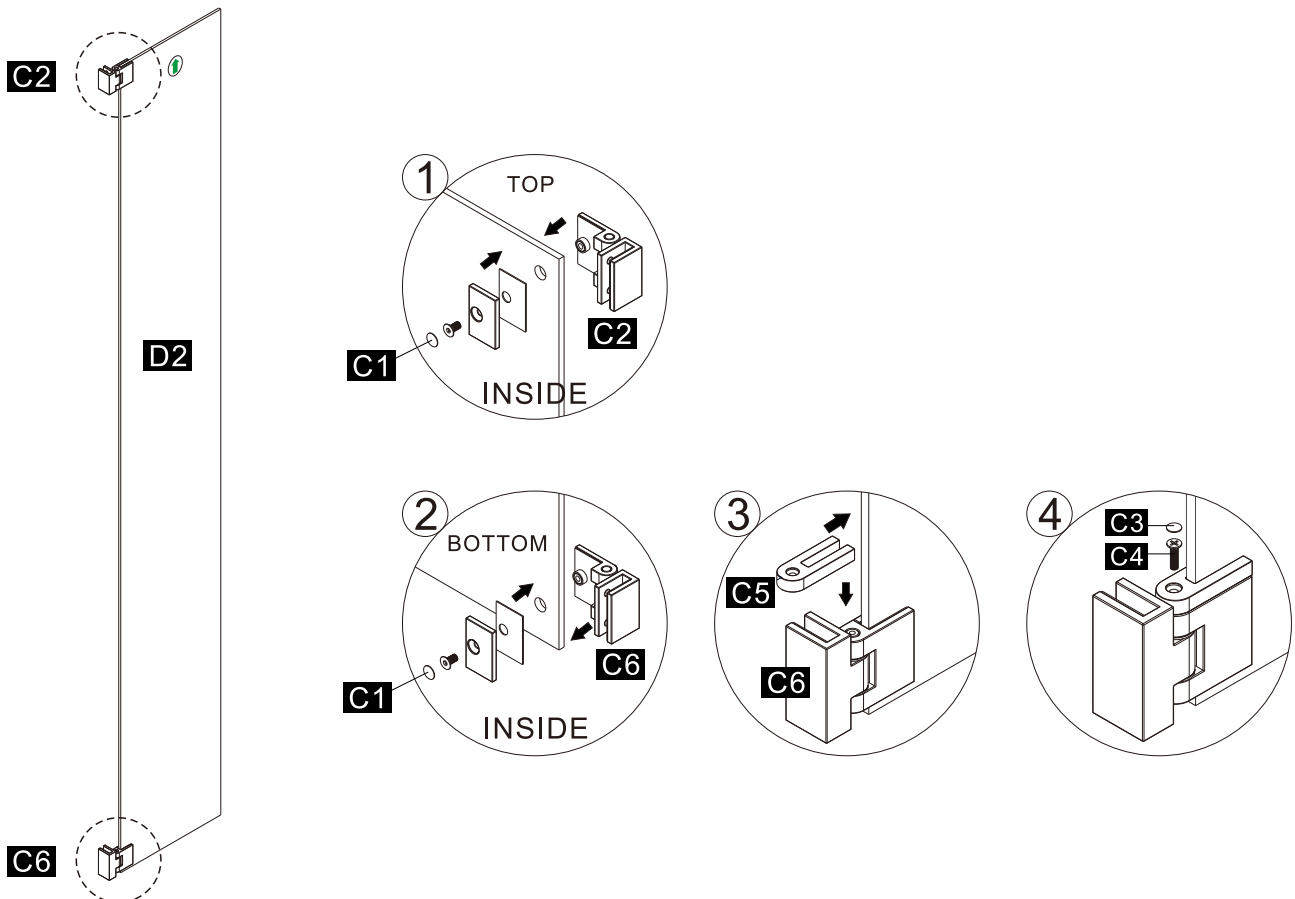
STEP 1 TRAY TO BE LEVEL

MAKE SURE THE BATH IS LEVEL, USING A SPIRIT LEVEL, BEFORE INSTALLING THIS SHOWER PANE/DOOR, AND THAT SILICONE IS APPLIED ON ALL SIDES WHERE THE BATH MEETS THE TILES / WET WALL PANELS

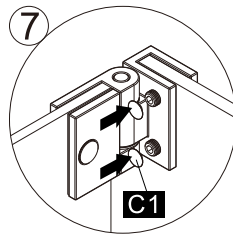
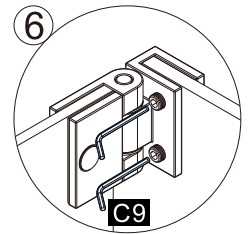
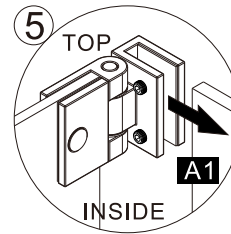
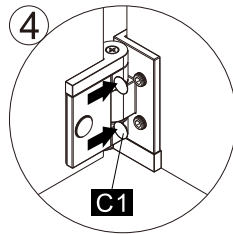
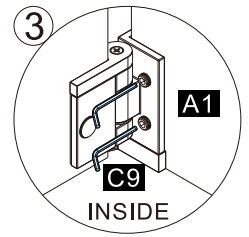
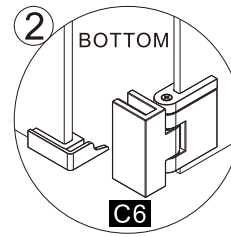
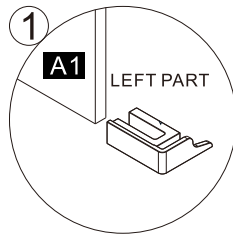
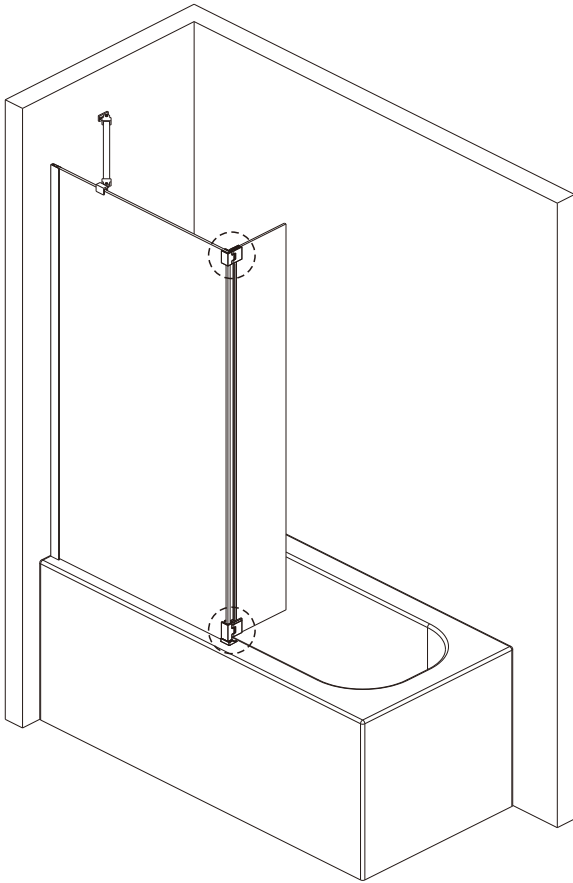


STEP 2

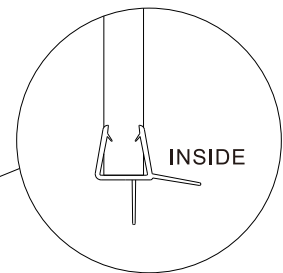
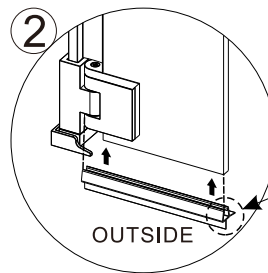
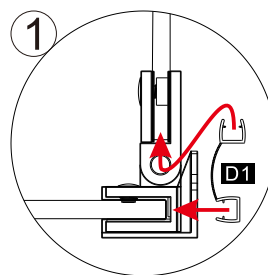
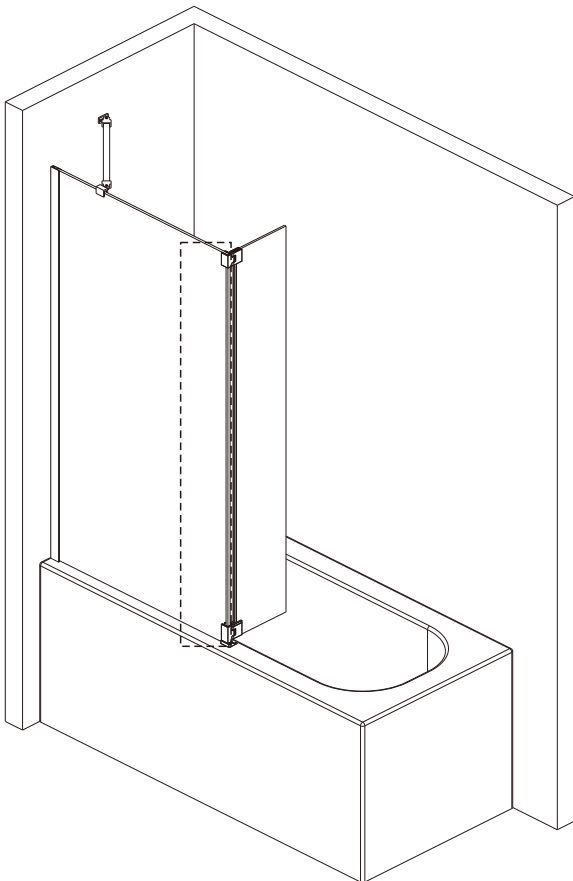
CHECK LEFT HAND OR RIGHT HAND FITTING BEFORE ASSEMBLY . BELOW ONLY SHOW THE LEFT HAND STEPS .



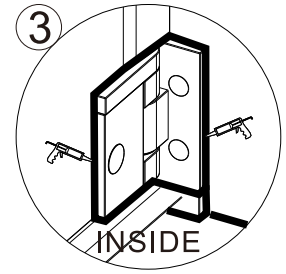
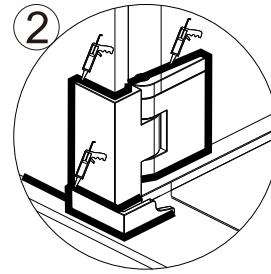
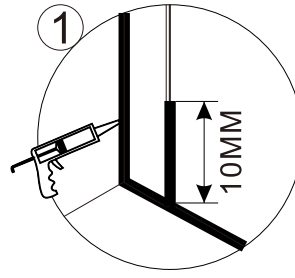
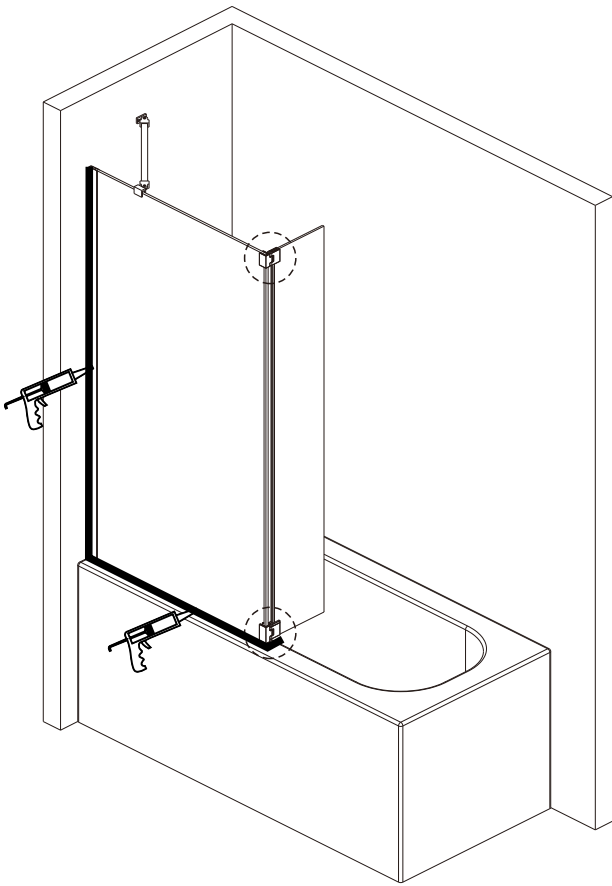
STEP 3



STEP 4



STEP 5



Allow 24 hours for silicone to dry before use. Silicone on the outside edge only