

# Edison Wall Hung Installation Manual

THIS PRODUCT MUST BE INSTALLED  
BY A LICENSED PLUMBER

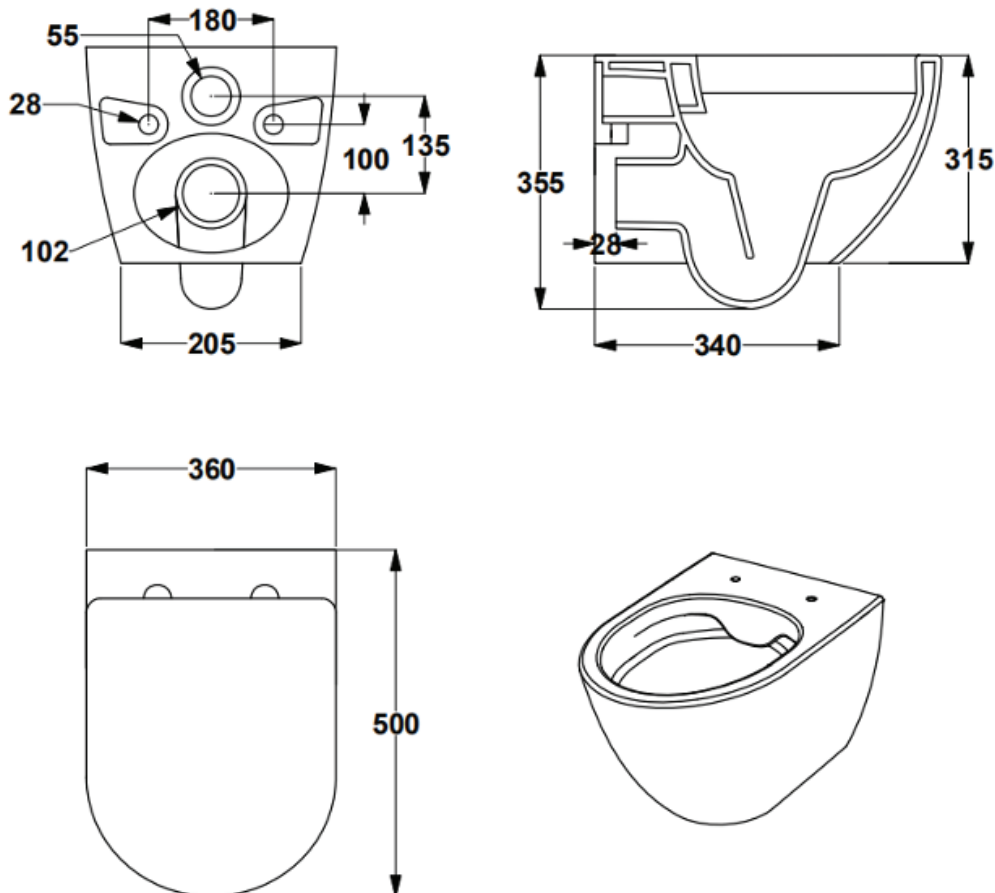


MYLIFE®

## PRE-INSTALLATION CHECKS

- Check that the toilet is compatible with your current requirements.
- Before installing the toilet, please make sure you have received all items and that they are undamaged. Any damage claims after installation will not be accepted.
- Check that the floor and wall are level and perpendicular.

Note: Vitreous China items are subject to manufacturing tolerances and could vary in size from batch to batch. It is industry accepted that a variance of  $\pm 5\text{mm}$  is considered normal. It is recommended to have the Vitreous China item on hand prior to any setout work.



## CARE INSTRUCTION

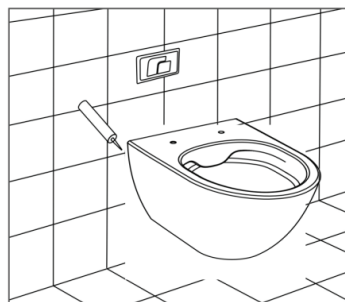
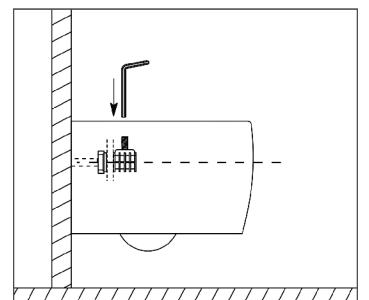
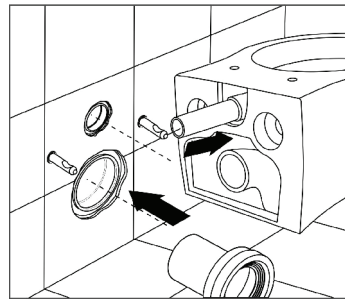
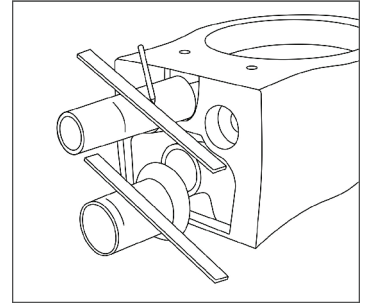
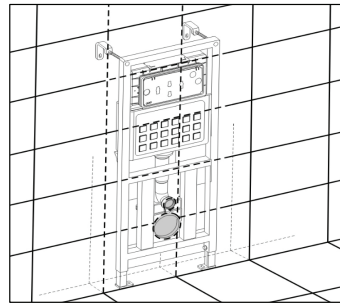
- Do not use abrasive cleaners to clean the pan and toilet seat as they may scratch and dull the pan and seat surface. Do not use cleaners containing chlorine as it can seriously damage the fittings.
- Use warm soapy water or liquid detergent to clean the surface and dry with a soft cloth.

# Edison Wall Hung Installation Manual



## INSTALLATION

1. Install the wall hung frame as per the frame instructions.
2. Measure and cut the inlet pipe to suit.
3. Attach the wall hung fixings to the pan and follow the wall hung fixings installation instructions carefully.
4. Use the allen key to tighten the bolts according to the wall hung fixings installation instructions.
5. Once you are confident that there are no leaks and the toilet is working correctly apply a bead of silicone around the back of the pan.
6. Install the seat after the silicone. Instructions for installing the seat come in the seat box.



## AFTER SALES & TECHNICAL SUPPORT

Our highly experienced after sales and technical support team are always on hand to help should you require technical advice or a spare part.

T: +44 (0)28 3025 9988

E: [technical@mylifebathrooms.com](mailto:technical@mylifebathrooms.com)