

Brant Open Back Close Coupled Toilet Suite Installation Manual



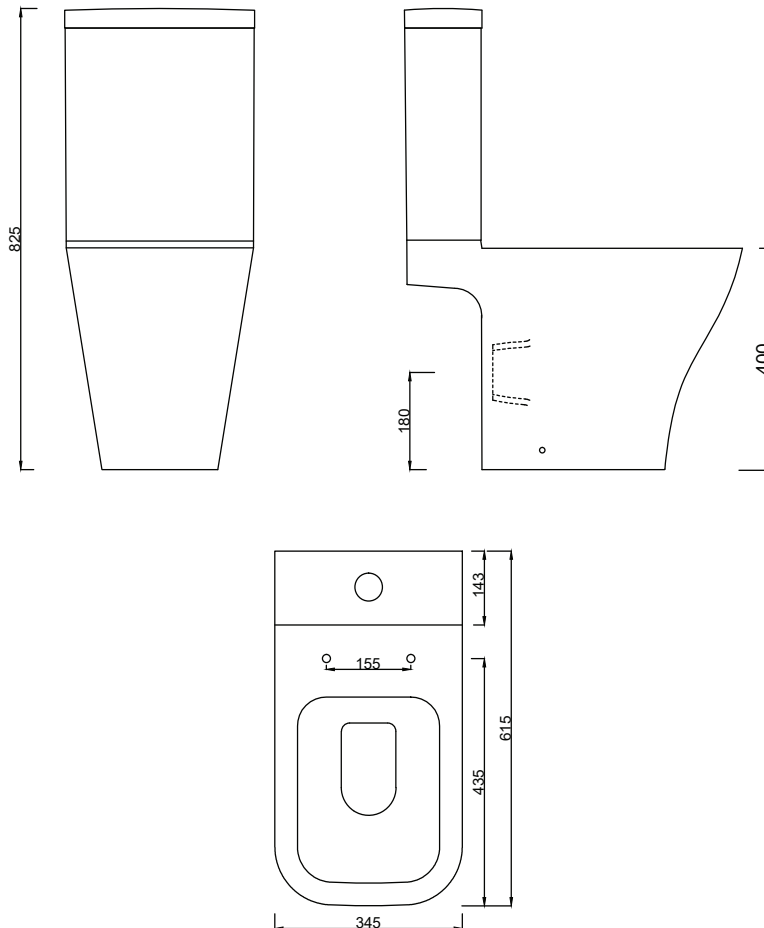
MYLIFE®

**THIS PRODUCT MUST BE INSTALLED
BY A LICENSED PLUMBER**

PRE-INSTALLATION CHECKS

- Check that the toilet is compatible with your current requirements.
- Before installing the toilet, please make sure you have received all items and that they are undamaged. Any damage claims after installation will not be accepted.
- Check that the floor and wall are level and perpendicular.

Note: Vitreous China items are subject to manufacturing tolerances and could vary in size from batch to batch. It is industry accepted that a variance of $\pm 5\text{mm}$ is considered normal. It is recommended to have the Vitreous China item on hand prior to any setout work.



CARE INSTRUCTION

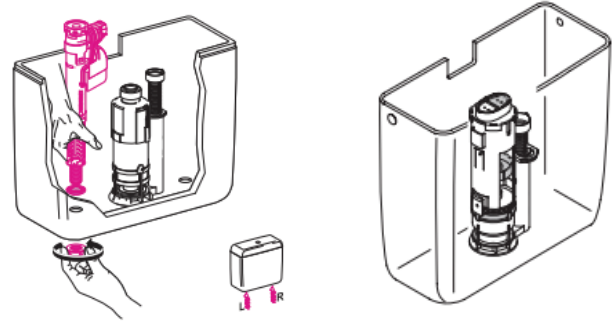
- Do not use abrasive cleaners to clean the pan and toilet seat as they may scratch and dull the pan and seat surface. Do not use cleaners containing chlorine as it can seriously damage the fittings.
- Use warm soapy water or liquid detergent to clean the surface and dry with a soft cloth.

Brant Open Back Close Coupled Toilet Suite Installation Manual

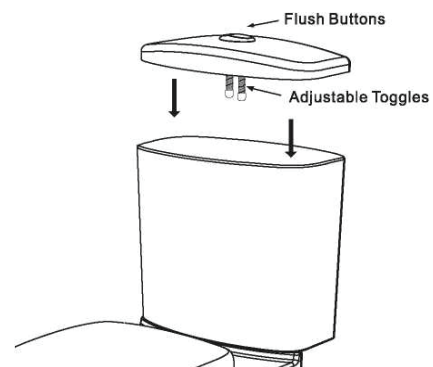
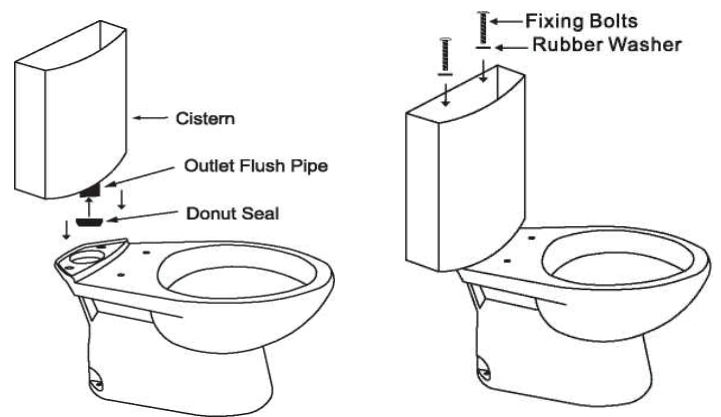


INSTALLATION

1. Install the inlet valve and flush valve following the fitting installation manual.
2. Floor fixing kit - measure and install the floor fixing kit. Do not install the external locking screws at this stage.
3. Connect the waste to the sewer. Ensure that all connections are properly engaged and a good seal has been achieved.
4. Place the foam/donut seal over the outlet flush pipe on the base of the cistern.
5. Connect the cistern and pan together using the fixing bolts provided (the outlet flush valve can be removed to assist with bolt assembly by turning it anti-clockwise then lifting it out).
6. Install the flush buttons onto the cistern lid. Note - button toggles can be adjusted.
7. Before fixing the toilet to the floor, connect the water supply to the inlet valve at the base of the cistern and ensure that the toilet is working correctly by doing several flush tests. Check for leaks.
8. Once you are confident that there are no leaks and the toilet is working correctly, install the pan into the floor fixing kit provided and apply a bead of wet area silicone sealant around the base of the pan (refer to sealant instructions and allow recommended drying time).
9. Install the seat after the silicone. Instructions for installing the seat come in the seat box.



Avoid excessive force when tightening the nut.



AFTER SALES & TECHNICAL SUPPORT

Our highly experienced after sales and technical support team are always on hand to help should you require technical advice or a spare part.

T: +44 (0)28 3025 9988

E: technical@mylifebathrooms.com