

# Brant Back To Wall Pan Installation Manual

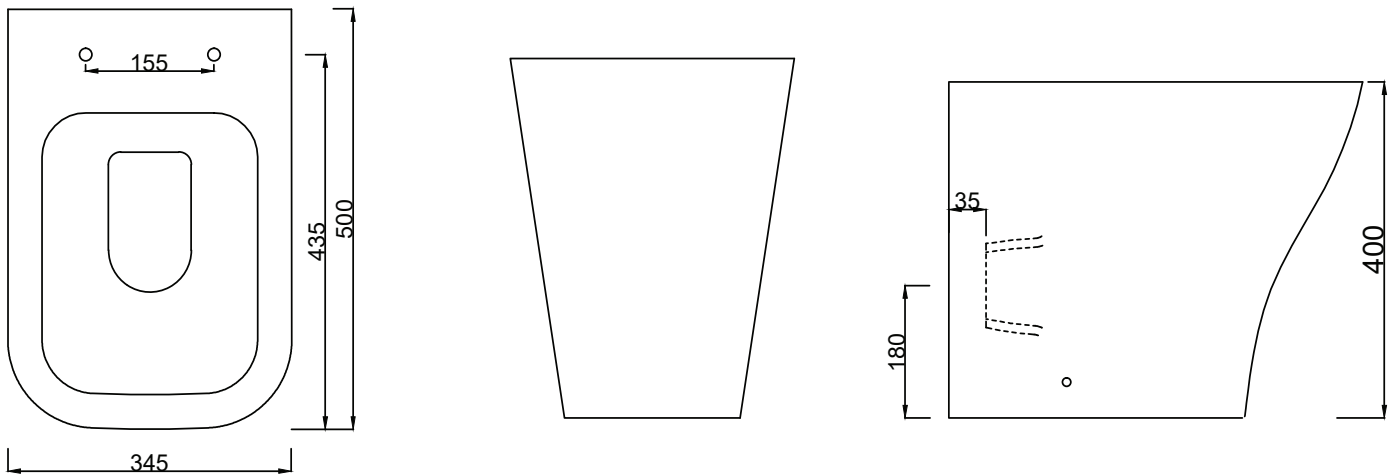
THIS PRODUCT MUST BE INSTALLED  
BY A LICENSED PLUMBER



## PRE-INSTALLATION CHECKS

- Check that the toilet is compatible with your current requirements.
- Before installing the toilet, please make sure you have received all items and that they are undamaged. Any damage claims after installation will not be accepted.
- Check that the floor and wall are level and perpendicular.

Note: Vitreous China items are subject to manufacturing tolerances and could vary in size from batch to batch. It is industry accepted that a variance of  $\pm 5\text{mm}$  is considered normal. It is recommended to have the Vitreous China item on hand prior to any setout work.



## CARE INSTRUCTION

- Do not use abrasive cleaners to clean the pan and toilet seat as they may scratch and dull the pan and seat surface. Do not use cleaners containing chlorine as it can seriously damage the fittings.
- Use warm soapy water or liquid detergent to clean the surface and dry with a soft cloth.

# Brant Back To Wall Pan Installation Manual



## INSTALLATION

1. Install the concealed cistern according to the fitting instructions.

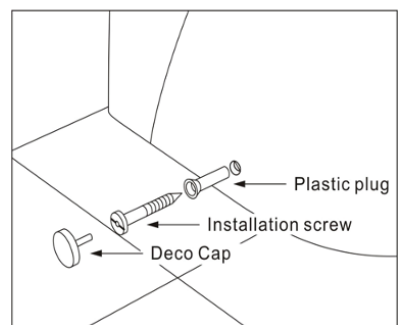
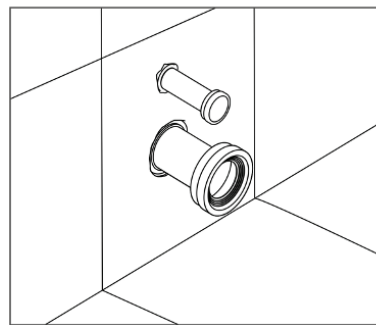
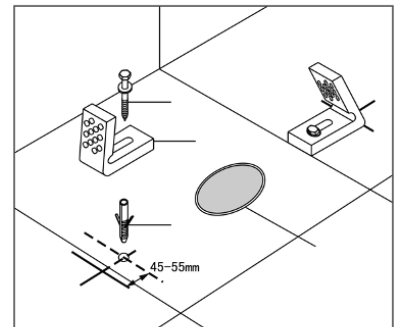
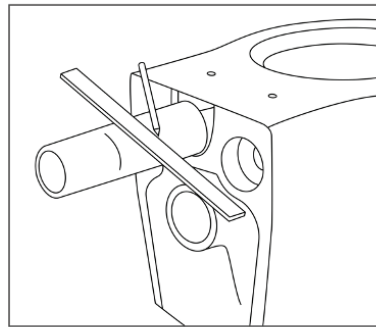
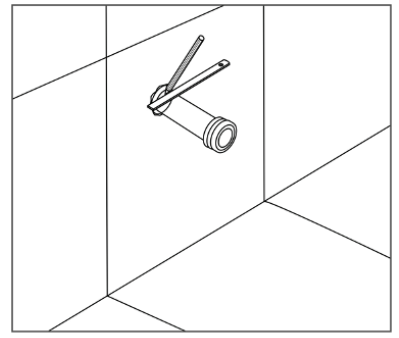
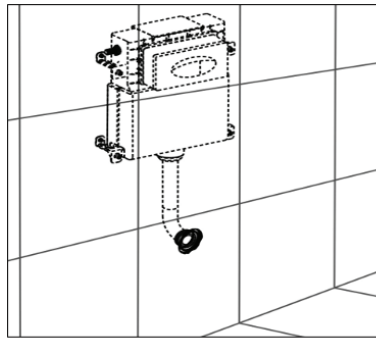
2. Line the pan up then measure the length of the inlet pipe and cut to suit.

3. Drill holes with a 10mm diameter; ensure the holes are 45-50mm away from the marked position. Fit the L-shape bracket to floor. Do not over tighten.

4. Attach the pan connector (not included) to the waste pipe and apply silicone around the hole. Connect the waste pipe to the pan .

5. Once you are confident that there are no leaks and the toilet is working correctly, install the pan into the floor fixing kit provided and apply a bead of wet area silicone sealant around the base of the pan.

6. Install the seat after the silicone. Instructions for installing the seat come in the seat box.



## AFTER SALES & TECHNICAL SUPPORT

Our highly experienced after sales and technical support team are always on hand to help should you require technical advise or a spare part.

T: +44 (0)28 3025 9988

E: [technical@mylifebathrooms.com](mailto:technical@mylifebathrooms.com)