

# Universal Concealed Valve Handles Installation Manual

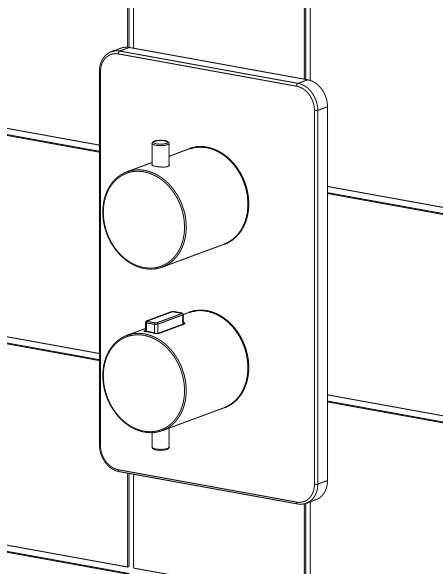


**THIS PRODUCT MUST BE INSTALLED  
BY A LICENSED PLUMBER**

MYLIFE®

## PRE-INSTALLATION CHECKS

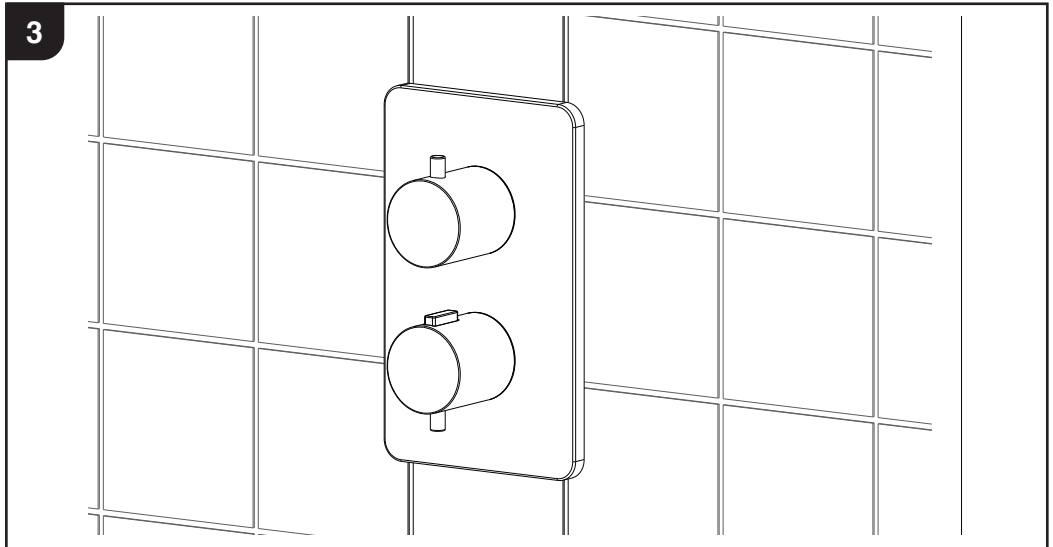
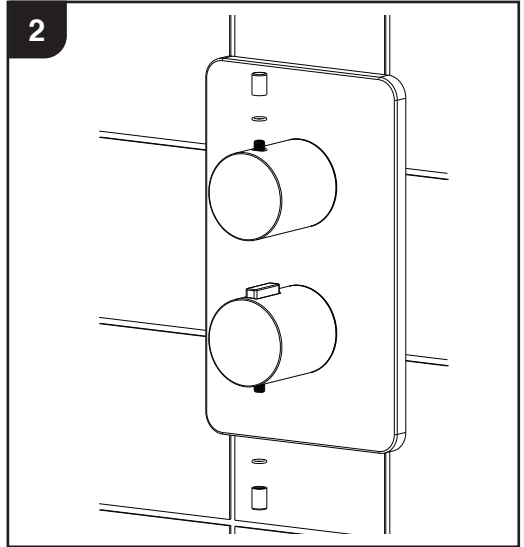
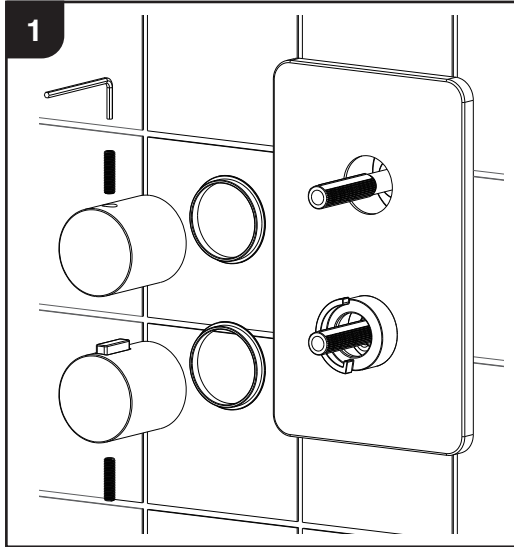
- Please read installation instructions fully before commencing installation.
- Check that the product is compatible with your current requirements.
- Before installation, please make sure you have received all items and that they are undamaged. Any damage claims after installation will not be accepted.
- Please check for any hidden pipes and cables, electric or otherwise before drilling holes in a wall.
- Turn off the main water supply before connecting to any existing pipe work.



## CARE INSTRUCTION

- During installation, extra care must be taken to avoid damaging the fitting or its finish.
- This product is finished to a high standard. To keep the product surface in pristine condition, clean with a soft damp cloth only. To avoid limescale / watermarks from building up, it is advisable to wipe the fitting dry each time it is used.
- Damage to the surface caused by improper cleaning/maintenance will not be covered under guarantee.
- On no account should any bathroom cleaner be used on this product as these can contain acids that are aggressive/corrosive on finished surfaces! Do not use abrasive sponges, scouring agents, organic solvents or acidic cleaners as they may cause surface deterioration.

## INSTALLATION



## AFTER SALES & TECHNICAL SUPPORT

Our highly experienced after sales and technical support team are always on hand to help should you require technical advise or a spare part.

T: +44 (0)28 3025 9988

E: [technical@mylifebathrooms.com](mailto:technical@mylifebathrooms.com)