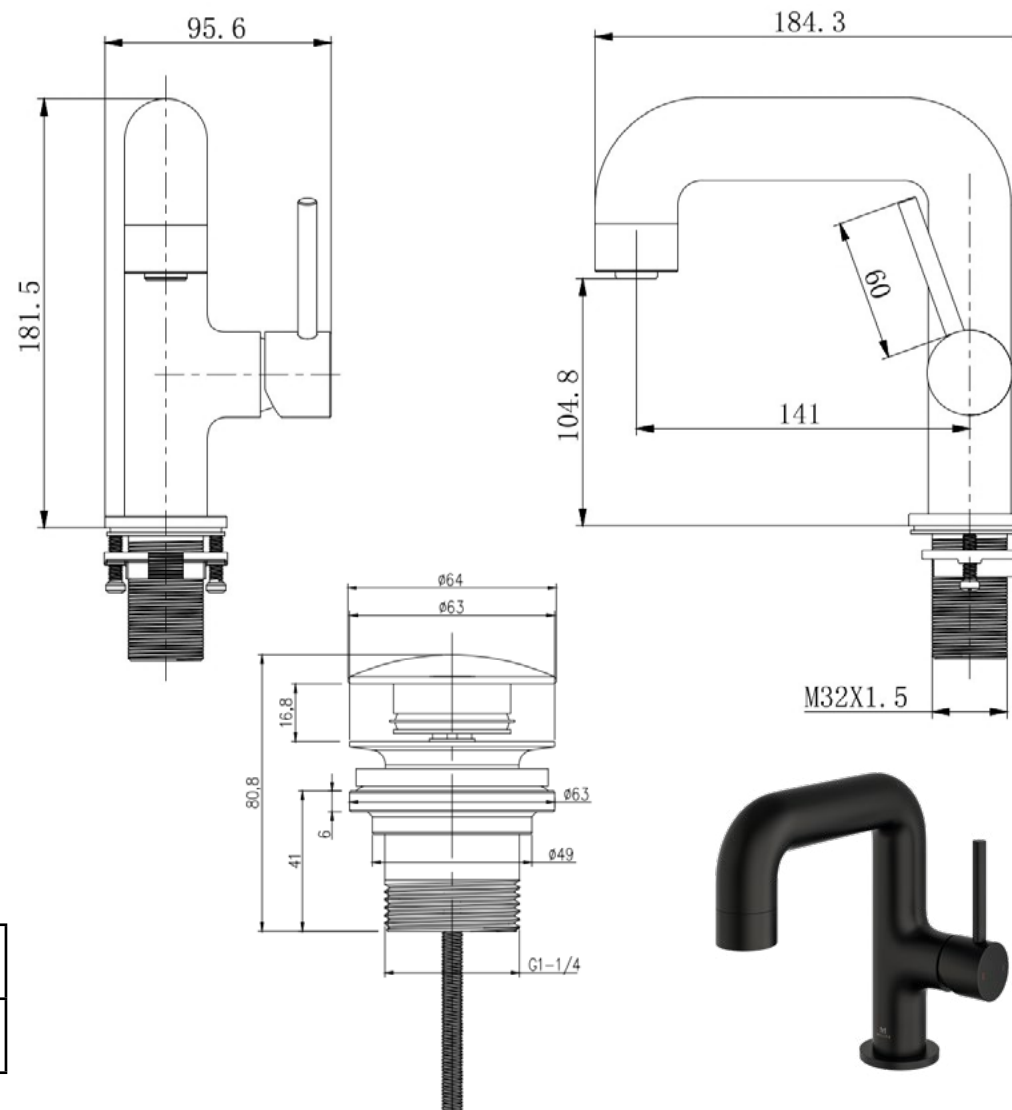


# Ryver - Black Side Lever Basin Mono c/w Universal Waste

<b>CONSTRUCTION</b>	Brass Body
<b>FINISHES</b>	Matt Black Electro Plated Finish
<b>PRODUCT TYPE</b>	Contemporary
<b>WATER PRESSURE</b>	Min. 0.5 Bar, Max. 6.0 Bar
<b>PLUMBING SYSTEMS</b>	Suitable for all plumbing systems, Hot and Cold water pressure preferably balanced. Max. supply pressure differential requirement no greater than 5:1
<b>STANDARDS</b>	Complies with BS 6920, BS EN 200
<b>CERTIFICATION</b>	Manufactured to Comply with WRAS (approval pending)
<b>CARTRIDGE</b>	Citec Cartridge
<b>AERATOR</b>	Neoperl Aerator
<b>FITTING</b>	Easy Fit Lock Nut
<b>FLEXI TAILS</b>	Tucaí WRAS
<b>WASTE</b>	Universal Waste
<b>MORE INFO</b>	Screw in Brass Base Ring 5mm



## Flow Rates (Litres per minute)

SYSTEM PRESSURE	0.1 Bar	0.2 Bar	0.3 Bar	0.5 Bar	1.0 Bar	1.5 Bar	2.0 Bar	3.0 Bar	4.0 Bar	5.0 Bar
	2.18	-	3.54	4.52	6.34	-	8.89	10.91	12.62	14.07

The information contained on this page was correct at date of issue. Fitting dimensions are provided as a guide only. Some variation may occur due to manufacturing tolerances. We pursue a policy of continuing improvement in design and performance of our products and so reserve the right to change specifications without prior notice.